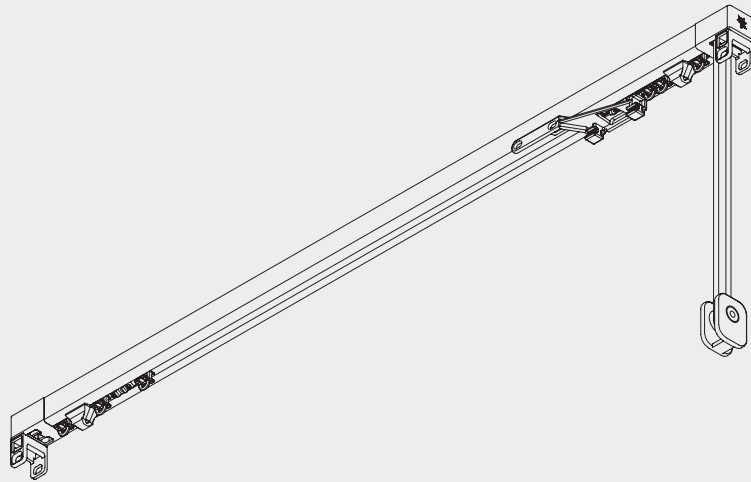


## Cord Operated Curtain Track System

# Silent Gliss® 3870



### Product Information

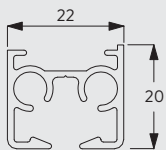
- Operation: cord drawn
- Range: M
- Fitting: ceiling, wall, recess
- Colours: white, matt white, silver anodised, anodic grey, charcoal and antique bronze
- Shape: square shaped
- 2C glider technology
- Wave compatible
- Bendable (including recess profile)
- Complies with safety norms EN 13120, EN 16433 and EN 16434



3870

## Profile and Bending Information

### Profile

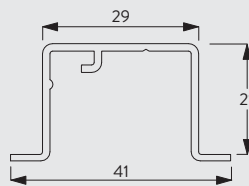


11190



Radius: >26 cm

### Recess profile

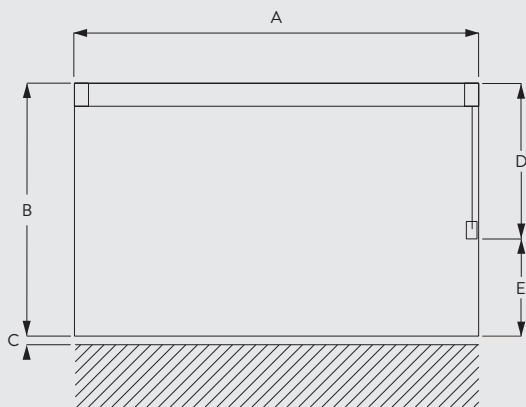


11230



Radius: >50 cm

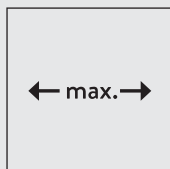
## How To Measure



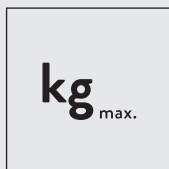
- A: System width
- B: System height
- C: Distance between floor and fabric
- D: cord height
- E: Safety retainer SG 10400 min. 150 cm above floor

## System Dimensions

3870

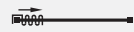

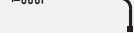
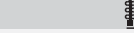



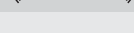


6 m



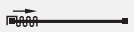

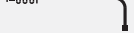
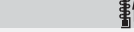



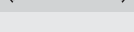
14 kg

## Max. Curtain Weight Chart - 2C Glider

	2 m	4 m	6 m
	12	11	10
	14	13	12
	9	8	7
	10	9	6
	6	5	4
	7	6	5
	5	4	3
	6	5	4

(kg max.)

## Max. Curtain Weight Chart Wave and Roller Glider

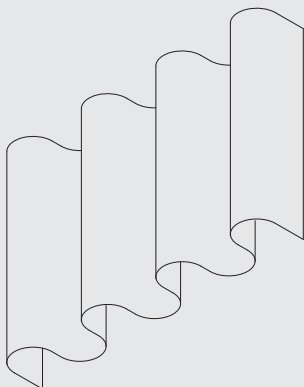
	2 m	4 m	6 m
	5	8	7
	5	8	8
	5	6	5
	5	6	6
	4	3	2
	4	4	3
	3	2	1
	3	3	2

(kg max.)

Straight tracks can be extended beyond 6m by using a connecting bridge.

## System Options

### Wave Curtain Heading System



Wave is a contemporary curtain heading system which allows curtains to hang in a continuous wave which is smooth, simple and elegant.

When using the Wave curtain heading system please note the maximum recommended curtain weight is 2.5kg/m. A greater weight may be achieved using wave roller glider 6099 (refer to System Dimensions).

The Wave standard components are:

- 11303 Glider Cord 60mm
- 11302 Glider Cord 80mm
- 6007 End stop
- 6315 Pilot runner

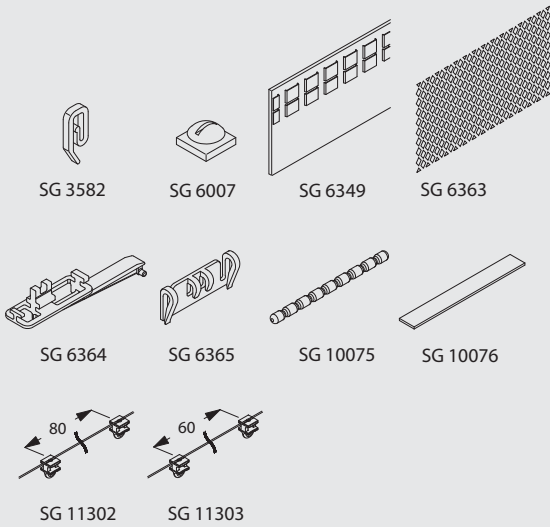
The items listed below for Enhanced Wave (80mm glider cord only) are all supplied at an additional cost as per the price list.

- 2255 Adjustable brake
- 6364 Extension (used with 6365)
- 6365 Hanger (used with 6364)
- 6366 Carrier for draw rod

Roller Gliders must be ordered separately  
6099 Wave roller glider 80mm

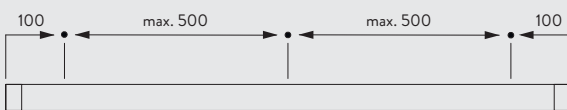
Optional components to improve the presentation of the curtain:

- 3582 Hook
- 6349 Curtain tape
- 6363 Iron-on top hemming tape
- 10075 Lead weight for hem of curtain 50gr/m
- 10076 Fabric weight for side edge of curtain



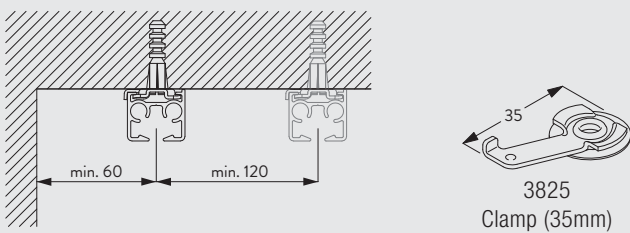
## Fitting Information

### Fixing Points

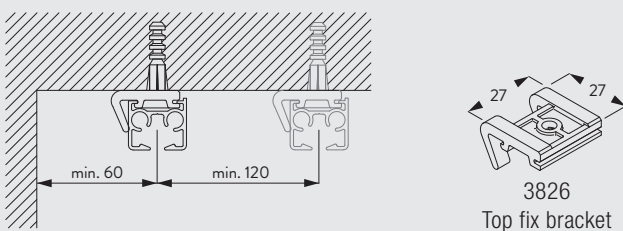


## Fitting Options

### Ceiling fitting with clamp SG 3825



### Ceiling fitting with bracket SG 3826



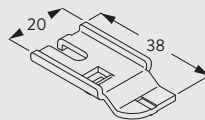
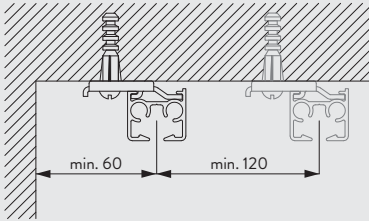
Supplied by

**SG-S** | Silent Gliss Spares  
Silent Gliss Systems

www.sg-s.co.uk email: sales@sg-s.co.uk tel: 01395 232528

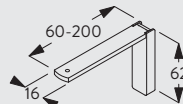
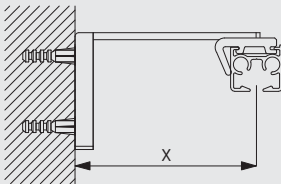
Silent Gliss®

### Ceiling fitting with bracket SG 3832

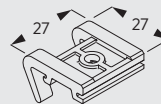


3832  
Twist clamp

### Wall fitting with Smart Fix SG 11200-11205 and bracket SG 3826



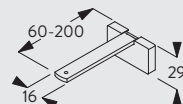
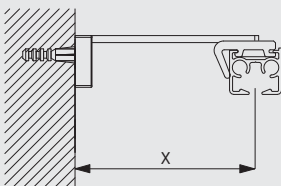
11200-05  
Smart Fix (60-200  
mm)



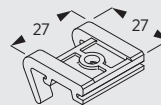
3826  
Top fix bracket

Brackets threaded for screw M4 x 8

### Wall fitting with Square Smart Fix SG 11210-11215 and bracket SG 3826



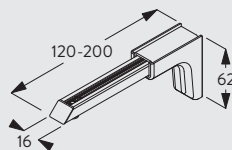
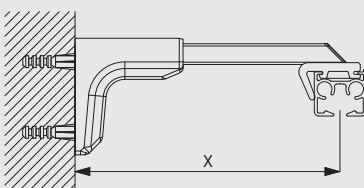
11210-15  
Square Smart Fix  
(60-200 mm)



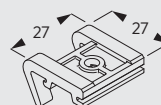
3826  
Top fix bracket

Brackets threaded for screw M4 x 8

### Wall fitting with Universal Smart Fix SG 11154-11156 and bracket SG 3826

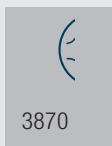


11154-56  
Universal Smart Fix  
(120-200 mm)



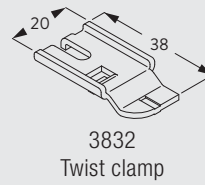
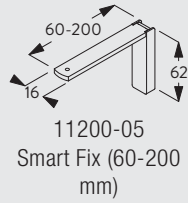
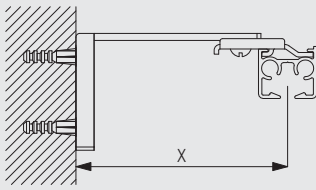
3826  
Top fix bracket

Brackets threaded for screw M4 x 8



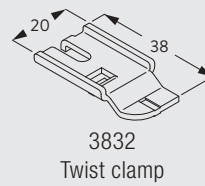
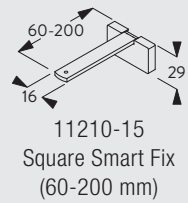
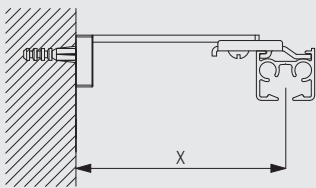
3870

### Wall fitting with Smart Fix SG 11200-11205 and bracket SG 3832



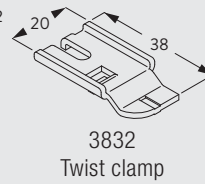
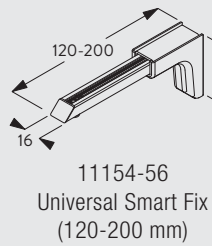
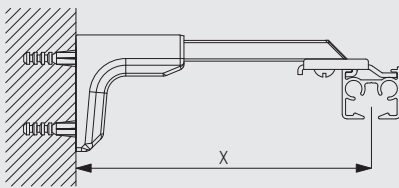
Brackets threaded for screw M4 x 8

### Wall fitting with Square Smart Fix SG 11210-11215 and bracket SG 3832



Brackets threaded for screw M4 x 8

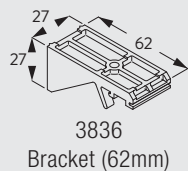
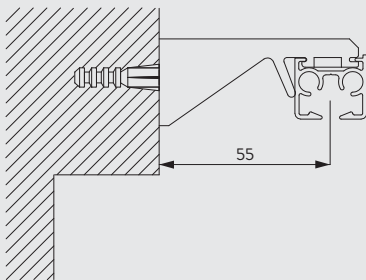
### Wall fitting with Universal Smart Fix SG 11154-11156 and bracket SG 3832



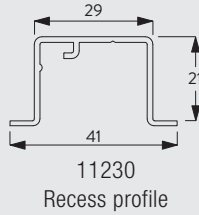
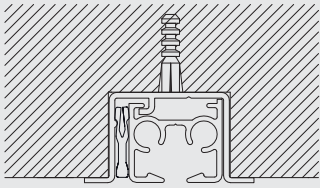
3870

Brackets threaded for screw M4 x 8

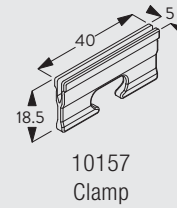
### Wall fitting with bracket SG 3836



## Recess fitting with recess profile SG 11230



11238  
Recess Mask



### Standard Accessories

3090 Cord (ø 3.5mm)



3825 Clamp (35mm)



6086 Spring stop



6288 Overlap arm



10400 Safety Cord Retainer



11190 Profile



11285 Guide set



11301 2C glider 11300 on strip (x20)



### Optional Accessories

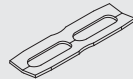
3582 Hook



3599 Hook



3802 Connecting bridge



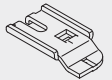
3825 Clamp (35mm)



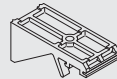
3826 Top fix bracket



3832 Twist clamp



3836 Bracket (62mm)



6053 Spring stop



6063 Metal overlap arm



6064 Screw twist endstop



6065 Twist eye endstop



6082 Glider



6098 Roller glider with eye



6283 Roller glider



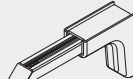
10157 Clamp



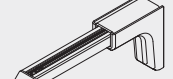
10407 Pan head screw M4x10

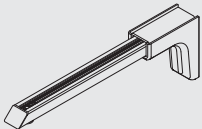
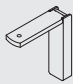
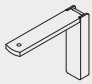
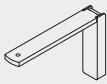
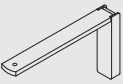

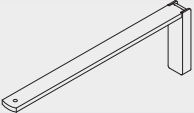
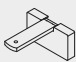
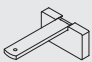
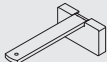
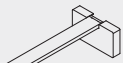

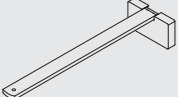
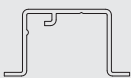
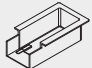


11154 Universal Smart Fix, 120 mm set



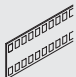

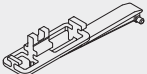
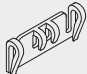
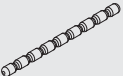





11155 Universal Smart Fix, 150 mm set



11156	Universal Smart Fix, 200 mm set		11200	Smart Fix, 60 mm set	
11201	Smart Fix, 80 mm set		11202	Smart Fix, 100 mm set	
11203	Smart Fix, 120 mm set		11204	Smart Fix, 150 mm set	
11205	Smart Fix, 200 mm set		11210	Square Smart Fix, 60 mm set	
11211	Square Smart Fix, 80 mm set		11212	Square Smart Fix, 100 mm set	
11213	Square Smart Fix, 120 mm set		11214	Square Smart Fix, 150 mm set	
11215	Square Smart Fix, 200 mm set		11230	Recess profile	
11238	Recess Mask				

## Wave Accessories

6007	Endstop		6099	Wave roller glider cord (80mm)	
6349	Curtain tape		6363	Top hemming tape	
6364	Extension		6365	Hanger	
10075	Lead weight 50 gr/m		10076	Fabric weight	
11302	Wave 2C glider cord 80 mm		11303	Wave 2C glider cord 60 mm	

3870



Supplied by



[www.sg-s.co.uk](http://www.sg-s.co.uk) email: [sales@sg-s.co.uk](mailto:sales@sg-s.co.uk) tel: 01395 232528

[www.silentgliss.co.uk](http://www.silentgliss.co.uk)

[www.silentglissglobal.com](http://www.silentglissglobal.com)

Silent Gliss Ltd  
Pyramid Business Park  
Poorhole Lane  
Broadstairs  
Kent  
CT10 2PT  
Great Britain

Tel: +44 (0) 1843 863571  
Fax: +44 (0) 1843 864503  
[info@silentgliss.co.uk](mailto:info@silentgliss.co.uk)

Silent Gliss Global Ltd  
Pyramid Business Park  
Poorhole Lane  
Broadstairs  
Kent  
CT10 2PT  
Great Britain

Tel: +44 (0) 1843 874250  
Fax: +44 (0) 1843 874457  
[info@silentglissglobal.com](mailto:info@silentglissglobal.com)