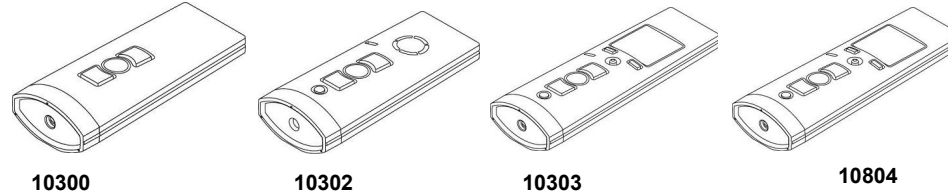
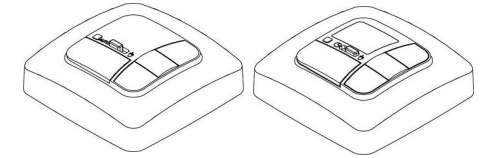


Transmitters



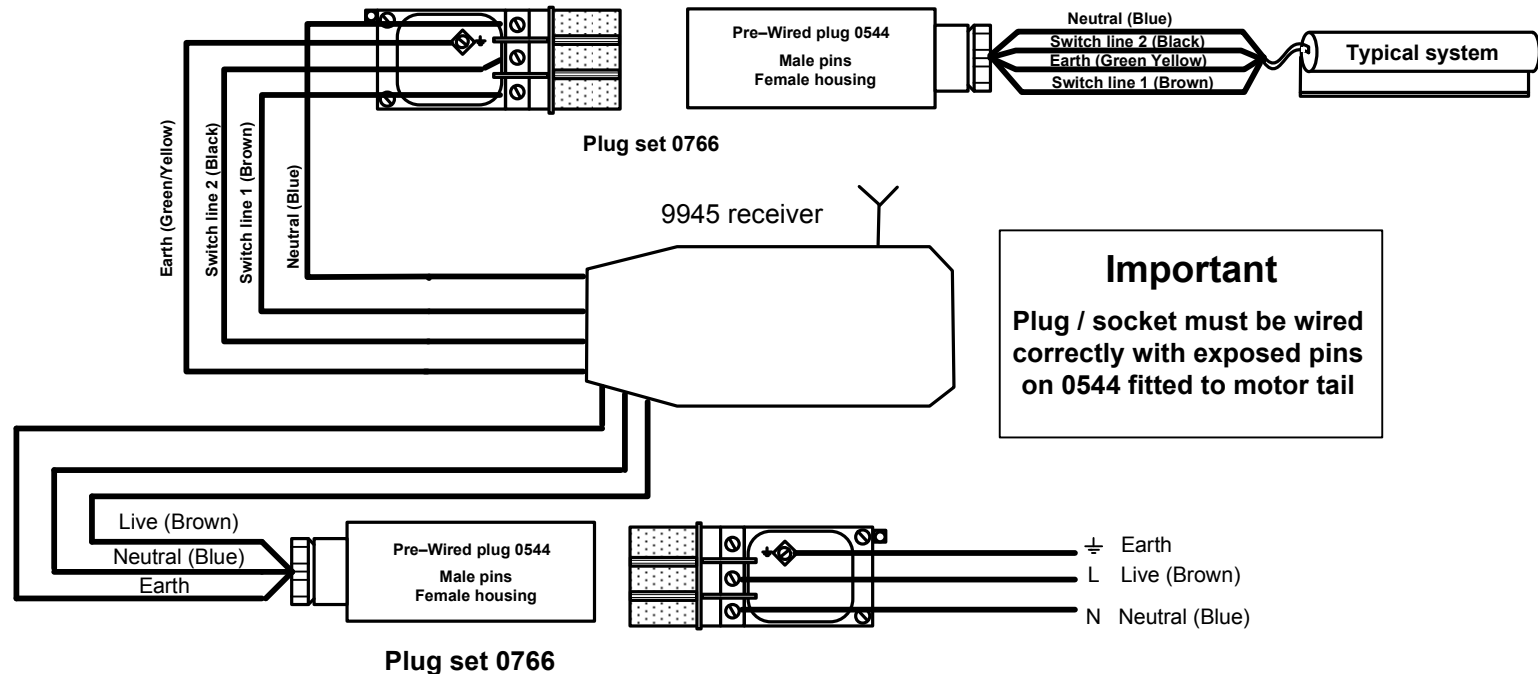
Switches



Refer to separate instructions for set-up and commissioning of radio controls

Supplied by
SG-S | Silent Gliss Spares
 Silent Gliss Systems
 www.sg-s.co.uk email: sales@sg-s.co.uk
 Tel: 0330 1272002 - 01395 232528

Female pins
 Male Housing
 0546



Important
 Plug / socket must be wired correctly with exposed pins on 0544 fitted to motor tail

System Motor Ratings (230v)

2195	0.6 amp
2350	0.80 amp
4760	0.80 amp
4770	0.80 amp
4780	0.80 amp
4960	0.80 amp
4870	0.80 amp
4880	0.90 amp
5800	2.20 amp
8600	0.66 amp
8640	1.00 amp

Silent Gliss Ltd
 Poorhole Lane.
 Broadstairs
 Kent CT10 2PT
 Tel 01843 863571
 Fax 01843 864503
 E-mail: info@silentgliss.co.uk
 Web site: www.silentgliss.co.uk

Silent Gliss Radio Control System 9940 – 9945 Receiver
Systems 2195, 2350, 4760/70/80, 4960, 4870, 4880, 5800, 8600,
8640
1 motor per receiver

Drawing Number
E 602
 Issue Date 04-01-18