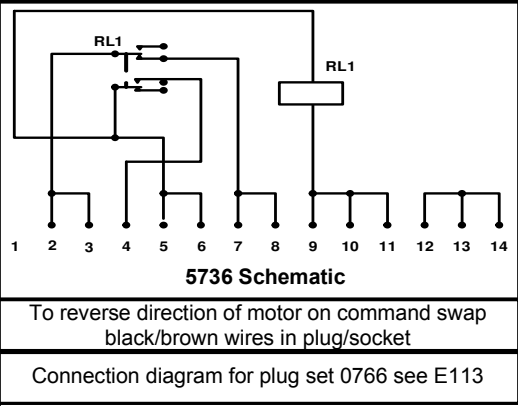
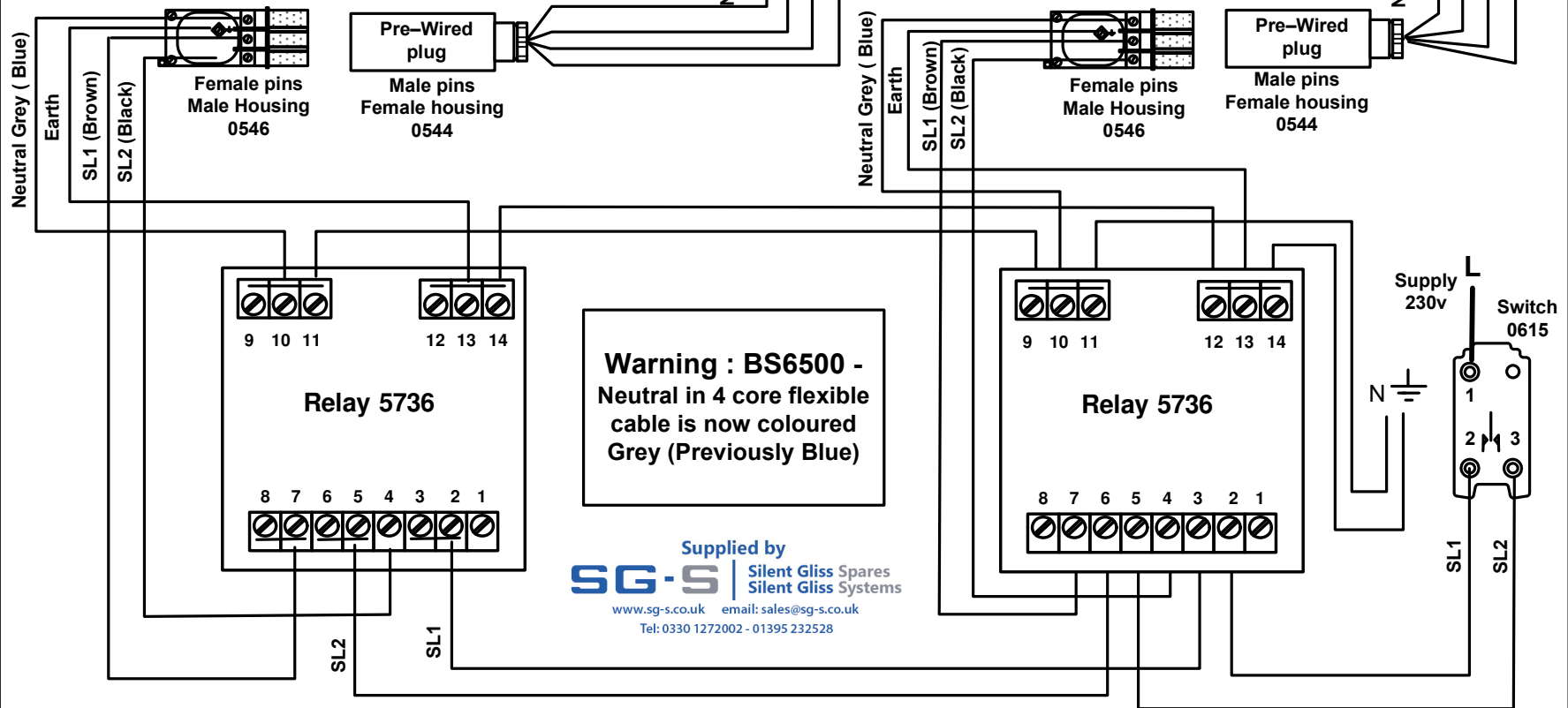
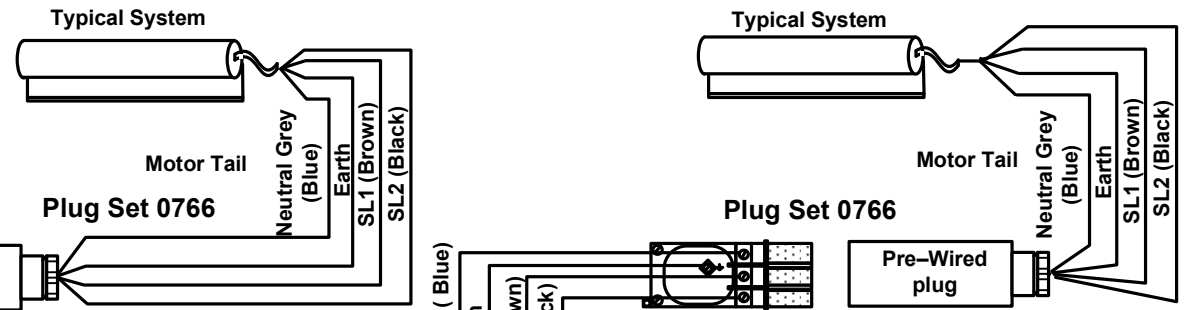


System Motor Ratings(230v)

2195 - 0.6 amp
 5800 - 2.2 amp
 8600 - 0.66 amp
 8640 - 1.00 amp



Important
 Plug / socket must be wired correctly with exposed pins on 0544 fitted to motor tail



All printed & electronically distributed copies of this drawing are uncontrolled copies

Silent Gliss Ltd
 Poorhole Lane.
 Broadstairs
 Kent CT10 2PT
 Tel 01843 863571
 Fax 01843 864503
 E-mail: info@silentgliss.co.uk
 Web site: www.silentgliss.co.uk

2 or more Motors from 1 Switch Simultaneously
Systems 2195, 5800, 8600, 8640
 (Motors must not be wired directly in parallel.)
 System 8960 requires individual control to ensure alignment of slats in banked blinds

Drawing Number
E 102
Issue Date 04-01-18