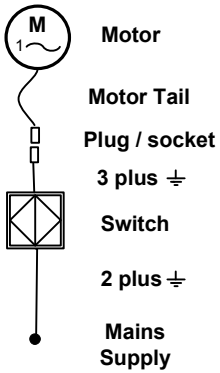
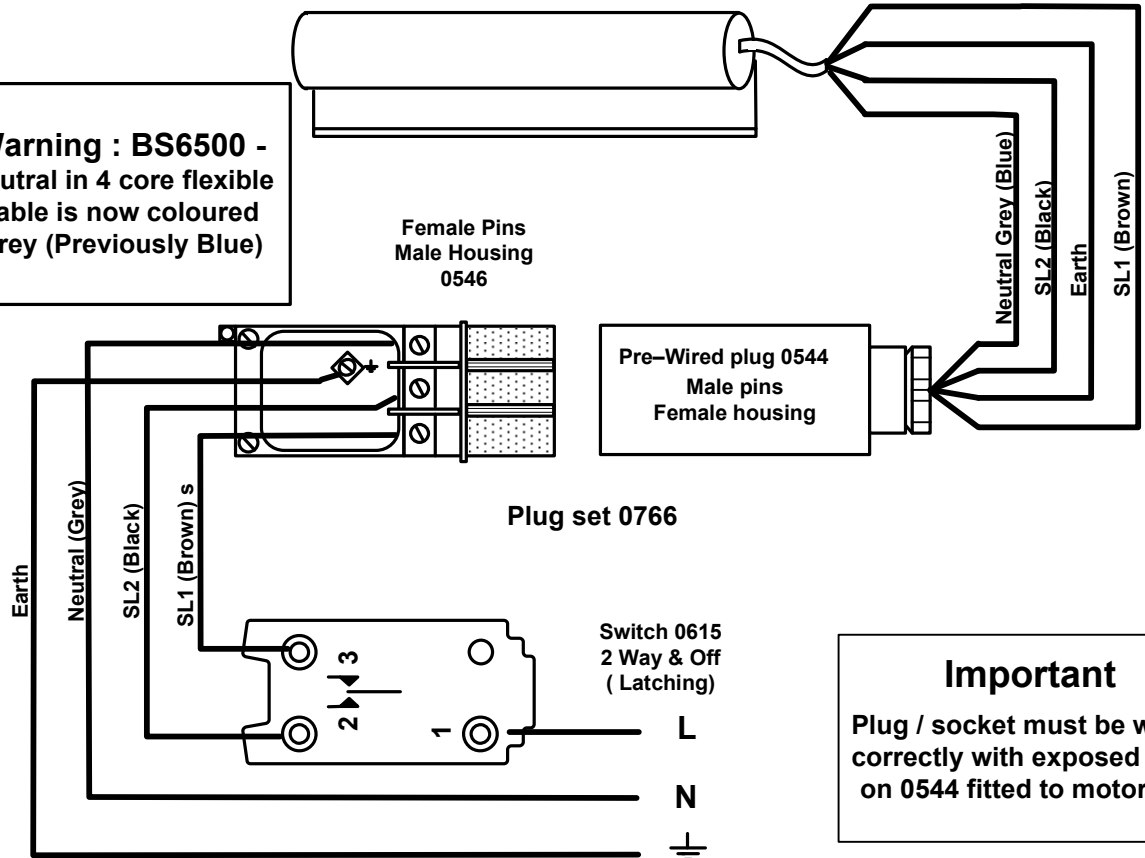


**Multiple motors must not be wired in parallel to this diagram - See E102 & E103
Product specific**

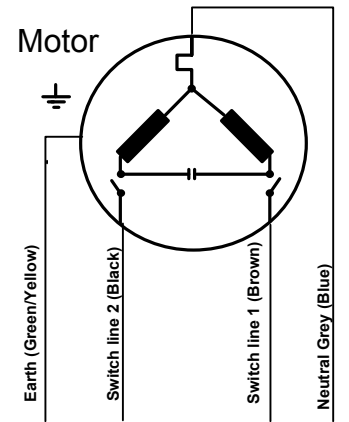


Warning : BS6500 - Neutral in 4 core flexible cable is now coloured Grey (Previously Blue)



Important
Plug / socket must be wired correctly with exposed pins on 0544 fitted to motor tail

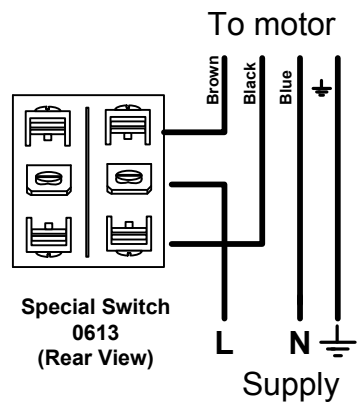
Supplied by
SG-S | Silent Gliss Spares
Silent Gliss Systems
www.sg-s.co.uk email: sales@sg-s.co.uk
Tel: 0330 1272002 - 01395 232528



To reverse direction on command
Swap SL1 & SL2 at plug

System Motor Ratings(230v)

- 2195 - 0.6 amp
- 2350 - 0.8 amp
- 4760 - 0.8 amp
- 4770 - 0.8 amp
- 4780 - 0.8 amp
- 4960 - 0.8 amp
- 4870 - 0.8 amp
- 4880 - 0.90 amp
- 5800 - 2.2 amp
- 8600 - 0.66 amp
- 8640 - 1.00 amp
- 8960 - 0.50 amp



Systems 8800 & 8960 Only
Individual system control recommended

Silent Gliss Ltd
Poorhole Lane.
Broadstairs
Kent CT10 2PT
Tel 01843 863571
Fax 01843 864503
E-mail: info@silentgliss.co.uk
Web site: www.silentgliss.co.uk

1 Motor from 1 Switch
Systems 2195, 2350, 4760/70/80, 4960, 4870, 4880, 5800, 8600, 8640, 8960

Drawing Number
E 101
Issue Date 04-01-18