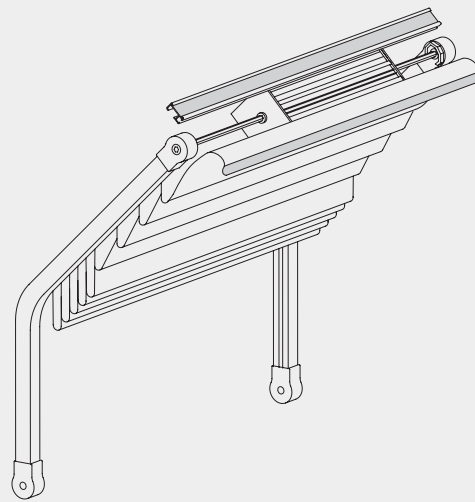


Motorised Wintergarden System

Silent Gliss® 2195



Product Information

- Electrically operated system for domestic or contract use
- Pleasing Roman blind effect with Silent Gliss technical or decorative fabrics or customers' own material
- Blinds can be single, double or triple operation from one motor to correspond to window bays
- Horizontal, sloping, bent and arched applications
- Can be operated via fixed switch or radio remote control
- Side guide profile standard colours: silver, white, bronze, gold and black
- Can be operated by fixed switch or combined with Radio Remote Control System Silent Gliss 9940/0450



2195

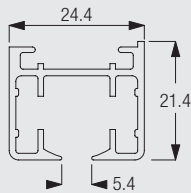
Supplied by

SG-S | Silent Gliss Spares
Silent Gliss Systems

www.sg-s.co.uk email: sales@sg-s.co.uk tel: 01395 232528

Profile, Bending and Specification Information

Side Guide Profile

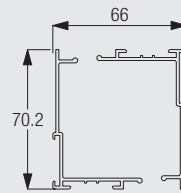


2191



Min. radius 200 mm

Profile 2151 for motor cover



2151



Cannot be bent

Specification Information - download from www.silentgliss.co.uk (password required).

2195 electrically operated Wintergarden system ready assembled with motor enclosed headbox 2151 complete with drive shafts, side guide channels and cross rods for blinds. Side guide channels to be fixed at 80-100cm centres and headbox to be fixed with 3004 clamps. off.....wide x drop (girth) guide channels, side channels each benttimes with cross rods atcm intervals.

System Dimensions



3m (single)
6m (double)
6m (triple)



6m (all systems)



25kg (all systems)



18sqm (single)
30sqm (double)
36sqm (triple)

Maximum size and weight chart

| 2195 | | kg max. | A | B | 2195 | | kg max. | A | B |
|------|--|---------|-----|-----|------|--|---------|-----|-----|
| | | 18 | 3 m | 6 m | | | 18 | 3 m | 6 m |
| | | 18 | 6 m | 6 m | | | 18 | 6 m | 6 m |
| | | 18 | 6 m | 5 m | | | 18 | 6 m | 6 m |
| | | 25 | 3 m | 6 m | | | 18 | 3 m | 6 m |
| | | 25 | 6 m | 6 m | | | 18 | 6 m | 5 m |
| | | 25 | 6 m | 6 m | | | 18 | 6 m | 5 m |
| | | 25 | 3 m | 6 m | | | 10 | 3 m | 4 m |
| | | 25 | 6 m | 6 m | | | 10 | 6 m | 4 m |
| | | 25 | 6 m | 6 m | | | 10 | 6 m | 3 m |

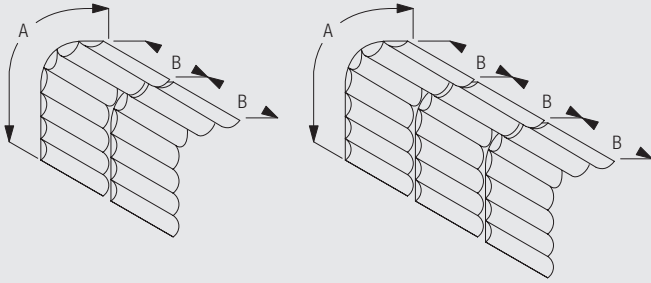
Sloped versions: max. inclination 45°

The system dimensions depend on the number of connected systems, the application and the total fabric weight (including cross bars: 2579 - 0.146kg per m, 2248 - 0.32kg per m). Systems over 2.5m must use 2248 heavy duty cross rod. In double or treble systems where one of the systems is over 2.5m, then all covers must use 2248 cross rod.

When a full arch the system must be centre opening.

System Options

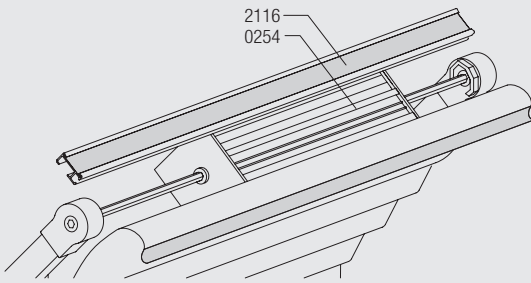
Connected systems



Maximum of three bays can be connected to one system. The maximum system sizes are indicated in the chart under system dimensions.

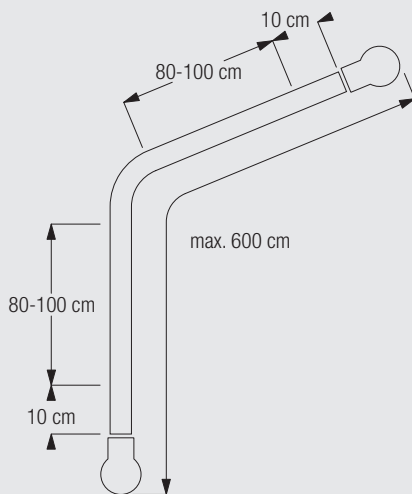
Please note that the sections can be asymmetrical but a bay can never exceed a total width of 3m.

Motor cassette 2151 and Velcro profile 2116



Fitting Information

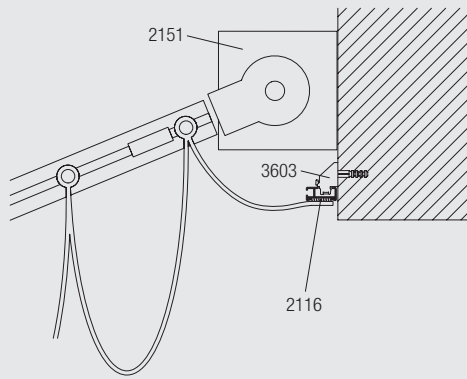
Bracket positioning



2195

Please fix the last bracket as close as possible (max. 10cm) to the guide return.

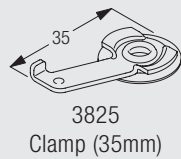
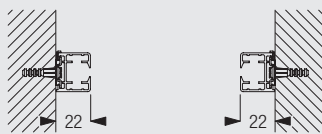
Fixing the end of the fabric



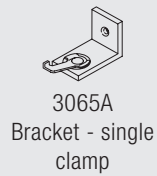
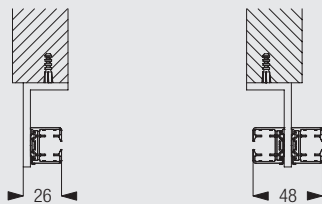
Fixing of fabric to Velcro profile 2116

Fitting Options

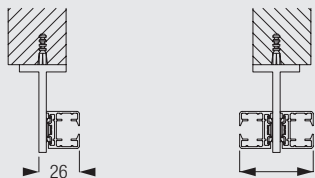
Inside reveal fix with clamp 3825



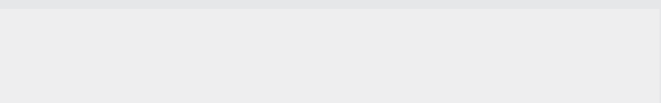
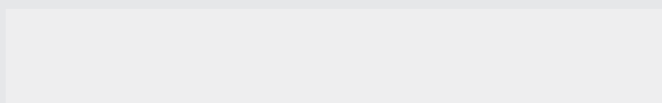
Outside reveal fix with clamp 3065a



Outside reveal fix with clamp 3066a



Standard Accessories



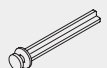
2111 Hexagonal bar



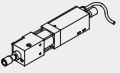
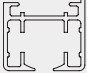
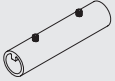
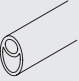
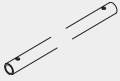

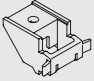

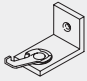


2116 Velcro profile



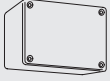
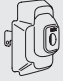
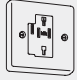


2145 Glider

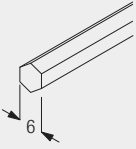
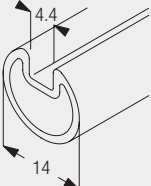


| | | | | | |
|-------|------------------------|---|------|----------------------|---|
| 2151 | Profile |  | 2156 | Drive shaft |  |
| 2160 | Motor |  | 2191 | Profile |  |
| 2242 | Connector |  | 2248 | Heavy duty cross rod |  |
| 2759 | Crossrod |  | 3004 | Clamp |  |
| 3603 | Top fix bracket |  | 3825 | Clamp (35mm) |  |
| 3065A | Bracket - single clamp |  | | | |

Optional Accessories

| | | | | | |
|------|--------------|---|------|-----------------------------------|--|
| 0578 | Pattress box |  | 0615 | Latching switch inc. pattress box |  |
| 5736 | Relay socket |  | 5741 | Klik plug |  |
| 5742 | Klik socket |  | | | |

Useful Measurements

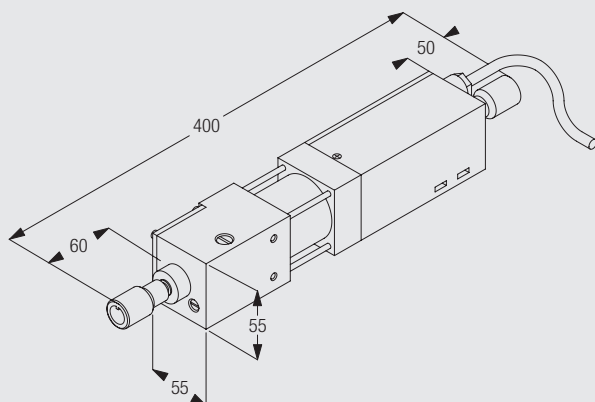
| | | | | | |
|------|---------------|---|------|-------------|---|
| 2111 | Hexagonal bar |  | 2156 | Drive shaft |  |
|------|---------------|---|------|-------------|---|



2195

Motors and Controls

Motor Silent Gliss 2160 - Single Bay



- Torque: 6Nm
- Voltage: 230V/115V
- Frequency: 50Hz/60Hz
- Power: 150W/145W
- Current: 0.7A/1.4A
- Speed: 23rpm/26rpm
- Thermal overload protection
- CEE Standard
- Mechanical end stop
- Weight: 2kg

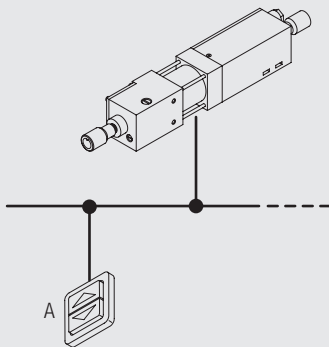
Motor Silent Gliss 2160 - Multiple Bays

- Note: Drawing as per 2160 above except that overall length is 375mm (instead of 400mm)
- Torque: 10Nm
- Voltage: 230V
- Frequency: 50Hz
- Power: 120W
- Current: 0.53A
- Speed: 26rpm
- Thermal overload protection
- CEE Standard
- Mechanical end stop
- Weight: 1.8kg

The Silent Gliss 2160 motor is an interference-free motor, designed to offer top performance in regard to strength and reliability. The entire motor is integrated into the profile cover.

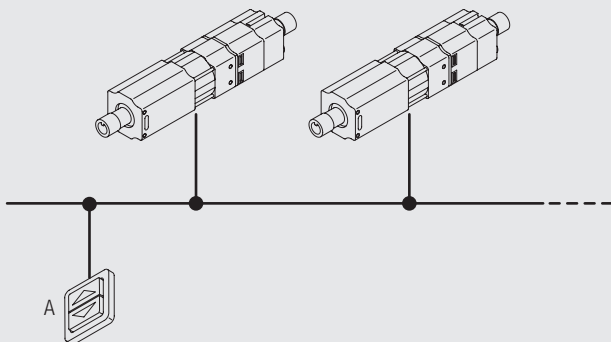
Operating Methods - Single and Multiple Bays

Operation via fixed switch (single system)



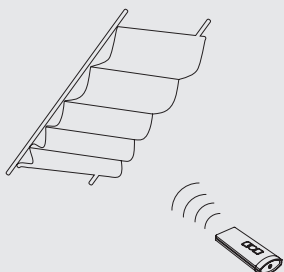
A: 230V/115V
All cabling between switch and motor is to be 3 core + earth

Operation via fixed switch (multiple systems)



A: 230V/115V
R: Relay
All cabling between switch and motor is to be 3 core + earth

Operation with radio controls systems 9940/0450



System can be combined with Radio Remote Control Systems Silent Gliss 9940/0450. For further details, please refer to catalogue section "Motors & Controls".

Wiring and Connections

Important: Wiring diagrams are available on the Silent Gliss website www.silentgliss.co.uk (password required). Please contact Silent Gliss for information on access.



2195

Supplied by



www.sg-s.co.uk email: sales@sg-s.co.uk tel: 01395 232528

www.silentgliss.co.uk

www.silentglissglobal.com

Silent Gliss Ltd
Pyramid Business Park
Poorhole Lane
Broadstairs
Kent
CT10 2PT
Great Britain

Tel: +44 (0) 1843 863571
Fax: +44 (0) 1843 864503
info@silentgliss.co.uk

Silent Gliss Global Ltd
Pyramid Business Park
Poorhole Lane
Broadstairs
Kent
CT10 2PT
Great Britain

Tel: +44 (0) 1843 874250
Fax: +44 (0) 1843 874457
info@silentglissglobal.com