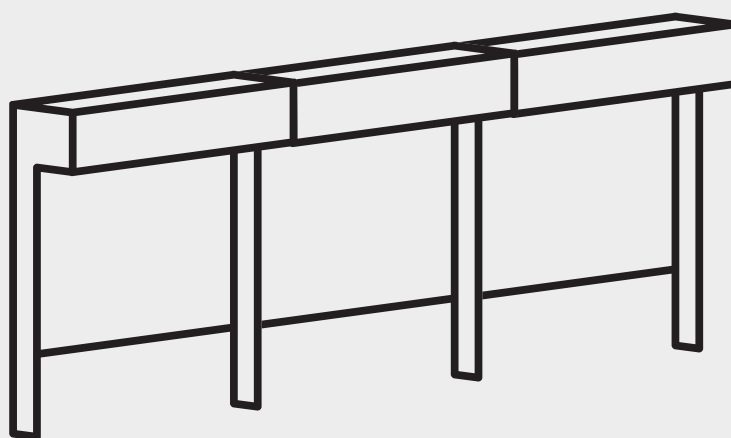


## Dim-Out Roller Blind Systems

# Silent Gliss® 4560 / 4570 / 4580

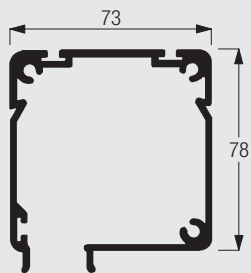


### Product Information

- Chain (4560), crank (4570) or electrically (4580) operated multiple dim-out roller blind systems.
- Can cover up to four windows side-by-side with only one operating mechanism.
- Choice of three side profiles depending on installation requirements.  
Standard are double adjustable inside recess rails to allow for variations in framework of drop.
- Optional outside recess fixed profile.
- All fabrics are sealed and riveted down the sides to prevent fabric from coming out of the profiles.
- Black or white profile as standard; silver and colours to special quote.  
Plastic components are black or white in all cases.
- Choice of FR blackout fabrics. System can also be used as a flyscreen.
- Delivered ready-assembled made-to-measure.

4560  
4570  
4580

## Profile and Bending Information



4503

## How to Measure

Measurements for Silent Gliss Dim-Out Systems should be undertaken by a fully trained dim-out specialist.

## System Dimensions



Chain 300cm  
Crank 400cm  
Electric 500cm

Chain 30cm  
Crank 30cm  
Electric 50cm

Chain 300cm  
Crank 300cm  
Electric 300cm

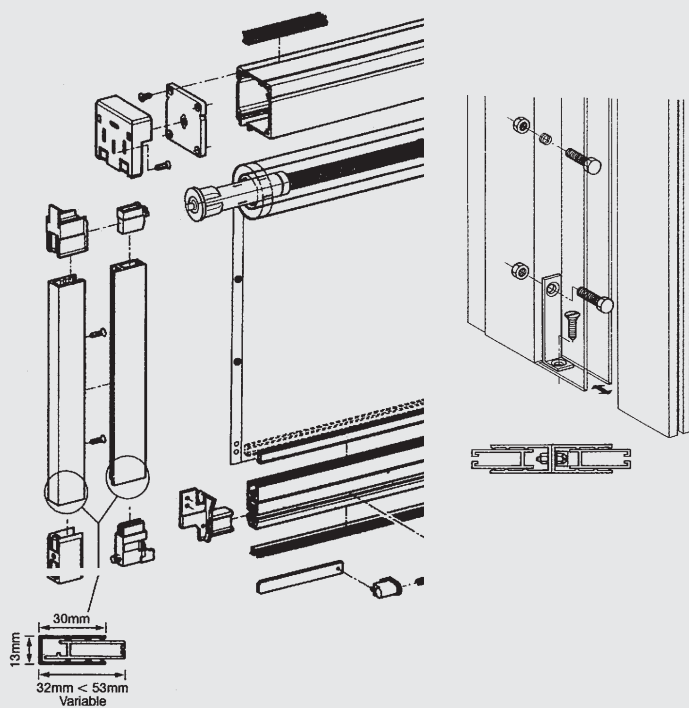
Chain 5 m²  
Crank 12 m²  
Electric 15 m²

## Fitting Options

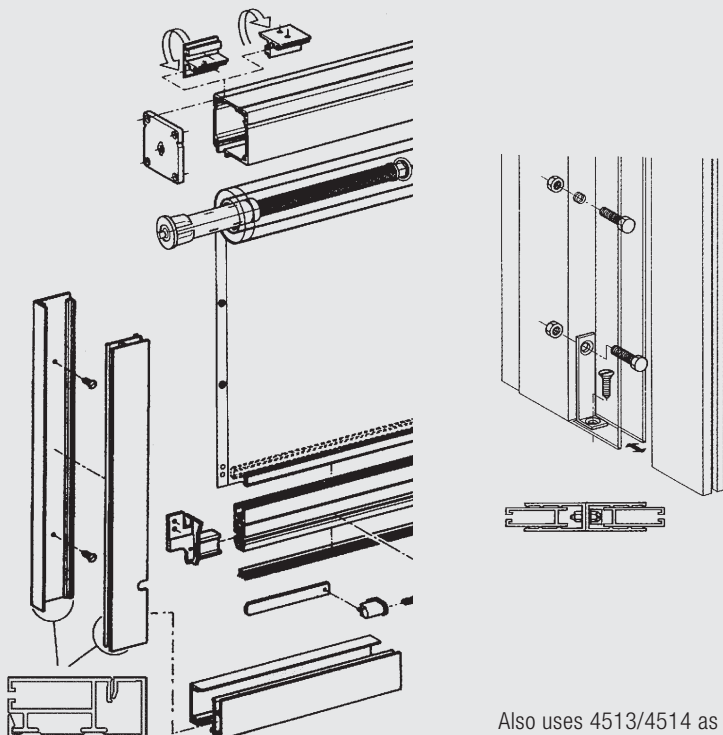
Inside recess fix with adjustable side profiles 4511-12.



4560  
4570  
4580



Outside recess fix with side profiles 4513-14.

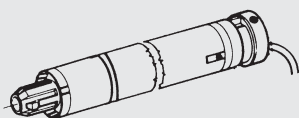


Also uses 4513/4514 as a bottom guide

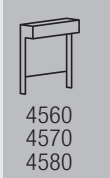
Heavy duty profiles are not normally recommended for multiple dim-out blind systems due to the width of the profiles themselves. If this is a particular requirement please enquire at Silent Gliss.

### Motors and Controls

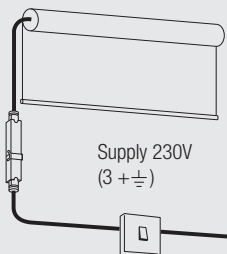
#### Motor 4575 for System 4580



- Torque: 4 Nm
- Voltage: 230V/120V
- Frequency: 50Hz/60Hz
- Power: 65W/85W
- Current: 0.38A/0.85A
- Speed: 3cm per second approx.
- Thermal overload protection
- CE Standard
- Mechanical end stop
- Double insulated/no earth required

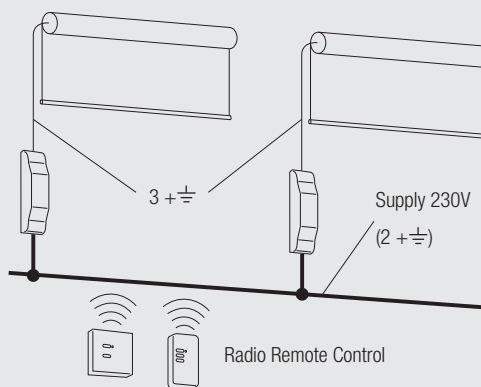


#### Operating method – Fixed Switch



Mains switching

## Operating method – radio control (with fixed switch and/or hand-held remote)



Details of radio control parts and accessories can be found within the Switches section of the catalogue.

### Accessories

0578	Patress box (for 5742)		0615	Switch	
4528	Steel bracket (for 4503)		4531	Wall fix bracket	
4536	Right inside recess bracket (for 4503)		4537	Left inside recess bracket (for 4503)	
4541	Ceiling fix bracket (for 4503)		5736	Surface relay socket	
5741	Plug		5742	Socket	



4560  
4570  
4580