



PRICE LIST

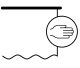
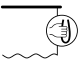
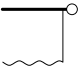
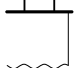
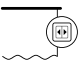


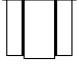
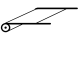
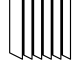
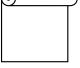


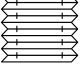




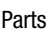

RECOMMENDED RETAIL PRICES
EXCLUDING VAT
JANUARY 2026





This price list is intended to give comprehensive price information on all systems and on all components used with them. Its format follows that of the main Silent Gliss catalogue. Accessories usable with any given system should appear underneath that system.

Index

-  **Hand Operated Curtain Track Systems**
SG 1025, SG 1070, SG 1080, SG 1090, SG 1280, SG 6010, SG 6290, SG 6243, SG 6293, SG 6380, SG 6465, SG 6840, SG 6870, SG 6970
Pages: 2-8
-  **Cord Operated Curtain Track Systems**
SG 3000, SG 3840, SG 3870, SG 3900, SG 3970, SG 6370
Pages: 9-12
-  **Metropole**
SG 7600, SG 7610, SG 7620, SG 7630, SG 7640, SG 7650, SG 7605
Pages: 13-21
-  **Room divider / Cubicle Track Systems**
SG 6100, SG 6103, SG 6650
Pages: 22-23
-  **Electric Curtain Track Systems**
SG 5100B, SG 5100R, SG 5100T, SG 5100TC, SG 5600
Pages: 24-25
-  **Switches and Controls**
Control R, Control N, SMART, Control A
Page: 26
-  **Roman Blind Systems**
SG 2120, SG 2305, SG 2355, SG 2360, Made-to-measure Roman Blinds
Pages: 27-29
-  **Panel Glide Systems**
SG 2700, SG 2730
Page: 30
-  **Skylight Shading Systems**
SG 2190, SG 2195, SG 8600, SG 8640
Page: 31-33
-  **Vertical Blind Systems**
SG 2910, SG 2960
Pages: 34-37
-  **Roller Blind Systems**
SG 4900, SG 4910, SG 4930, SG 4940, SG 4945, SG 4955, SG 4960, SG 4970, SG 4980, SG 4985, Application chart, Fascia pricing tables
Pages: 38-51
-  **Dim-Out Blind Systems**
SG 4710, SG 4730, SG 4740, SG 4760, SG 4770, SG 4780
Pages: 52-55
-  **Venetian Blind Systems**
SG 8110 (16mm), SG 8110PC (25mm), SG 8250, SG 8300, SG 8910, SG 8960
Pages: 56-65
-  **Pleated Blind Systems**
SG 8500
Pages: 66
-  **Digital Printing/Special Colours (profile/components)**
Page: 67
-  **Wave Curtains**
Page: 68
-  **Swiss Pleat Curtains**
Page: 69
-  **Single Pleat Curtains**
Page 70
-  **Pencil Pleat Curtains**
Page 71
-  **Parts** **Parts Index/Tools & Packaging/Application Chart for switches, remote control and multiple operation of motorised systems/Conditions of Sale** Pages: 72-93

Prices

Prices are maximum recommended Retail Price, not including VAT. Trade discounts applicable vary with product group as detailed below. Each system and item is designated as belonging to one of the following groups:-

Product Group A 1025, 1070, 1080, 1090, 1280, 2120, 2305, 3000, 3600, 3840, 3870, 3900, 5100B, 5100R, 5100T, 5100TC, 6010, 6100, 7600, 7605, 7610, 7620, 7630, 7640, 7650*, 6290, 6243, 6293, 6380, 6465, 6650, 6840, 6870, 6970 made to measure Roman blinds.

Product Group C Control R, 2190, 2195, 2355, 2360, 2700, 2730, 2910, 2960, 3970, 4710, 4730, 4740, 4760, 4770, 4780, 4930, 4940, 4945, 4970, 4980, 4985, 4900, 4910, 4955, 4960, 5600, 6370, 7650*, 8110, 8250, 8300, 8500, 8600, 8640, 8910, 8960, Control N, SMART.

Silent Gliss Fabrics, Laminated blinds. *5100 Version, Product Group A. *5600 Version, Product Group C.

Product Group E Tools, Promotional material.



Hand Operated Curtain Track Systems

SG 1025

Supplied in white and silver. Profile available in 6m lengths.

10cm std.

SG 1070

Supplied in white. Profile available in 6 metre lengths. Top fix as standard.

12cm std.

System Prices			Price Ctg.
Specific lengths charged at the nearest 25cm increment above.			A
cm	Silver £	White £	
125	20.20	32.92	
150	24.29	39.54	
175	28.29	46.09	
200	32.31	52.62	
225	36.39	59.21	
250	40.44	65.73	
275	44.44	72.33	
300	48.52	78.95	
325	52.59	85.54	
350	56.59	92.08	
375	60.58	98.70	
400	64.70	105.27	
425	68.75	111.81	
450	72.75	118.35	
475	76.83	125.08	
500	80.84	131.57	
525	84.90	138.14	
550	89.00	144.72	
575	92.96	151.34	
600	97.02	157.88	

Above prices are for systems ready-assembled. Substantial savings can be made for self-assembly. Rail can be supplied in full lengths or cut-to-size with accessories separately.

Rail and Standard Accessories	Price Ctg.
1025p Rail, silver available in 6m or cut-to-size. White available in 6m or cut-to-size.	A
3533 Glider at 14 per metre. Box, 100. Self-service sachets, 25 x 25. Outer, 25,000.	
3534 Glider, in strip form, at 14 per metre. Outer, 1,000 gliders.	
6835A Screw, 12mm ^{1/2} " No. 4 round head at 300mm centres, 100.	
3016 Endstop, each, 100.	

Optional Accessories	Price Ctg.
(additional charges may apply)	A
3511 Glider, at 16 per metre, 100. Outer, 25,000 gliders.	
3532 Glider, 100. Outer, 5,000.	
3570 Rotating glider, 100.	
3582 Hook, Box, 100. Self-service sachets, 25 x 25. Outer, 1,000. Outer, 20,000.	
3020 Hook, Metal, 100.	
3599 Hook, Box, 100. Self-service sachets, 25 x 25. Outer, 25,000.	
3032 Spring stop, 10, 100.	
3070 Twist eye endstop, each, 10.	
3071 Screw twist endstop, each, 10.	
3562 Standard tape, 100 metres.	
3580 Side mounted glider/hook, 100. Outer, 5,000.	
3571 Hook, Box, 100. Self-service sachets, 25 x 25. Outer, 35,000.	
6835B Screw 24mm/1", 100.	
3548 Retrofit glider, 25, 100, 1000.	
3068A Loop tape, 250 metres.	
10430 - 10434 Draw rods, white, black or aluminium	

Colours	Price Ctg.
Other colours special order - see Page 67.	E

Tools	Price Ctg.
80018 Slotting tool	E
7809 Filler set at 200cm	

Bending	Price Ctg.
Angle bend £39.50 each. Standard radius 10cm.	

System Prices			Price Ctg.
Specific lengths charged at the nearest 25cm increment above.			A
cm	White £		
125	27.63		
150	31.80		
175	36.97		
200	41.12		
225	46.29		
250	50.45		
275	55.62		
300	59.76		
325	64.93		
350	69.08		
375	74.26		
400	78.41		
425	83.57		
450	87.70		
475	92.92		
500	97.06		
525	102.22		
550	106.38		
575	111.56		
600	115.69		

Prices above are for systems ready-assembled. Substantial savings can be made for self-assembly. Rail can be supplied in full lengths or cut-to-size with accessories separately.

Colours	Price Ctg.
Other colours special order - see Page 67.	E

Rail and Standard Accessories	Price Ctg.
1071 Rail, white in 6m Lengths.	A
1072 Endcover white, 10, 100.	
3016 Endstop, each, 100.	
3060 Clamp, each, 10, 100.	
3533 Glider Box, 100. Self-service sachets, 25 x 25, Euroslat sachet 25.	
3534 Glider, in strip form, at 14 per m, outer 1000.	

Optional Accessories	Price Ctg.
(additional charges may apply)	A
3070 Twist eye endstop, each, 10.	
3062 Connecting bridge, each.	
3511 Glider, 100, outer, 25,000.	
3548 Retrofit glider, 25, 100, 1000.	
3570 Rotating glider, 10, 100.	
3582 Hook, box 100, outer 1,000, outer 20,000.	
3599 Hook, box 100, outer 25,000.	
10430-10434 Draw Rods, white, black or aluminium.	
11335 Endstop white, silver or black, each, 100.	

Colours	Price Ctg.
Other colours special order - see Page 67.	E

Bending	Price Ctg.
Angle bend £39.50 each. Standard radius 12cm. Semi-circle or gradual curve £51.00 each.	

All prices shown exclude VAT



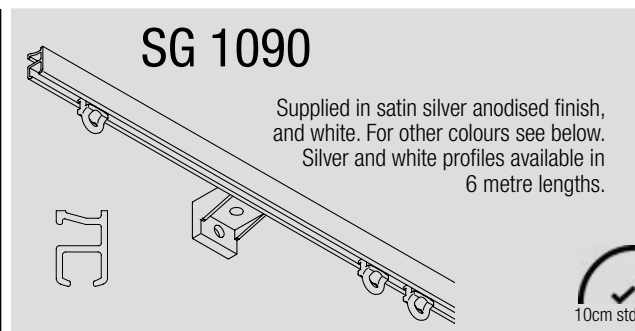
Hand Operated Curtain Track Systems



SG 1080

Supplied in satin silver anodised finish, white, black, matt white, antique bronze, anodic grey and charcoal. Silver and white profile available in 5 and 6 metre lengths, other coloured profiles 6m only.

10cm std.



SG 1090

Supplied in satin silver anodised finish, and white. For other colours see below. Silver and white profiles available in 6 metre lengths.

10cm std.

System Prices			Price Ctg.
Specific lengths charged at the nearest 25cm increment above.			A
cm	W/S/BL £	MW/AB/ AG/CC £	
125*	29.92	50.02	
150*	35.84	59.17	
175*	41.81	68.40	
200*	47.77	77.64	
225*	53.76	86.81	
250*	59.69	96.08	
275*	65.71	105.14	
300*	71.72	114.35	
325	77.63	123.63	
350	83.68	132.77	
375	89.58	142.02	
400	95.52	151.16	
425	101.53	160.32	
450	107.52	169.61	
475	113.44	178.79	
500	119.45	187.92	
525	125.38	197.14	
550	131.37	206.39	
575	137.34	215.51	
600	143.27	224.79	

Above prices are for systems ready-assembled. Substantial savings can be made for self-assembly. Rail can be supplied in full lengths or cut-to-size with accessories separately.

*1080W Packed in Acetate:
For sizes marked with an asterisk above we offer our 1080 in white only in clear acetate self-service display packaging. Prices are the same as indicated above. Min. order 12 lengths.

Rail and Standard Accessories			Price Ctg.
1080p Rail, silver, white, in 5m & 6m, matt white, antique bronze, anodic grey, black and charcoal in 6m.			A
3533 Glider Box, white, black 100. Self-service sachets, 25 x 25. Outer, 25,000. Euroslot sachet 25.			
3534 Glider, white, black in strip form, at 14/m.			
18R Screw 25mm/1". No. 8 round head, 100.			
3667 Endcover/stop, grey, white, black, matt white, anodic grey, antique bronze, charcoal. each 10, 100. Euroslot sachet			
2 (white and grey only).			
3630 Universal nylon bracket, white, black at 600mm centres, each 10, 100. Euroslot sachet 2.			

Optional Accessories			Price Ctg.
(additional charges may apply)			A
3016 Endstop, each, 100.			
3511 Glider, at 16 per metre, 100. Outer, 25,000 gliders.			
3570 Rotating glider, 100.			
3020 Hook, Metal, 100.			
3638 Reinforced corner piece for pelmets, each, 10.			
3603 Top fix brackets, white, black each, 10, 100.			
3548 Retrofit glider, 25, 100, 1000.			
3630 Universal bracket, brown gold, each, 10.			
3571/3582/3599 Hooks - see under 1021/5.			
3070 Twist eye endstop, white, black each, 10.			

System Prices			Price Ctg.
1128R Screw 37mm/1 1/2". No. 8 round head, 100.			A
3089 Glider hook, 20.			
6146 Nylon hook, 12.			
3660 Extra long universal bracket.			
3655 Long universal bracket.			
3562 Standard tape, 100 metres.			
3582 Curtain hooks, white, black.			
3620 Connecting bridge, each, 10.			
3602 Nylon wall support, white, each, 10.			
3606 Snap fastener each, 10.			
3618 Metal wall support, each, 10.			
3626 Return fixing bracket, each.			
3639 Hanger rod assembly, 2' system complete.			
Smart Fix Brackets in W/S/BL/MW/AG/AB/CC			
11118 Smart Fix 60mm Bracket (11200 Set).			
11119 Smart Fix 80mm Bracket (11201 Set).			
11120 Smart Fix 100mm Bracket (11202 Set).			
11121 Smart Fix 120mm Bracket (11203 Set).			
11122 Smart Fix 150mm Bracket (11204 Set).			
11123 Smart Fix 200mm Bracket (11205 Set).			
Square Smart Fix Brackets in W/S/BL/MW/AG/AB/CC			
11139 Smart Fix 60mm Bracket (11210 Set).			
11140 Smart Fix 80mm Bracket (11211 Set).			
11141 Smart Fix 100mm Bracket (11212 Set).			
11142 Smart Fix 120mm Bracket (11213 Set).			
11143 Smart Fix 150mm Bracket (11214 Set).			
11144 Smart Fix 200mm Bracket (11215 Set).			
Smart Fix Bracket Covers			
11116 Smart Fix Bracket Cover.			
11137 Square Smart Fix Bracket Cover			
Universal Smart Fix Extension Bracket			
11154 Universal Smart Fix 120mm.			
11155 Universal Smart Fix 150mm.			
11156 Universal Smart Fix 200mm.			

Universal Smart Fix Extension Bracket			Price Ctg.
11154 Universal Smart Fix 120mm.			
11155 Universal Smart Fix 150mm.			
11156 Universal Smart Fix 200mm.			

Clearance spacer (for top boards).			Price Ctg.
3151 Clearance spacer (for top boards).			E
Colours			Price Ctg.
Other colours special order - see Page 67.			E
Tools, etc			Price Ctg.
80018 Slotting tool.			E
7103 Portable hand operated bending tool.			
7109 Portable electrical operated bending tool.			
7806 Filler set for 1080 at 200cm for 7103/9.			
0540 Bending tool for gradual curves.			

Bending			Price Ctg.
Angle bend £39.50 each. Standard radius 10cm.			
Semi-circle or gradual curve £51.00 each.			
Arch £95.50 each. Standard radius 30cm.			

3600 Picture Hanging System			Price Ctg.
Use prices for 1080 rail only and 3606 supports, covers 3667 where necessary plus special components below.			A
3637A Cord ø 1.5mm nom.			
3600 Picture hanging system complete (including 4x3663, cord 3637A & 3634 delrin height adjuster) 3657			
Connecting bridge for picture hanging system.			
3605 Endcover.			

System Prices			Price Ctg.
Specific lengths charged at the nearest 25cm increment above.			A
cm	W/S £		
125	27.62		
150	33.19		
175	38.68		
200	44.25		
225	49.75		
250	55.23		
275	60.75		
300	66.29		
325	71.89		
350	77.45		
375	82.87		
400	88.43		
425	93.91		
450	99.48		
475	104.95		
500	110.55		
525	116.05		
550	121.54		
575	127.11		
600	132.57		

Above prices are for systems ready-assembled. Substantial savings can be made for self-assembly. Rail can be supplied in full lengths or cut-to-size with accessories separately.

Rail and Standard Accessories			Price Ctg.
1090p Rail, silver and white in 6m or cut-to-size.			A
3533 Glider. Box, 100.			
Self-service sachets, 25 x 25. Outer, 25,000. Euroslot sachet 25. 3534 Glider, in strip form, at 14 per metre.			
3016 Endstop, each, 100.			
3175 Universal Nylon Bracket, white, 10, 100.			

Optional Accessories			Price Ctg.
(additional charges may apply)			A
3511 Glider, at 16 per metre, 100. Outer, 25,000 gliders.			
3570 Rotating glider, 100.			
3020 Hook, Metal, 100.			
3638 Reinforced corner piece for pelmets, each, 10.			
3603 Top fix brackets, white, black each, 10, 100.			
3548 Retrofit glider, 25, 100, 1000.			
3630 Universal bracket, brown gold, each, 10.			
3571/3582/3599 Hooks - see under 1021/5.			
3070 Twist eye endstop, white, black each, 10.			

Optional Accessories			Price Ctg.
(additional charges may apply)			A
18R Screw, 25mm/1", No. 8 round head, 100.			
3511 Glider, at 16 per metre, 100. Outer, 25,000 gliders.			
3570 Rotating glider, 100.			
3582 Hook, 100. Self-service sachets, 25 x 25. Outer, 25,000.			
3176 Top fix bracket, white, 10, 100.			
3070 Twist eye endstop, each, 10.			
1128R Screw 37mm/1 1/2". No. 8 round head, 100.			
3548 Retrofit glider, 25, 100, 1000.			
3562 Standard tape, 100 metres.			
3096 Connecting bridge, each, 10.			
3113 5cm metal spacer, 10, 100.			
3115 7cm metal spacer, 10, 100.			
10430 - 10434 Draw rods, white, black or aluminium			
Smart Fix Brackets in white, black or silver			
11118 Smart Fix 60mm Bracket (11200 Set).			
11119 Smart Fix 80mm Bracket (11201 Set).			
11120 Smart Fix 100mm Bracket (11202 Set).			
11121 Smart Fix 120mm Bracket (11203 Set).			
11122 Smart Fix 150mm Bracket (11204 Set).			
11123 Smart Fix 200mm Bracket (11205 Set).			
Square Smart Fix Brackets in white, black or silver			
11139 Smart Fix 60mm Bracket (11210 Set).			
11140 Smart Fix 80mm Bracket (11211 Set).			
11141 Smart Fix 100mm Bracket (11212 Set).			
11142 Smart Fix 120mm Bracket (11213 Set).			
11143 Smart Fix 150mm Bracket (11214 Set).			
11144 Smart Fix 200mm Bracket (11215 Set).			

Smart Fix Bracket Covers			Price Ctg.
11116 Smart Fix Bracket Cover.			
11137 Square Smart Fix Bracket Cover.			

Colours			Price Ctg.
Other colours special order - see Page 67.			E

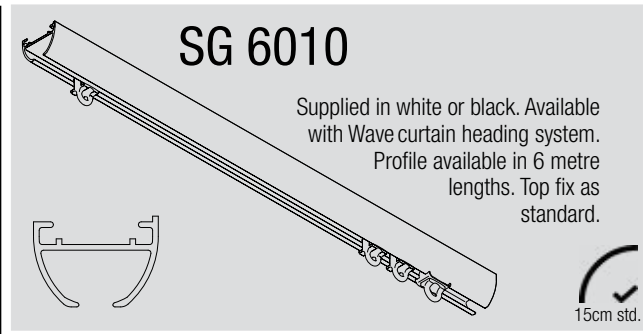
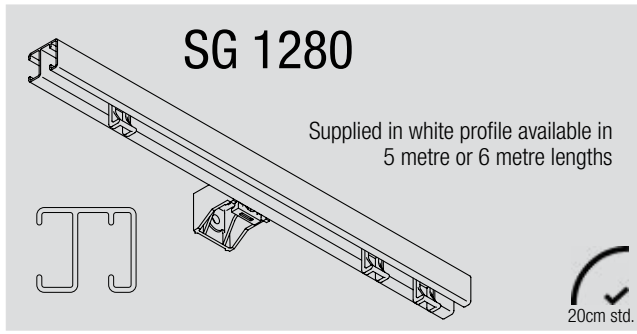
Tools			Price Ctg.
Sleeving SL1090, SL1090W per reel.			E
80018 Slotting tool.			
7809 Filler set at 200cm, 2 required			

Bending			Price Ctg.
Angle bend £39.50 each. Standard radius 10cm.			
Semi-circle or gradual curve £51.00 each.			

All prices shown exclude VAT



Hand Operated Curtain Track Systems



System Prices		Price Ctg.
Specific lengths charged at the nearest 25cm increment above.		A
cm	White £	
125	45.47	
150	54.65	
175	63.62	
200	72.74	
225	81.81	
250	90.90	
275	100.02	
300	109.07	
325	118.20	
350	127.27	
375	136.37	
400	145.47	
425	154.48	
450	163.65	
475	172.77	
500	181.78	
525	190.88	
550	200.02	
575	209.11	
600	218.17	
Above prices are for systems ready-assembled. Substantial savings can be made for self-assembly. Rail can be supplied in full lengths or cut-to-size with accessories separately.		

Rail and Standard Accessories		Price Ctg.
1280p White rail, available in 5m or 6m lengths, in outers of 10 lengths only.		A
3630 Universal nylon bracket, white, at 600mm centres, 100.		
3922 Roller glider in strip form at 10 per metre, outer of 1,000 gliders, outer of 6,000 gliders.		
3985 Eyelet endcover/endstop in white, 100.		
18R Screw 25mm/1", No. 8 round head, 100.		
Tools		
7103 Portable hand operated bending tool.		E
7109 Portable electrically operated bending tool.		
80018 Slotting tool.		
7844 Filler set for 7103/7109, 70cm.		
7844A Filler set for 0540, 200cm.		
0540 Bending tool for gradual curves		
Bending		
Angle bend £39.50 each.		
Standard radius 20cm.		
Semi-circle or gradual curve £51.00 each.		

All prices shown exclude VAT

Optional Accessories		Price Ctg.
(additional charges may apply)		A
3620 Connecting bridge.		
3975 Overlap for pulling by hand, each, 10.		
3935A Combination overlap straight, complete with 'S' hook attachment 3949, each, 10.		
3936A Combination overlap complete with 'S' hook attachment 3949, each, 10.		
3942 Intermediate stop, 10.		
3603 Top fix bracket, white each, 10, 100.		
3582 Hook, box 100, outer 1,000, outer 20,000.		
3599 Hook, box 100, outer 25,000.		
3562 Standard tape, 100m.		
10430 - 10434 Draw rods, white, black or aluminium		
Smart Fix Brackets in white, black or silver		
11118 Smart Fix 60mm Bracket (11200 Set).		
11119 Smart Fix 80mm Bracket (11201 Set).		
11120 Smart Fix 100mm Bracket (11202 Set).		
11121 Smart Fix 120mm Bracket (11203 Set).		
11122 Smart Fix 150mm Bracket (11204 Set).		
11123 Smart Fix 200mm Bracket (11205 Set).		
Square Smart Fix Brackets in white, black or silver		
11139 Smart Fix 60mm Bracket (11210 Set).		
11140 Smart Fix 80mm Bracket (11211 Set).		
11141 Smart Fix 100mm Bracket (11212 Set).		
11142 Smart Fix 120mm Bracket (11213 Set).		
11143 Smart Fix 150mm Bracket (11214 Set).		
11144 Smart Fix 200mm Bracket (11215 Set).		
Smart Fix Bracket Covers		
11116 Smart Fix Bracket Cover.		
11137 Square Smart Fix Bracket Cover.		
Universal Smart Fix Extension Bracket		
11154 Universal Smart Fix 120mm.		
11155 Universal Smart Fix 150mm.		
11156 Universal Smart Fix 200mm.		
3151 Clearance spacer (for top boards).		
Colours		E
Other Colours Special Order – Consult Silent Gliss for pricing.		E
Tools		
7103 Portable hand operated bending tool.		E
7109 Portable electrically operated bending tool.		
80018 Slotting tool.		
7844 Filler set for 7103/7109, 70cm.		
7844A Filler set for 0540, 200cm.		
0540 Bending tool for gradual curves		
Bending		
Angle bend £39.50 each.		
Standard radius 20cm.		
Semi-circle or gradual curve £51.00 each.		

System Prices		Price Ctg.
Specific lengths charged at the nearest 25cm increment above.		A
cm	W/BL Standard Glider £	W/BL 60mm Wave £
	W/BL 80mm Wave £	
125	58.46	84.82
150	66.43	98.29
175	77.94	114.91
200	85.91	128.38
225	97.41	145.00
250	105.38	158.48
275	116.88	175.00
300	124.85	188.57
325	136.35	205.18
350	144.32	218.66
375	155.83	235.27
400	163.80	248.75
425	175.30	265.37
450	183.27	278.85
475	194.77	295.46
500	202.74	308.94
525	214.25	325.55
550	222.22	339.03
575	233.72	355.64
600	241.70	369.14
Above prices are for systems ready-assembled. Substantial savings can be made for self-assembly. Rail can be supplied in full lengths or cut-to-size with accessories separately.		
Enhanced Wave Options		A
Add the following to the systems prices above:		
Option 1		
2256 Adjustable Brake		
Single-stack £9.95; Pair-stack £19.89		
Option 2		
2255 Adjustable Brake & 6366 Carrier		
Single-stack £20.21; Pair-stack £40.40		
Option 3		
Enhanced Wave (80mm only)		
Single-stack £37.49; Pair-stack £75.01		
Rail and Standard Accessories		
6010p Rail, white, black available in 6 metre lengths.		
3825 Clamp.		
6018 Endcover, white, black.		
6065 Twist eye end stop, white, black 10, 100.		
Standard Gliders		
11301 2C Gliders in strip form, white, black at 14 per m, outer 1000.		
Wave Gliders		
11302 Wave 2C Glider-cord 80mm, white, black.		
11303 Wave 2C Glider-cord 60mm white, black.		

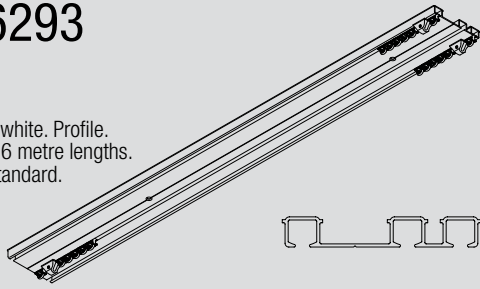
Optional Accessories		Price Ctg.
(additional charges may apply)		A
2255 Adjustable brake, white, black.		
2256 Adjustable brake, white, black.		
3020 Hook, Metal, 100.		
3571 Hook, Box, 100.		
Self-service sachets, 25 x 25. Outer, 35,000.		
3582 Curtain hooks, white, black.		
3599 Hook, box, white, black 100. Self-service sachets, 25 x 25. Outer, 25,000.		
3802 Connecting bridge.		
3826 Nylon bracket, white, black (top fix).		
3832 Clamp for top fixing.		
6053 Spring Stop, 10.		
6064 Endstop.		
6283 Roller-glider.		
6349 Wave®curtain tape, white, black.		
6364 Extension, white, black.		
6365 Hanger, white, black.		
6363 Iron-on hemming tape.		
6366 Draw rod carrier, white, black.		
10075 Lead curtain weight.		
10076 Fabric side weight.		
10430-10434 Draw rods, white, black or aluminium.		
11295 Endstop, Silver, White, Black each 10.		
1148C Screw.		
Colours		E
Other colours special order – See Page 67.		
Tools		E
7103 Portable hand operated bending tool.		
7109 Portable electrically operated bending tool.		
7885 Filler set 6010 at 200cm for 7103/7109.		
7439 Blocks for 7103/7109, 2 required.		
7404 Former for 7103/7109, radius 15cm.		
Bending		
Angle bend £62.50 each.		
Standard radius 15 cm.		
Semi-circle or gradual curve £84.00 each.		



Hand Operated Curtain Track Systems

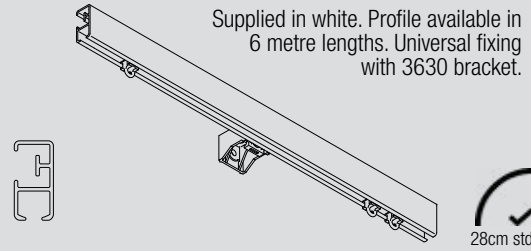
SG 6293

Supplied in white. Profile available in 6 metre lengths. Top fix as standard.



SG 6380

Supplied in white. Profile available in 6 metre lengths. Universal fixing with 3630 bracket.



28cm std.

System Prices			Price Ctg.
Specific lengths charged at the nearest 25cm increment above.			A
	White Standard Glider	White *Std/Roller	
	£	£	
125	79.08	104.67	
150	93.67	122.65	
175	108.25	143.51	
200	122.84	161.49	
225	137.43	182.35	
250	152.01	200.32	
275	166.60	221.18	
300	181.19	239.16	
325	195.77	260.02	
350	210.36	278.00	
375	224.94	298.86	
400	239.54	316.83	
425	254.12	337.69	
450	268.71	355.67	
475	283.30	376.53	
500	297.88	394.50	
525	312.47	415.36	
550	327.06	433.34	
575	341.64	454.20	
600	356.24	472.18	

Prices above are for systems ready-assembled. Substantial savings can be made for self-assembly. Rail can be supplied in full lengths or cut-to-size with accessories separately.

Rail and Standard Accessories	Price Ctg.
6065 Twist eye endstop, each, 10, 100.	A
6283 Roller glider at 10 per metre. Outer 10, 100.	
6293p Rail, white in 6m lengths.	
11301 2C Glider in strip form, at 14 per m, outer 1000.	

*Standard 11301 gliders for voile and 6283 gliders for main curtains.

All prices shown exclude VAT

Optional Accessories	Price Ctg.
(additional charges may apply)	A
3599 Hook, Box, 100. Self-service.	
6053 Spring stop, 10.	
6094 Roller glider with hook, 10, 100.	
6098 Roller glider with eye.	
6269 Connecting bridge.	
10430-10434 Draw Rods, white, black or aluminium.	

Colours	Price Ctg.
Other colours special order - see Page 67.	E

Bending	Price Ctg.
Straight only.	

Rail and Standard Accessories	Price Ctg.
3630 Universal nylon bracket, white, 100.	A
6065 Twist eye end stop.	
6283 Roller glider, 10, 100.	
6380p Profile, white in 6m.	
6381 Endcover, white.	
11301 2C Glider in strip form at 14 per m, outer 1000.	

All prices shown exclude VAT

System Prices			Price Ctg.
Specific lengths charged at the nearest 25cm increment above.			A
	White Standard Glider	White Roller Glider	
	£	£	
125	62.50	87.69	
150	70.79	99.77	
175	81.45	116.30	
200	89.73	128.38	
225	100.39	144.91	
250	108.69	157.00	
275	119.34	173.53	
300	127.64	185.61	
325	138.30	202.14	
350	146.59	214.22	
375	157.25	230.75	
400	165.54	242.83	
425	176.19	259.36	
450	184.49	271.44	
475	195.14	287.97	
500	203.44	300.05	
525	214.09	316.58	
550	222.39	328.66	
575	233.05	345.20	
600	241.35	357.28	

Prices above are for systems ready-assembled. Substantial savings can be made for self-assembly. Rail can be supplied in full lengths or cut-to-size with accessories separately.

Rail and Standard Accessories	Price Ctg.
3630 Universal nylon bracket, white, 100.	A
6065 Twist eye end stop.	
6283 Roller glider, 10, 100.	
6380p Profile, white in 6m.	
6381 Endcover, white.	
11301 2C Glider in strip form at 14 per m, outer 1000.	

All prices shown exclude VAT

Optional Accessories	Price Ctg.
(additional charges may apply)	A
2255 Adjustable Brake.	
2256 Adjustable Brake.	
3571 Hook.	
3582 Hook, Box, 100. Self service sachets, 25x25. Outer, 1,000. Outer, 20,000.	
3599 Hook, box 100, outer 25,000.	
3603 Top fix bracket, white each, 10, 100.	
3620 Connecting Bridge.	
3655 Long universal bracket.	
3660 Extra long universal bracket	
6053 Spring stop, 10.	
6064 Screw twist endstop each, 10.	
6086 Spring stop each, 10, 100.	
6146 Nylon hook, 100.	
6094 Roller glider with hook, 10, 100.	
6098 Roller glider with eye, 10, 100.	
6349 Wave® curtain tape.	
6363 Iron-on hemming tape.	
6364 Extension.	
6365 Hanger.	
6366 Draw rod carrier.	
10075 Lead curtain weight.	
10076 Fabric side weight.	
10430-10434 Draw Rods, white, black or aluminium	
11295 Endstop white, black or silver.	
11302 Wave 2C Glider-cord 80mm	
11303 Wave 2C Glider-cord 60mm	
Smart Fix Brackets in white, black or silver	
11118 Smart Fix 60mm Bracket (11200 Set).	
11119 Smart Fix 80mm Bracket (11201 Set).	
11120 Smart Fix 100mm Bracket (11202 Set).	
11121 Smart Fix 120mm Bracket (11203 Set).	
11122 Smart Fix 150mm Bracket (11204 Set).	
11123 Smart Fix 200mm Bracket (11205 Set).	
Square Smart Fix Brackets in white, black or silver	
11139 Smart Fix 60mm Bracket (11210 Set).	
11140 Smart Fix 80mm Bracket (11211 Set).	
11141 Smart Fix 100mm Bracket (11212 Set).	
11142 Smart Fix 120mm Bracket (11213 Set).	
11143 Smart Fix 150mm Bracket (11214 Set).	
11144 Smart Fix 200mm Bracket (11215 Set).	
Universal Smart Fix Extension Bracket	
11154 Universal Smart Fix 120mm.	
11155 Universal Smart Fix 150mm.	
11156 Universal Smart Fix 200mm.	

Colours	Price Ctg.
Other colours special order - see Page 67.	E

Bending	Price Ctg.
Angle bend £39.50 each. Standard radius 28cm. Semi-circle or gradual curve £51.00 each.	

All prices shown exclude VAT



Hand Operated Curtain Track Systems

SG 6465

Supplied in white or black. Available with Wave curtain heading system. Profile available in 6 metre lengths. Top fix as standard. Optional ccess profile available.

12cm std.

SG 6840

Supplied in silver anodised, white, black, matt white, antique bronze, anodic grey and charcoal. Available with Wave standard curtain headings systems. Top fix as standard.

20cm std.

System Prices				Price Ctg.
Specific lengths charged at the nearest 25cm increment above.				A
cm	W/BL Standard Glider	W/BL Wave 60mm	W/BL Wave 80mm	
	£	£	£	
125	55.27	82.43	74.18	
150	63.94	96.77	86.87	
175	74.01	112.10	100.57	
200	82.68	126.45	113.26	
225	92.76	141.79	126.96	
250	101.42	156.13	139.65	
275	111.50	171.47	153.34	
300	120.17	185.81	166.03	
325	130.24	201.15	179.73	
350	138.91	215.50	192.42	
375	148.98	230.83	206.11	
400	157.65	245.18	218.80	
425	167.72	260.52	232.50	
450	176.39	274.86	245.19	
475	186.46	290.20	258.89	
500	195.13	304.54	271.59	
525	205.20	319.88	285.27	
550	213.87	334.23	297.96	
575	223.94	349.56	311.66	
600	232.63	363.92	324.37	

Above prices are for systems ready-assembled. Substantial savings can be made for self-assembly. Rail can be supplied in full lengths or cut-to-size with accessories separately.

Enhanced Wave Options

Add the following to the systems prices above:

Option 1
2256 Adjustable Brake
Single-stack £9.95; Pair-stack £19.89

Option 2
2255 Adjustable Brake & 6366 Carrier
Single-stack £20.21; Pair-stack £40.40

Option 3
Enhanced Wave (80mm only)
Single-stack £37.49; Pair-stack £75.01

Rail and Standard Accessories

6466 Rail, white, black available in 6 metre lengths.
3060 Clamp.
6065 Twist eye end stop, white, black 10, 100.
6471 Endcover, white, black.
Standard Gliders
11301 2C Gliders in strip form, white, black, at 14 per m, outer 1000.
Wave Gliders
11302 Wave 2C Glider-cord 80mm, white, black.
11303 Wave 2C Glider-cord 60mm, white, black.

All prices shown exclude VAT

Optional Accessories

(additional charges may apply)
2255 Adjustable brake, white, black.
2256 Adjustable brake, white, black.
3062 Connecting bridge.
3582 Curtain hooks white, black.
3599 Hook, white, black. box, 100. Self-service sachets, 25 x 25. Outer, 25,000.
6064 Endstop.
6349 Wave[®]curtain tape, white, black.
6364 Extension, white, black.
6365 Hanger, white, black.
6363 Iron-on hemming tape.
6366 Draw rod carrier, white, black.
10075 Lead curtain weight.
10076 Fabric side weight.
10430-10434 Draw rods, white, black or aluminium.
11231 Recess profile white and black.
11237 Wedge, white and black.
11239 Recess mask, white and black.
1148C Screw.

Recess Profile and Accessories White and Black

Charged at the nearest 25cm increment above.
Add to price Per Metre Per Track
White £20.51 £4.95

Colours

Other colours special order – consult Silent Gliss for pricing.

Tools

7244 Notching tool for recess profile 11231

Bending

Angle bend £39.50 each.
Standard radius 12cm.
Semi-circle or gradual curve £51.00 each.

Note: If using recess profile, add an additional 20% to the relevant bending charge above.
Please note standard radius for 6465 with recess profile is 27cm.

System Prices				Price Ctg.
Using Standard Wave Gliders				A
cm	W/S/BL	MW/AG/AB/CC	W/S	AB/CC
	£	£	£	£
125	69.72	99.86	85.12	114.52
150	73.05	109.22	91.50	126.79
175	84.12	126.33	105.81	146.87
200	95.20	143.43	119.81	166.85
225	106.28	160.54	134.02	186.85
250	117.36	177.65	148.25	206.95
275	128.43	194.76	162.45	227.05
300	139.52	211.87	176.69	247.15
325	150.60	228.98	190.92	267.25
350	158.61	243.01	201.90	284.03
375	166.31	256.74	212.55	300.59
400	177.39	273.84	226.68	320.70
425	188.46	290.96	240.85	340.78
450	199.54	308.06	254.99	360.83
475	207.24	321.79	265.84	377.43
500	218.32	338.90	279.85	397.41
525	229.40	356.01	294.02	417.51
550	237.10	369.73	304.81	434.24
575	248.18	386.84	319.04	454.16
600	259.26	403.96	333.20	474.29

Using Standard Wave Gliders				Price Ctg.
60mm glider cord				A
cm	W/S/BL	MW/AG/AB/CC	W/S/BL	MW/AG/AB/CC
	£	£	£	£
125	90.18	120.32	87.83	117.96
150	102.47	138.64	99.89	136.06
175	118.45	160.65	115.03	157.23
200	134.43	182.66	130.15	178.38
225	150.41	204.68	145.92	200.18
250	166.40	226.69	161.05	221.35
275	178.68	245.00	172.99	239.45
300	205.43	277.78	199.02	271.37
325	211.28	289.65	204.02	282.80
350	227.26	311.67	219.78	304.20
375	239.86	330.30	231.54	321.97
400	255.85	352.31	246.67	343.14
425	271.83	374.32	262.44	364.93
450	287.81	396.33	277.57	386.09
475	300.41	414.96	289.95	404.50
500	316.39	436.97	305.09	425.67
525	332.38	458.98	322.81	446.82
550	344.98	477.62	332.60	467.98
575	360.96	499.63	347.74	486.40
600	376.94	521.65	362.89	507.59

Using Wave Roller Gliders				Price Ctg.
80mm glider cord				A
cm	W/S	MW/AG/AB/CC	W/S	MW/AG/AB/CC
	£	£	£	£
125	155.36	184.75		
150	175.79	211.08		
175	204.14	245.20		
200	232.19	279.23		
225	260.45	313.28		
250	288.72	347.42		
275	313.11	377.76		
300	352.04	422.57		
325	398.45	466.58		
350	423.27	511.31		
375	451.44	545.46		
400	479.67	579.59		
425	507.85	613.69		
450	532.74	644.34		
475	562.81	678.37		
500	589.02	712.51		
525	613.87	743.29		
550	642.14	777.26		
575	670.35	811.43		
600				

Enhanced Wave Options

Add the following to the systems prices above:

Option 1
2256 Adjustable Brake
Single-stack £9.95; Pair-stack £19.89

Option 2
2255 Adjustable Brake & 6366 Carrier
Single-stack £20.21 Pair-stack £40.40

Option 3
Enhanced Wave (80mm only)
Single-stack £37.49; Pair-stack £75.01

Rail and Standard Accessories

3825 Clamp, at 300mm centres, 10, 100.
3841 Rail, silver, white, matt white, black, antique bronze, anodic grey, charcoal available in 6m or cut-to-size.
3842 Endcover.
6065 Twist eye endstop, white, black.
1148C Screw, 31mm/1 1/4", No. 8 countersunk, 100.
Plus one of the following glider options:
Standard Gliders
11301 2C Gliders in strip form, W/BL at 14 per m.
Roller Gliders
6283 Roller gliders white at 10 per m.
Wave Gliders
11302 Wave 2C Glider-cord 80mm, W/BL.
11303 Wave 2C Glider-cord 60mm, W/BL.
6099 Roller glider-cord white 80mm pitch.
1148C Screw, 31mm/1 1/4", No. 8 countersunk, 100

Optional Accessories

(additional charges may apply).
2255 Adjustable brake, white, black.
2256 Adjustable brake, white, black
3582 Hook. Box, 100. Self-service sachets, white, black 25 x 25. Outer, 20,000.
3599 Hook, Box, white, black 100. Self service sachets, 25x25. Outer, 25,000.
3802 Connecting bridge.
3826 Nylon bracket, (top fix), white, black.
3832 Clamp for top fixing.
3836 Nylon bracket, (face fix).
6053 Spring stop, 10.
6094 Roller glider with hook, 10, 100.
6098 Roller glider with eye, white, black.
6349 Wave[®]curtain tape, white, black.
6364 Extension, white, black.
6365 Hanger, white, black.
6363 Iron-on hemming tape.
6366 Draw rod carrier, white, black.
10075 Lead curtain weight.
10076 Fabric side weight.
10430 - 10434 Draw rods, white, black or aluminium
Smart Fix Brackets in W/S/BL/MW/AG/AB/CC
11118 Smart Fix 60mm Bracket (11200 Set).
11119 Smart Fix 80mm Bracket (11201 Set).
11120 Smart Fix 100mm Bracket (11202 Set).
11121 Smart Fix 120mm Bracket (11203 Set).
11122 Smart Fix 150mm Bracket (11204 Set).
11123 Smart Fix 200mm Bracket (11205 Set).
Square Smart Fix Brackets in W/S/BL/MW/AG/AB/CC
11139 Smart Fix 60mm Bracket (11210 Set).
11140 Smart Fix 80mm Bracket (11211 Set).
11141 Smart Fix 100mm Bracket (11212 Set).
11142 Smart Fix 120mm Bracket (11213 Set).
11143 Smart Fix 150mm Bracket (11214 Set).
11144 Smart Fix 200mm Bracket (11215 Set).
Smart Fix Brackets Covers
11116 Smart Fix Bracket Cover.
11137 Square Smart Fix Bracket Cover.

Colours

Other colours special order – see Page 67.

Tools

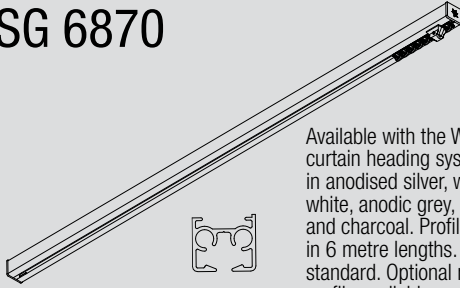
0538 Bending kit for use with 7103/7109.
7103 Portable hand operated bending tool.
7109 Portable electrically operated bending tool.
7802 Filler set 3840 at 200cm for 7103/9.

Bending

Angle bend £62.50 each.
Standard radius 20cm.
Semi-circle or gradual curve £84.00 each.

Hand Operated Curtain Track Systems

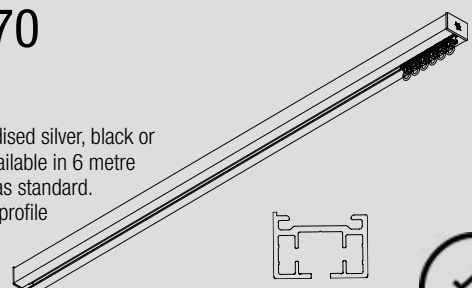
SG 6870



Available with the Wave Standard curtain heading systems. Supplied in anodised silver, white, black, matt white, anodic grey, antique bronze and charcoal. Profile available in 6 metre lengths. Top fix standard. Optional recess profile available.

26cm std.

SG 6970



Supplied in anodised silver, black or white. Profile available in 6 metre lengths. Top fix as standard. Optional recess profile available.

25cm std.

System Prices				Price Ctg.
Specific lengths charged at the nearest 25cm increment above.				A
Using Standard Gliders				
cm	W/S/BL £	MW/AG/AB/CC £		
125	75.29	105.82		
150	83.41	119.37		
175	95.04	136.45		
200	103.16	150.00		
225	114.79	167.08		
250	122.91	180.63		
275	134.54	197.71		
300	142.66	211.26		
325	154.29	228.34		
350	162.41	241.90		
375	174.04	258.97		
400	182.16	272.53		
425	193.79	289.60		
450	201.91	303.16		
475	213.54	320.23		
500	221.65	333.79		
525	233.29	350.86		
550	241.41	364.42		
575	253.04	381.49		
600	261.15	395.07		
Using 60mm Standard Wave Gliders				
cm	W/S/BL £	MW/AG/AB/CC £		
125	101.64	136.18		
150	115.26	155.81		
175	132.01	178.67		
200	145.63	198.31		
225	162.38	221.17		
250	176.00	240.81		
275	192.75	263.67		
300	206.38	283.31		
325	223.12	306.17		
350	236.75	325.81		
375	253.49	348.67		
400	267.12	368.31		
425	283.86	391.17		
450	297.49	410.81		
475	314.23	433.67		
500	327.86	453.32		
525	344.60	476.17		
550	358.23	495.82		
575	374.97	518.67		
600	388.60	538.33		
Using 80mm Standard Wave Gliders				
cm	W/S/BL £	MW/AG/AB/CC £		
125	98.90	127.96		
150	111.60	145.95		
175	127.59	167.16		
200	140.30	185.16		
225	156.29	206.37		
250	168.99	224.37		
275	184.99	245.59		
300	197.69	263.59		
325	213.69	284.80		
350	226.39	302.80		
375	242.39	324.01		
400	255.09	342.01		
425	271.09	363.22		
450	283.79	381.22		
475	299.78	402.44		
500	312.49	420.43		
525	328.48	441.65		
550	341.18	459.65		
575	357.18	480.86		
600	369.87	498.88		

Prices above are for systems ready-assembled. Substantial savings can be made for self-assembly. Rail can be supplied in full lengths or cut-to-size with accessories separately.

Enhanced Wave Options	
Add the following to the systems prices above:	
Option 1	2256 Adjustable Brake
	Single-stack £9.95; Pair-stack £19.89
Option 2	2255 Adjustable Brake & 6366 Carrier
	Single-stack £20.21; Pair-stack £40.40
Option 3	Enhanced Wave (80mm only)
	Single-stack £37.49; Pair-stack £75.01

Rail and Standard Accessories		Price Ctg.
3825 Clamp, 10, 100.		A
6065 Endstop, white, black.		
11190 Profile, silver, white, black, matt white, anodic grey, antique bronze, charcoal in 6m.		
1148C Screw, 31mm/1¼", No.8 countersunk, 100		
11233 Endcover silver, white, matt white, black, anodic grey, antique bronze, charcoal.		
Standard Gliders		
11301 2C Glider in strip form, white, black at 14 per m, outer 1000.		
Wave Gliders		
11302 Wave 2C Glider-cord 80mm, white, black.		
11303 Wave 2C Glider-cord 60mm, white, black.		
Optional Accessories		A
(additional charges may apply)		
2255 Adjustable Brake, white, black.		
2256 Adjustable brake, white, black.		
3582 Hook, white, black, Box, 100.		
Self service sachets, 25x25.Outer,1,000 Outer, 20,000.		
3599 Hook, box 100, outer 25,000.		
3802 Connecting Bridge.		
3826 Nylon bracket, white, black (top fix).		
3832 Clamp for top fixing.		
3836 Nylon bracket, (face fix).		
6053 Spring stop, 10.		
6064 Endstop.		
6086 Spring stop, white, black each 10, 100.		
6094 Roller glider with hook, 10, 100.		
6098 Roller glider with eye, white, black 10,100.		
6099 Roller glider - cord 80mm pitch. Outer of 50m.		
6146 Nylon hook only, 12, 100.		
6283 Roller glider, 10, 100.		
6349 Wave®curtain tape, white, black.		
6364 Extension, white, black.		
6365 Hanger, white, black.		
6363 Iron-on hemming tape.		
6366 Draw rod carrier, white, black.		
10075 Lead curtain weight.		
10076 Fabric side weight.		
10157 Wedge, white, black.		
10430-10434 Draw Rods, white, black or aluminium		
11230 Recess profile, white and black 6m		
11238 Recess Mask, white and black		
11295 Endstop white, black or silver.		
Smart Fix Brackets in W/S		
BL/MW/AG/AB/CC		
11118 Smart Fix 60mm Bracket (11200 Set).		
11119 Smart Fix 80mm Bracket (11201 Set).		
11120 Smart Fix 100mm Bracket (11202 Set).		
11121 Smart Fix 120mm Bracket (11203 Set).		
11122 Smart Fix 150mm Bracket (11204 Set).		
11123 Smart Fix 200mm Bracket (11205 Set).		
Square Smart Fix Brackets in W/S		
BL/MW/AG/AB/CC		
11139 Smart Fix 60mm Bracket (11210 Set).		
11140 Smart Fix 80mm Bracket (11211 Set).		
11141 Smart Fix 100mm Bracket (11212 Set).		
11142 Smart Fix 120mm Bracket (11213 Set).		
11143 Smart Fix 150mm Bracket (11214 Set).		
11144 Smart Fix 200mm Bracket (11215 Set).		
Universal Smart Fix Extension Brackets		
11154 Universal Smart Fix 120mm.		
11155 Universal Smart Fix 150mm.		
11156 Universal Smart Fix 200mm.		
Recess Profile and Accessories White or Black		A
Charged at the nearest 25cm increment above.		
Add to price	Per Metre	Per Track
White	£30.88	£11.01
Colours		E
Other colours special order - see Page 67.		
Tools		E
7245 Notching tool for recess profile 11230		
Bending		
Angle bend £62.50 each. Standard radius 26cm.		
Semi-circle or gradual curve £84.00 each.		
Note: If using recess profile, add an additional 20% to the relevant bending charge above.		
Please Note: Minimum radius for 6870 with recess profile is 50cm.		

System Prices				Price Ctg.
Specific lengths charged at the nearest 25cm increment above.				A
Silver, Black or White				
cm	Std Roller Glider £	60mm Roller Wave £	80mm Roller Wave £	
125	147.09	243.42	209.43	
150	165.07	283.66	242.87	
175	190.44	326.30	278.71	
200	208.42	366.54	312.15	
225	233.79	409.18	348.00	
250	251.77	449.42	381.44	
275	277.14	492.06	417.28	
300	295.11	532.30	450.72	
325	320.49	574.94	486.56	
350	338.46	615.18	520.00	
375	363.84	657.82	555.85	
400	381.81	698.06	589.29	
425	407.19	740.70	625.13	
450	425.16	780.94	658.57	
475	450.54	823.59	694.41	
500	468.51	863.82	727.85	
525	493.89	906.47	763.70	
550	511.86	946.70	797.14	
575	537.24	989.35	832.98	
600	555.22	1029.61	866.44	
Prices above are for systems ready-assembled. Substantial savings can be made for self-assembly. Rail can be supplied in full lengths or cut-to-size with accessories separately.				
Rail and Standard Accessories				A
3004 Clamps, 10, 100.				
11235 Endcover silver, black and white.				
11295 Endstop white and black.				
10840 2C Roller glider, white, black at 10 per m, outer 10, 100.				C
10850 Rail, Silver, Black and White in 6m.				
10852 Wave 2C Roller Cord 80mm, white, black.				
10869 Wave 2C Roller Cord 60mm, white, black.				

Optional Accessories		Price Ctg.
(additional charges may apply)		A
3041 Bracket.		
3582 Curtain hook, white, black box, 100 Self service sachets, 25 x 25. Outer, 20,000.		
6105 Hanger with plate		
6107 V-Hanger with plate		
6349 Wave®curtain tape, white, black.		
6363 Iron-on hemming tape.		
7002 Profile protector.		
10075 Lead weight 50/gr/m.		
10076 Fabric weight.		
10430 -10434 Draw Rods, white, black or aluminium.		
Smart Fix Brackets in white, black or silver.		
11118 Smart Fix 60mm Bracket (11200 Set).		
11119 Smart Fix 80mm Bracket (11201 Set).		
11120 Smart Fix 100mm Bracket (11202 Set).		
11121 Smart Fix 120mm Bracket (11203 Set).		
11122 Smart Fix 150mm Bracket (11204 Set).		
11123 Smart Fix 200mm Bracket (11205 Set).		
Square Smart Fix Brackets in white, black or silver.		
11139 Smart Fix 60mm Bracket (11210 Set).		
11140 Smart Fix 80mm Bracket (11211 Set).		
11141 Smart Fix 100mm Bracket (11212 Set).		
11142 Smart Fix 120mm Bracket (11213 Set).		
11143 Smart Fix 150mm Bracket (11214 Set).		
11144 Smart Fix 200mm Bracket (11215 Set).		
Universal Smart Fix Extension Brackets		
11154 Universal Smart Fix 120mm.		
11155 Universal Smart Fix 150mm.		
11156 Universal Smart Fix 200mm.		
5118 Wedge for recess profile, W/BL		C
10831 Connecting Bridge.		
10862 Recess profile, white or black, per meter.		
10864 Recess mask, belt return, white, black.		
10865 Mounting support plate.		
11465 Springstop		
Recess Profile and Accessories White or Black		C
Charged at the nearest 25cm increment above.		
Add to price	Per Metre	Per Track
White	£54.17	£10.24
Colours		E
Other colours special order - see Page 67.		
Tools		E
7246 Notching tool for recess profile 10862		
Bending		
For each bend add the following to above system price:		
Radius/cm		
25-99	£187.50 each.	
Over 99	£352.50 each.	
Note: If using recess profile, add an additional 20% to the relevant bending charge above.		
Please note: Standard radius for 6970 is 25cm. Minimum radius for 6970 with recess profile is 50cm.		

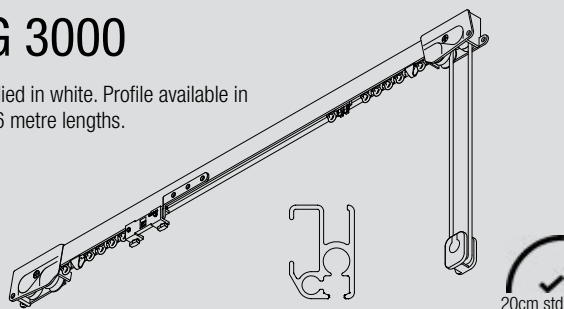
All prices shown exclude VAT



Cord Operated Curtain Track Systems

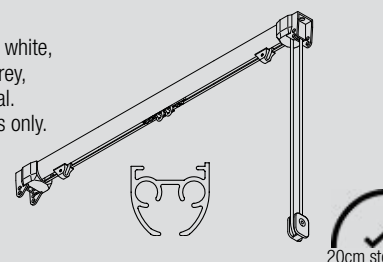
SG 3000

Supplied in white. Profile available in 5 or 6 metre lengths.



SG 3840

Supplied in anodised silver, white, black, matt white, anodic grey, antique bronze and charcoal. Available in 6 metre lengths only. Available with the Wave Standard curtain heading systems. Top fixed as standard.



System Prices		Price Ctg.
Specific lengths charged at the nearest 25cm increment above.		A
cm	White £	
125	116.50	
150	124.59	
175	132.69	
200	140.85	
225	148.87	
250	156.98	
275	165.09	
300	173.18	
325	181.22	
350	189.30	
375	197.46	
400	205.56	
425	213.64	
450	221.68	
475	229.84	
500	237.90	
525	245.98	
550	254.11	
575	262.16	
600	270.26	

Above prices are for systems ready - assembled. Substantial savings can be made for self-assembly. Rail can be supplied in full lengths or cut-to-size with accessories separately.

Rail and Standard Accessories		Price Ctg.
18R Screw 25mm/1", No. 8 round head, 100.		
1082 Rail, white in 5m, 6m.		
1105 Spacer for cord pull end.		
1348R Screw round head No. 8 44mm/1 3/4" for spacer 1105, 100.		
3070 Twist eye endstop, each 10.		
3090 Cord 100, metres, 500 metres.		
3242 Overlap, each, 10, 100. Euroslot sachet 1.		
3288 Pair of endpieces, including Pilot runners 3030/3213, white. Outer, 25 sets, per set.		
3533 Glider. Box, 100. Self-service sachets, 25 x 25. Outer, 25,000. Euroslot sachet 25.		
3534 Glider, in strip form, 14 per metre. Outer, 1,000 gliders.		
3630 Universal bracket, white, each, 10, 100, Euroslot sachet 2.		

10731 Cord retainer **E**

Optional Accessories		Price Ctg.
(Additional charges may apply)		A
1128R Screw 36mm/1 1/2", No. 8 round head, 100.		
3020 Hook. Metal, 100.		
3032 Springstop, 10, 100.		
3045 Metal overlap arm, each, 10.		
3151 Clearance spacer (for top boards).		
3208 Intermediate pulley, white, grey, antique bronze, black, gold, each, 10.		
3231 End fixing bracket, each, 10.		
3289/3289W Set end pieces with return, including pilot runners, set.		
3511 Glider, at 16 per metre, 100. Outer, 25,000 gliders.		
3562 Standard tape, 100 metres.		
3570 Rotating glider, 100.		
3571 Hook. Box 100. Self-service sachets, 25 x 25. Outer 35,000. Euroslot sachet 25.		
3582 Hook. Box, 100 Self-service sachets, 25 x 25. Euroslot sachets 25. Outer, 1000. Outer, 20,000.		
3599 Hook. Box, 100. Self-service sachets, 25 x 25. Euroslot sachet 25. Outer, 25,000.		
3603 Top fix brackets, white at 600mm centres each, 100. Euroslot sachet 2.		
3620 Connecting bridge, each.		
3655 Long universal bracket.		
3660 Extra long universal bracket.		
Smart Fix Brackets in white, black or silver		
11118 Smart Fix 60mm Bracket (11200 Set).		
11119 Smart Fix 80mm Bracket (11201 Set).		
11120 Smart Fix 100mm Bracket (11202 Set).		
11121 Smart Fix 120mm Bracket (11203 Set).		
11122 Smart Fix 150mm Bracket (11204 Set).		
11123 Smart Fix 200mm Bracket (11205 Set).		
Square Smart Fix Brackets in white, black or silver		
11139 Smart Fix 60mm Bracket (11210 Set).		
11140 Smart Fix 80mm Bracket (11211 Set).		
11141 Smart Fix 100mm Bracket (11212 Set).		
11142 Smart Fix 120mm Bracket (11213 Set).		
11143 Smart Fix 150mm Bracket (11214 Set).		
11144 Smart Fix 200mm Bracket (11215 Set).		
Smart Fix Bracket Covers		
11116 Smart Fix Bracket Cover.		
11137 Square Smart Fix Bracket Cover.		

Colours **E**
Other colours special order – see Page 67.

Tools		Price Ctg.
SL3000 Reel, sleeving.		E
SL3000W Reel, sleeving. 80018		
Slotting tool. 7103 Portable hand operated bending tool.		
7004 Cording needle.		
7109 Portable electrically operated bending tool.		
Instruction leaflet.		
7805 Filler set 3000 at 200cm for 7103/9.		
0540 Bending tool for gradual curves.		

Bending
Angle bend £46.00 each.
Standard radius 20cm.
Gradual curve £67.50 each.

System Prices					Price Ctg.
Using Standard Gliders					A
cm	W/S/BL	MW/AG/AB/CC	W/S	MW/AG/AB/CC	
	£	£	£	£	
125	112.52	145.28	127.94	160.69	
150	123.86	161.34	142.30	179.80	
175	135.07	177.36	156.74	199.07	
200	146.42	193.48	171.02	218.09	
225	157.74	209.53	185.49	237.27	
250	169.01	225.54	199.86	256.41	
275	180.32	241.63	214.15	275.48	
300	191.66	257.66	228.53	294.55	
325	202.84	273.72	242.84	316.53	
350	214.15	289.73	257.35	332.89	
375	225.45	305.84	271.69	352.11	
400	236.78	321.86	286.05	371.15	
425	225.45	337.90	300.42	390.28	
450	259.35	353.96	314.79	409.37	
475	270.60	369.97	329.22	428.57	
500	282.00	386.07	343.57	447.60	
525	293.25	402.09	357.91	466.71	
550	304.57	418.14	372.28	485.82	
575	315.84	434.25	386.70	505.12	
600	327.18	450.22	401.10	524.16	

Using Standard Wave Gliders				
cm	60mm glider-cord		80mm glider-cord	
	W/S/BL	MW/AG/AB/CC	W/S/BL	MW/AG/AB/CC
£	£	£	£	
125	137.46	170.23	132.74	165.51
150	153.77	191.26	148.36	185.84
175	169.97	212.26	163.23	205.52
200	186.31	233.37	178.26	225.32
225	202.61	254.41	193.85	245.54
250	218.85	275.39	208.78	265.32
275	235.16	296.49	224.39	285.72
300	251.49	317.50	239.40	305.42
325	267.66	338.55	254.24	325.13
350	283.97	359.54	269.86	345.42
375	300.25	380.63	284.81	365.20
400	316.56	401.65	299.81	384.90
425	332.79	422.67	315.34	405.22
450	349.11	443.68	330.35	424.92
475	365.36	464.73	345.89	445.27
500	381.75	485.80	360.97	465.01
525	398.00	506.81	375.90	484.71
550	414.27	527.83	391.48	505.04
575	430.52	548.94	406.41	524.83
600	446.86	569.93	421.41	544.49

Using Wave Roller Gliders			
cm	W/S	MW/AG/AB/CC	£
	£	£	£
125	198.18	230.93	
150	226.59	264.08	
175	255.08	297.37	
200	283.41	330.47	
225	311.89	363.69	
250	340.35	396.88	
275	368.67	430.00	
300	397.10	463.11	
325	425.47	496.37	
350	453.99	529.56	
375	482.40	562.79	
400	510.82	595.91	
425	539.21	629.09	
450	567.65	662.22	
475	596.11	695.48	
500	624.50	728.54	
525	652.89	761.70	
550	681.33	794.88	
575	709.78	828.20	
600	738.26	861.32	

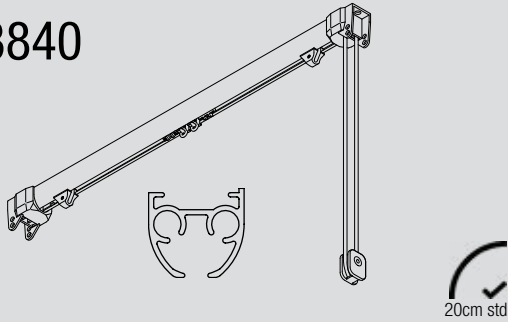
Track lengths between those specified will be charged at the rate for the nearest standard length above.
Above prices are for systems ready-assembled. Substantial savings can be made for self-assembly. Rail can be supplied in full lengths or cut-to-size with accessories separately.

All prices shown exclude VAT



Cord Operated Curtain Track Systems

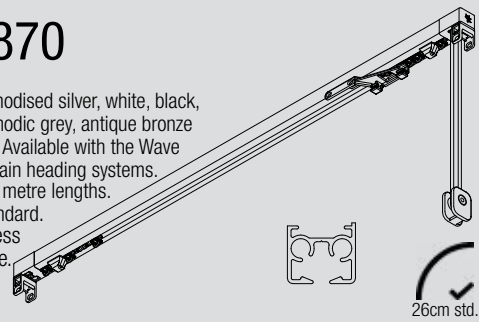
SG 3840



20cm std.

SG 3870

Supplied in anodised silver, white, black, matt white, anodic grey, antique bronze and charcoal. Available with the Wave Standard curtain heading systems. Available in 6 metre lengths. Top fix as standard. Optional recess profile available.



26cm std.

	Price Ctg.
Rail and Standard Accessories	A
1148C Screw, 31mm/1 1/4", No. 8 countersunk, 100.	
3090 Cord, 100 metres. 500 metres.	
3091 Cord, 100 metres, black.	
3825 Clamp, 10, 100.	
3841 Rail, silver, white, black, matt white, anodic grey, antique bronze, charcoal available in 6m.	
3845 Endpiece set, white, black, grey, matt white, anodic grey, antique bronze, charcoal.	
6086 Spring stop, white, black each 10, 100.	
6288 Plastic overlap arm white, black, each, 10.	
Plus one of the following glider options:	
Standard Gliders	
11301 2C Gliders in strip form white, black, at 14 per m, outer 1000.	
Roller Gliders	
6283 Roller glider, white at 10 per metre. Outer 10, 100.	
Wave Gliders	
6099 Roller glider-cord, white 80mm pitch. Outer of 50mm.	
11302 2C Wave glider-cord 80mm, white, black	
11303 2C Wave glider-cord 60mm, white, black	E
10731 Cord retainer	A

Optional Accessories (additional charges may apply).	
3020 Hook. Metal, 100.	
3562 Standard tape, 100 metres.	
3571 Hook, Box 100. Self-service sachets, 25 x 25. Outer, 35,000.	
3582 Curtain hooks, white, black.	
3582 Hook. Box, 100. Self-service sachets, 25 x 25. Outer, 20,000.	
3599 Hook, white, black Box 100. Self-service sachets, 25 x 25. Outer, 25,000.	
3802 Connecting bridge, each.	
3826 Nylon bracket, white, black (top fix).	
3832 Clamp for top fixing.	
3833A Intermediate pulley, white, black each.	
3836 Nylon bracket, (face fix).	
3846 Endpieces set with return including pair of pilot runners and 2 x 3816 endpieces, white.	
6063 Overlap arm, each, 10.	
6094 Roller glider with hook, 10, 100.	
6098 Roller glider with eye, white, black.	
6099 Roller glider, white cord 80mm.	
6349 Wave® curtain tape, white, black.	
6363 Iron-on hemming tape.	
6364 Extension, white, black.	
6365 Hanger, white, black.	

All prices shown exclude VAT

	Price Ctg.
Smart Fix Brackets in W/S/BL/MW/AG/AB/CC	A
11118 Smart Fix 60mm Bracket (11200 Set).	
11119 Smart Fix 80mm Bracket (11201 Set).	
11120 Smart Fix 100mm Bracket (11202 Set).	
11121 Smart Fix 120mm Bracket (11203 Set).	
11122 Smart Fix 150mm Bracket (11204 Set).	
11123 Smart Fix 200mm Bracket (11205 Set).	
Square Smart Fix Brackets in W/S/BL/MW/AG/AB/CC	
11139 Smart Fix 60mm Bracket (11210 Set).	
11140 Smart Fix 80mm Bracket (11211 Set).	
11141 Smart Fix 100mm Bracket (11212 Set).	
11142 Smart Fix 120mm Bracket (11213 Set).	
11143 Smart Fix 150mm Bracket (11214 Set).	
11144 Smart Fix 200mm Bracket (11215 Set).	
Smart Fix Bracket Covers	
11116 Smart Fix Bracket Cover.	
11137 Square Smart Fix Bracket Cover.	
Universal Smart Fix Extension Bracket	
11154 Universal Smart Fix 120mm.	
11155 Universal Smart Fix 150mm.	
11156 Universal Smart Fix 200mm	
Colours	E
Other colours special order – see Page 67.	
Tools	E
7103 Portable hand operated bending tool.	
7109 Portable electrically operated bending tool.	
7802 Filler set 3840 at 200cm for 7103/9.	

Enhanced Wave®System supplement per system £	
80mm Single-stack	23.78
80mm Pair-stack	47.61

Bending	
Angle bend £62.50 each.	
Standard radius 20cm.	
Semi-circle or gradual curve £84.00 each.	

	Price Ctg.
System Prices	A
Specific lengths charged at the nearest 25cm increment above.	
Using Standard Gliders	
	W/S/BL MW/AG/AB/CC
cm	£ £
125	120.12 157.67
150	129.53 172.26
175	142.60 190.37
200	152.02 204.96
225	165.08 223.08
250	174.51 237.67
275	187.57 255.79
300	196.99 270.37
325	210.05 288.49
350	219.48 303.08
375	232.54 321.20
400	241.96 335.78
425	255.03 353.90
450	264.45 368.49
475	277.51 386.61
500	286.94 401.19
525	300.00 419.31
550	309.42 433.90
575	322.49 452.02
600	331.92 466.63

Using 60mm Standard Wave Gliders		
cm	W/S/BL	MW/AG/AB/CC
125	147.26	184.02
150	162.36	204.11
175	180.69	227.34
200	195.78	247.44
225	214.11	270.67
250	229.21	290.76
275	247.54	313.99
300	262.64	334.09
325	280.97	357.32
350	296.07	377.41
375	314.40	400.64
400	329.49	420.74
425	347.82	443.97
450	362.92	464.06
475	381.25	487.29
500	396.35	507.39
525	414.68	530.62
550	429.78	550.71
575	448.11	573.94
600	463.21	594.06

Using 80mm Standard Wave Gliders		
cm	W/S/BL	MW/AG/AB/CC
125	139.04	176.05
150	152.49	194.54
175	169.18	216.17
200	182.63	234.67
225	199.32	256.31
250	212.77	274.81
275	229.46	296.44
300	242.91	314.94
325	259.60	336.58
350	273.05	355.07
375	289.73	376.71
400	303.19	395.21
425	319.87	416.84
450	333.33	435.34
475	350.01	456.98
500	363.47	475.48
525	380.15	497.11
550	393.61	515.60
575	410.29	537.24
600	423.76	555.75

Prices above are for systems ready-assembled. Substantial savings can be made for self-assembly. Rail can be supplied in full lengths or cut-to-size with accessories separately.

Enhanced Wave®System supplement per system £	
80mm Single-stack	23.78
80mm Pair-stack	47.61

Rail & Standard Accessories	
3090 Cord 100, metres, 500 metres, white.	
3091 Cord, loom, black.	
3825 Clamp at 30cm intervals, 10, 100.	
6086 Spring stop, white, black each 10, 100.	
6288 Plastic overlap arm, white, black each, 10.	
11190 Rail, silver, white, black, matt white, anodic grey, antique bronze, charcoal in 6m.	
11285 Guide set, silver, white, black matt white, anodic grey, antique bronze, charcoal.	
1148C Screw, 31mm/1 1/4", No. 8 countersunk, 100.	

	Price Ctg.
Standard Gliders	
11301 2C Glider in strip form, white, black at 14 per m, outer 1000.	
Wave Gliders	
11302 Wave 2C Glider-cord 80mm, white, black.	
11303 Wave 2C Glider-cord 60mm, white, black.	
10731 Cord retainer, white, black.	E

Optional Accessories	
(Additional charges may apply)	A
3020 Hook. Metal, 100.	
3571 Hook. Box, 100. Self-service sachets, 25 x 25. Outer, 35,000.	
3582 Hook, white, black Box, 100. Self service. sachets, 25 x 25. Outer, 25,000.	
3599 Hook, white, black Box, 100. Self-service. sachets, 25 x 25. Outer, 25,000.	
3802 Connecting bridge, each.	
3826 Nylon bracket, white, black (top fix).	
3832 Clamp for top fixing.	
3836 Nylon bracket, (face fix).	
6053 Spring Stop, 10.	
6063 Overlap arm, each, 10.	
6064 Endstop.	
6065 Twist eye endstop, white, black each, 10.	
6094 Roller glider with hook, 10, 100.	
6098 Roller glider with eye, white, black 10,100.	
6283 Roller glider, white, 10, 100.	
6349 Wave® curtain tape, white, black.	
6363 Iron-on hemming tape.	
6364 Extension, white, black.	
6365 Hanger, white, black.	
10075 Lead weight 50 gr/m.	
10076 Fabric weight.	
10157 Wedge for recess profile, white, black.	
11230 Recess profile white or black in 6m.	
11238 Recess mask, white, black.	
11295 Endstop, white, silver or black each 10.	

Smart Fix Brackets in W/S/BL/MW/AG/AB/CC	
11118 Smart Fix 60mm Bracket (11200 Set).	
11119 Smart Fix 80mm Bracket (11201 Set).	
11120 Smart Fix 100mm Bracket (11202 Set).	
11121 Smart Fix 120mm Bracket (11203 Set).	
11122 Smart Fix 150mm Bracket (11204 Set).	
11123 Smart Fix 200mm Bracket (11205 Set).	
Square Smart Fix Brackets in W/S/BL/MW/AG/AB/CC	
11139 Smart Fix 60mm Bracket (11210 Set).	
11140 Smart Fix 80mm Bracket (11211 Set).	
11141 Smart Fix 100mm Bracket (11212 Set).	
11142 Smart Fix 120mm Bracket (11213 Set).	
11143 Smart Fix 150mm Bracket (11214 Set).	
11144 Smart Fix 200mm Bracket (11215 Set).	
Smart Fix Bracket Covers	
11116 Smart Fix Bracket Cover.	
11137 Square Smart Fix Bracket Cover.	
Universal Smart Fix Extension Bracket	
11154 Universal Smart Fix 120mm.	
11155 Universal Smart Fix 150mm.	
11156 Universal Smart Fix 200mm.	

Recess Profile and Accessories White or Black		
Charged at the nearest 25cm increment above.		
Add to price	Per Metre	Per Track
White	£30.88	£11.01

Tools	
7245 Notching tool for recess profile 11230	E

Bending	
Angle bend £62.50 each.	
Standard radius 26cm.	
Semi-circle or gradual curve £84.00 each.	

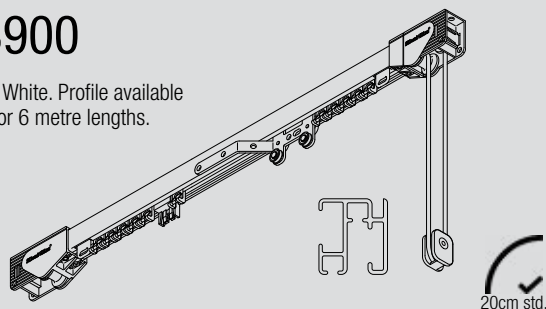
Note: if using recess profile, add an additional 20% to the relevant bending charge above.
Please note: Standard angle radius with recess profile is 50cm



Cord Operated Curtain Track Systems

SG 3900

Supplied in White. Profile available in 5 metre or 6 metre lengths.



	Price Ctg.		Price Ctg.																																										
<p>System Prices Specific lengths charged at the nearest 25cm increment above.</p> <table border="1"> <thead> <tr> <th>cm</th> <th>White £</th> </tr> </thead> <tbody> <tr><td>125</td><td>117.21</td></tr> <tr><td>150</td><td>128.72</td></tr> <tr><td>175</td><td>140.33</td></tr> <tr><td>200</td><td>151.76</td></tr> <tr><td>225</td><td>163.40</td></tr> <tr><td>250</td><td>174.91</td></tr> <tr><td>275</td><td>186.48</td></tr> <tr><td>300</td><td>198.04</td></tr> <tr><td>325</td><td>209.54</td></tr> <tr><td>350</td><td>221.10</td></tr> <tr><td>375</td><td>232.67</td></tr> <tr><td>400</td><td>244.20</td></tr> <tr><td>425</td><td>255.68</td></tr> <tr><td>450</td><td>267.27</td></tr> <tr><td>475</td><td>278.82</td></tr> <tr><td>500</td><td>290.38</td></tr> <tr><td>525</td><td>301.87</td></tr> <tr><td>550</td><td>313.45</td></tr> <tr><td>575</td><td>324.98</td></tr> <tr><td>600</td><td>336.45</td></tr> </tbody> </table> <p>Prices above are for systems ready-assembled. Substantial savings can be made for self-assembly. Rail can be supplied in full lengths or cut-to-size with accessories separately.</p>	cm	White £	125	117.21	150	128.72	175	140.33	200	151.76	225	163.40	250	174.91	275	186.48	300	198.04	325	209.54	350	221.10	375	232.67	400	244.20	425	255.68	450	267.27	475	278.82	500	290.38	525	301.87	550	313.45	575	324.98	600	336.45	A	<p>Optional Accessories (additional charges may apply)</p> <p>3582 Hook, box 100, outer 1,000, outer 20,000. 3599 Hook, box 100, outer, 25,000. 3603 Top fix bracket, white, at 600mm centres, outer of 100. 3151 Clearance spacer (for top boards). 3620 Connecting bridge, each. 3655 Long universal bracket. 3660 Extra long universal bracket, each. 3914 Bracket for return profile, each. 3916 Pilot runner for multi stack system. 3929 Intermediate pulley, white, each 10. 3932 Spring stop, each 10. 3935 Straight overlap arm, each, 10. 3639 Hanger assembly complete, each.</p> <p>Smart Fix Brackets in white, black or silver 11118 Smart Fix 60mm Bracket (11200 Set). 11119 Smart Fix 80mm Bracket (11201 Set). 11120 Smart Fix 100mm Bracket (11202 Set). 11121 Smart Fix 120mm Bracket (11203 Set). 11122 Smart Fix 150mm Bracket (11204 Set). 11123 Smart Fix 200mm Bracket (11205 Set).</p> <p>Square Smart Fix Brackets in white, black or silver 11139 Smart Fix 60mm Bracket (11210 Set). 11140 Smart Fix 80mm Bracket (11211 Set). 11141 Smart Fix 100mm Bracket (11212 Set). 11142 Smart Fix 120mm Bracket (11213 Set). 11143 Smart Fix 150mm Bracket (11214 Set). 11144 Smart Fix 200mm Bracket (11215 Set).</p> <p>Smart Fix Bracket Covers 11116 Smart Fix Bracket Cover. 11137 Square Smart Fix Bracket Cover.</p> <p>Universal Smart Fix Extension Bracket 11154 Universal Smart Fix 120mm. 11155 Universal Smart Fix 150mm. 11156 Universal Smart Fix 200mm.</p>	A
cm	White £																																												
125	117.21																																												
150	128.72																																												
175	140.33																																												
200	151.76																																												
225	163.40																																												
250	174.91																																												
275	186.48																																												
300	198.04																																												
325	209.54																																												
350	221.10																																												
375	232.67																																												
400	244.20																																												
425	255.68																																												
450	267.27																																												
475	278.82																																												
500	290.38																																												
525	301.87																																												
550	313.45																																												
575	324.98																																												
600	336.45																																												
<p>Rail & Standard Accessories</p> <p>18R Screw 25mm/1" No. 8 round head, 100. 3982W White rail, available in 5m or 6m lengths, in outers of 10 lengths only. 3630 Universal nylon bracket, white, at 600mm centres, 100. 3090 Cord, 100 metres, 500 metres. 3915 Endpiece set, incl. pilot runners 3939/3917, white, outer of 20 or 50 only. 3922 Roller glider in strip form at 10 per metre, outer of 1,000 gliders, outer of 6,000 gliders. 3936 Overlap arm, outer of 20 only.</p>	A	<p>Tools</p> <p>7103 Portable hand operated bending tool. 7109 Portable electrically operated bending tool. 0545 Bending kit for 7103/7109 including filler set, blocks, arms and rings. 80018 Slotting tool. 7803 Filler set for 7103/7109, 200cm. 0540 Bending tool for gradual curves.</p>	E																																										
<p>10731 Cord retainer</p>	E	<p>Bending</p> <p>Angle bend £62.50 each. Standard radius 20cm. Gradual curve £84.00 each.</p>																																											

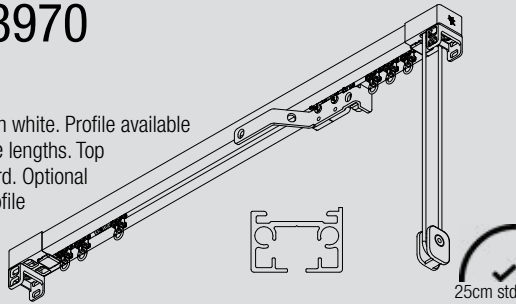
All prices shown exclude VAT



Cord Operated Curtain Track Systems

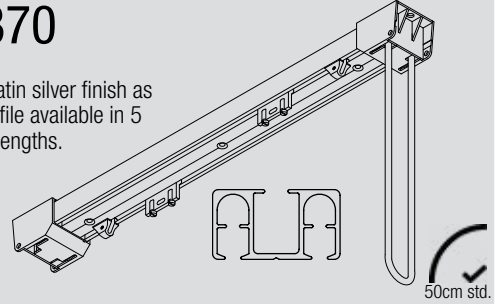
SG 3970

Supplied in white. Profile available in 6 metre lengths. Top as standard. Optional recess profile available.



SG 6370

Supplied in satin silver finish as standard. Profile available in 5 and 6 metre lengths.



	Price Ctg.																																																																																								
System Prices Specific lengths charged at the nearest 25cm increment above.	C																																																																																								
<table border="1"> <thead> <tr> <th>White</th> <th>Wave Standard Roller Gliders</th> <th>Wave Roller Glider 60mm</th> <th>Wave Roller Glider 80mm</th> </tr> <tr> <th>cm</th> <th>£</th> <th>£</th> <th>£</th> </tr> </thead> <tbody> <tr><td>125</td><td>264.79</td><td>307.25</td><td>296.71</td></tr> <tr><td>150</td><td>284.71</td><td>343.76</td><td>329.55</td></tr> <tr><td>175</td><td>311.33</td><td>382.25</td><td>364.50</td></tr> <tr><td>200</td><td>331.26</td><td>418.76</td><td>397.34</td></tr> <tr><td>225</td><td>357.88</td><td>457.25</td><td>432.29</td></tr> <tr><td>250</td><td>377.82</td><td>493.76</td><td>465.13</td></tr> <tr><td>275</td><td>404.44</td><td>532.25</td><td>500.08</td></tr> <tr><td>300</td><td>424.37</td><td>568.76</td><td>532.93</td></tr> <tr><td>325</td><td>450.99</td><td>607.25</td><td>567.87</td></tr> <tr><td>350</td><td>470.92</td><td>643.76</td><td>600.72</td></tr> <tr><td>375</td><td>497.54</td><td>682.25</td><td>635.66</td></tr> <tr><td>400</td><td>517.48</td><td>718.76</td><td>668.51</td></tr> <tr><td>425</td><td>544.10</td><td>757.25</td><td>703.46</td></tr> <tr><td>450</td><td>564.03</td><td>793.77</td><td>736.30</td></tr> <tr><td>475</td><td>590.65</td><td>832.26</td><td>771.25</td></tr> <tr><td>500</td><td>610.58</td><td>868.77</td><td>804.09</td></tr> <tr><td>525</td><td>637.20</td><td>907.26</td><td>839.04</td></tr> <tr><td>550</td><td>657.14</td><td>943.77</td><td>871.90</td></tr> <tr><td>575</td><td>683.76</td><td>982.26</td><td>906.85</td></tr> <tr><td>600</td><td>703.72</td><td>1018.79</td><td>939.70</td></tr> </tbody> </table>	White	Wave Standard Roller Gliders	Wave Roller Glider 60mm	Wave Roller Glider 80mm	cm	£	£	£	125	264.79	307.25	296.71	150	284.71	343.76	329.55	175	311.33	382.25	364.50	200	331.26	418.76	397.34	225	357.88	457.25	432.29	250	377.82	493.76	465.13	275	404.44	532.25	500.08	300	424.37	568.76	532.93	325	450.99	607.25	567.87	350	470.92	643.76	600.72	375	497.54	682.25	635.66	400	517.48	718.76	668.51	425	544.10	757.25	703.46	450	564.03	793.77	736.30	475	590.65	832.26	771.25	500	610.58	868.77	804.09	525	637.20	907.26	839.04	550	657.14	943.77	871.90	575	683.76	982.26	906.85	600	703.72	1018.79	939.70	
White	Wave Standard Roller Gliders	Wave Roller Glider 60mm	Wave Roller Glider 80mm																																																																																						
cm	£	£	£																																																																																						
125	264.79	307.25	296.71																																																																																						
150	284.71	343.76	329.55																																																																																						
175	311.33	382.25	364.50																																																																																						
200	331.26	418.76	397.34																																																																																						
225	357.88	457.25	432.29																																																																																						
250	377.82	493.76	465.13																																																																																						
275	404.44	532.25	500.08																																																																																						
300	424.37	568.76	532.93																																																																																						
325	450.99	607.25	567.87																																																																																						
350	470.92	643.76	600.72																																																																																						
375	497.54	682.25	635.66																																																																																						
400	517.48	718.76	668.51																																																																																						
425	544.10	757.25	703.46																																																																																						
450	564.03	793.77	736.30																																																																																						
475	590.65	832.26	771.25																																																																																						
500	610.58	868.77	804.09																																																																																						
525	637.20	907.26	839.04																																																																																						
550	657.14	943.77	871.90																																																																																						
575	683.76	982.26	906.85																																																																																						
600	703.72	1018.79	939.70																																																																																						
Prices above are for systems ready-assembled. Substantial savings can be made for self-assembly. Rail can be supplied in full lengths or cut-to-size with accessories separately.																																																																																									
Rail & Standard Accessories 3004 Clamp, each, 10, 100. 3090 Cord 100, metres, 500 metres. 10854 Wave overlap support arm, white. 11295 Endstop, white.	A																																																																																								
3971 Profile, white 6m. 10821 Overlap arm, bent, white. 10826 Overlap arm support set. 10840 2C Roller glider, at 10 per m, outer 10, 100. 10852 Wave roller glider cord (80mm pitch), 6.5mm channel. 10887 Wave overlap arm set. 10869 Wave roller glider cord (60mm pitch), 6.5mm channel. 10845 Wave master carrier, single stack 80mm. 10923 Pan head screw M4X12. 11314 Master carrier. 11315 Guide set, white.	C																																																																																								
10731 Cord retainer	E																																																																																								

	Price Ctg.
Optional Accessories (additional charges may apply) 3041 Bracket, each, 100. 3582 Curtain hook, box, 100. Self-service sachets, 25 x 25. Outer, 20,000. 6349 Wave® curtain tape. 6363 Iron-on hemming tape. 6365 Hanger. 7002 Profile protector. 10075 Lead weight 50 gr/m. 10076 Fabric weight. 10867 M4 x 16 screw.	A
Smart Fix Brackets in white, black or silver 11118 Smart Fix 60mm Bracket (11200 Set). 11119 Smart Fix 80mm Bracket (11201 Set). 11120 Smart Fix 100mm Bracket (11202 Set). 11121 Smart Fix 120mm Bracket (11203 Set). 11122 Smart Fix 150mm Bracket (11204 Set). 11123 Smart Fix 200mm Bracket (11205 Set).	
Square Smart Fix Brackets in white, black or silver 11139 Smart Fix 60mm Bracket (11210 Set). 11140 Smart Fix 80mm Bracket (11211 Set). 11141 Smart Fix 100mm Bracket (11212 Set). 11142 Smart Fix 120mm Bracket (11213 Set). 11143 Smart Fix 150mm Bracket (11214 Set). 11144 Smart Fix 200mm Bracket (11215 Set).	
Smart Fix Bracket Covers 11116 Smart Fix Bracket Cover. 11137 Square Smart Fix Bracket Cover.	
Universal Smart Fix Extension Bracket 11154 Universal Smart Fix 120mm. 11155 Universal Smart Fix 150mm. 11156 Universal Smart Fix 200mm.	
5118 Wedge for recess profile. 10820 Overlap arm, straight, white. 10831 Connecting bridge. 10862 Recess profile, white, per metre. 10864 Recess mask, belt return, white. 10865 Mounting support plate.	C
Recess Profile White and Accessories Charged at the nearest 25cm increment above. Add to price Per Metre Per Track White £54.17 £10.24	C
Tools 7246 Notching tool for recess profile 10862	E
Bending For each bend add the following to above system price: Radius/cm 25-99 £187.50 each. Standard radius 25cm Over 99 £352.50 each.	
Note: If using recess profile add an additional 20% to the relevant bending charge above. Please note: Standard radius for 3970 is 25cm. Standard minimum radius with recess profile is 50cm.	

	Price Ctg.																																																				
System Prices Specific lengths charged at the nearest 25cm increment above. Satin Silver	C																																																				
<table border="1"> <thead> <tr> <th>cm</th> <th>£</th> </tr> </thead> <tbody> <tr><td>300</td><td>471.80</td></tr> <tr><td>350</td><td>521.91</td></tr> <tr><td>400</td><td>572.09</td></tr> <tr><td>450</td><td>622.22</td></tr> <tr><td>500</td><td>672.35</td></tr> <tr><td>550</td><td>722.51</td></tr> <tr><td>600</td><td>772.68</td></tr> <tr><td>650</td><td>822.84</td></tr> <tr><td>700</td><td>872.94</td></tr> <tr><td>750</td><td>923.11</td></tr> <tr><td>800</td><td>973.20</td></tr> <tr><td>850</td><td>1023.37</td></tr> <tr><td>900</td><td>1073.52</td></tr> <tr><td>950</td><td>1123.68</td></tr> <tr><td>1000</td><td>1173.82</td></tr> <tr><td>1050</td><td>1223.97</td></tr> <tr><td>1100</td><td>1274.10</td></tr> <tr><td>1150</td><td>1324.19</td></tr> <tr><td>1200</td><td>1374.40</td></tr> <tr><td>1250</td><td>1424.50</td></tr> <tr><td>1300</td><td>1474.67</td></tr> <tr><td>1350</td><td>1524.78</td></tr> <tr><td>1400</td><td>1574.98</td></tr> <tr><td>1450</td><td>1625.09</td></tr> <tr><td>1500</td><td>1675.22</td></tr> </tbody> </table>	cm	£	300	471.80	350	521.91	400	572.09	450	622.22	500	672.35	550	722.51	600	772.68	650	822.84	700	872.94	750	923.11	800	973.20	850	1023.37	900	1073.52	950	1123.68	1000	1173.82	1050	1223.97	1100	1274.10	1150	1324.19	1200	1374.40	1250	1424.50	1300	1474.67	1350	1524.78	1400	1574.98	1450	1625.09	1500	1675.22	
cm	£																																																				
300	471.80																																																				
350	521.91																																																				
400	572.09																																																				
450	622.22																																																				
500	672.35																																																				
550	722.51																																																				
600	772.68																																																				
650	822.84																																																				
700	872.94																																																				
750	923.11																																																				
800	973.20																																																				
850	1023.37																																																				
900	1073.52																																																				
950	1123.68																																																				
1000	1173.82																																																				
1050	1223.97																																																				
1100	1274.10																																																				
1150	1324.19																																																				
1200	1374.40																																																				
1250	1424.50																																																				
1300	1474.67																																																				
1350	1524.78																																																				
1400	1574.98																																																				
1450	1625.09																																																				
1500	1675.22																																																				
Connecting bridge included over 6m. Right hand pull as standard.																																																					
Above prices are for systems ready-assembled. Substantial savings can be made for self-assembly. Rail can be supplied in full lengths or cut-to-size with accessories separately.																																																					
Rail and Standard Accessories 6070 Cord. 6214 Adjustable pilot runner. 6227 Master pilot runner. 6371 Silver rail available in 5m and 6m or cut-to-size 6377 End piece set. 28C Screw countersunk, No. 8 2"/50mm.	C																																																				
6086 Spring stop.	A																																																				
6098 Roller glider with eye. 10 per metre.																																																					
10731 Cord retainer	E																																																				
Special Lengths charged at the nearest 50cm increment above.																																																					

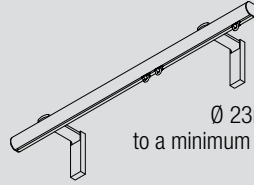
	Price Ctg.
Optional Accessories (additional charges may apply)	C
6079 Overlap arm. 6376 Connecting bridge.	
3599 Nylon hook. 6283 Roller glider. 6369 Insert (Face Fix).	A
Universal Smart Fix Extension Bracket in white or silver 11154 Universal Smart Fix 120mm. 11155 Universal Smart Fix 150mm. 11156 Universal Smart Fix 200mm.	
Colours Other colours special order - see Page 67.	E
Bending Standard right angle £159.50 each. Standard radius 50cm. Semi-circle or gradual curve £472.50 each.	

All prices shown exclude VAT

Metropole

SG 7600

A decorative curtain pole concept combining beautifully crafted design details with contemporary finishes on our pole systems 7600/7610/7620/7630/7640 and 7650.



Hand operated,
Ø 23mm, can be bent
to a minimum radius of 15cm.

Assembled systems below includes Smart Fix Set 11206 as standard.
All bent poles are supplied with Smart Fix Set 11209 as standard.
For additional bracket options please see Page 21.



15cm std.

SG 7600 (SG 1003) HAND DRAWN Ø 23mm – 'SILVER/'BLACK/'WHITE/MATT WHITE/ECRU

Price Category A

Size cm	125	150	175	200	225	250	275	300	325	350	375	400	425	450	475	500	525	550	575	600
Endcap Flush/Stud	109.86	128.97	148.11	167.28	186.37	205.55	224.69	243.84	262.96	282.14	301.30	320.37	339.58	358.68	377.83	396.96	416.10	435.27	454.44	473.57
*Ball End	210.35	229.45	248.59	267.77	286.87	306.02	325.19	344.33	363.44	382.63	401.77	420.85	440.07	459.16	478.33	497.45	516.59	535.76	554.92	574.05
*Spear Finial	177.29	196.41	215.56	234.72	253.82	272.99	292.14	311.29	330.39	349.59	368.73	387.82	407.04	426.13	445.28	464.41	483.54	502.71	521.88	541.02
*Groove Cylinder	173.25	192.35	211.50	230.67	249.76	268.94	288.09	307.23	326.35	345.53	364.68	383.77	402.98	422.07	441.23	460.35	479.50	498.66	517.82	536.96
*Design End Cap	144.55	163.66	182.79	201.97	219.87	240.23	259.40	278.53	297.64	316.83	335.98	355.05	374.27	393.37	412.45	431.65	450.79	469.96	489.13	508.25
*Clear Ball	245.87	264.98	284.13	303.29	322.40	341.55	360.72	379.85	398.96	418.16	437.30	456.38	475.60	494.69	513.88	532.98	552.13	571.28	590.45	609.57
*Ellipse	155.68	174.79	193.93	213.11	232.20	251.36	270.52	289.66	308.76	327.96	347.11	366.20	385.41	404.50	423.65	442.78	461.92	481.09	500.26	519.39
*Taper	141.71	160.81	179.96	199.12	218.22	237.39	256.54	275.70	294.81	313.99	333.13	352.22	371.44	390.53	409.69	428.81	447.96	467.12	486.29	505.42

SG 7600 (SG 1003) HAND DRAWN Ø 23mm – GUNMETAL/CHARCOAL/'CHROME EFFECT

Size cm	125	150	175	200	225	250	275	300	325	350	375	400	425	450	475	500	525	550	575	600
Endcap Flush/Stud	127.49	151.59	175.56	199.57	223.55	247.59	271.61	295.57	319.55	343.58	367.55	391.61	415.59	439.67	463.64	487.65	511.65	535.67	559.66	583.71
*Ball End	227.98	252.07	276.05	300.05	324.04	348.08	372.10	396.06	420.03	444.06	468.04	492.11	516.09	540.15	564.13	588.13	612.14	636.16	660.15	684.21
*Spear Finial	194.93	219.02	243.01	267.02	291.01	315.05	339.07	363.01	386.99	411.02	435.00	459.06	483.04	507.12	498.32	555.10	579.11	603.13	627.09	651.16
*Groove Cylinder	190.88	214.97	238.96	262.97	286.94	310.98	335.00	358.96	382.94	406.96	430.94	455.01	479.00	503.06	527.03	551.04	575.04	599.06	623.05	647.11
*Design End Cap	162.16	186.28	210.25	234.25	258.24	282.28	317.45	330.25	354.24	378.27	402.24	426.32	450.30	474.36	498.32	522.33	546.34	570.36	594.35	618.40
*Clear Ball	263.49	287.59	311.56	335.59	359.58	383.61	407.63	431.58	455.57	479.60	503.58	527.64	551.63	575.69	599.66	623.65	647.66	671.68	695.67	719.72
*Ellipse	173.31	197.40	221.38	231.42	255.41	293.43	317.45	341.37	365.36	389.40	413.38	437.44	461.43	485.49	509.46	533.47	557.47	581.50	605.49	629.54
*Taper	159.34	183.43	207.42	231.42	255.41	279.45	303.46	327.42	351.41	375.44	399.39	423.46	447.44	471.51	495.49	519.50	543.51	567.53	591.51	615.56

The above pricing includes standard glider (11301). For alternatives add the relevant price supplement below.

SG 7600 (SG 1003) GLIDER-SUPPLEMENTS

Size cm	125	150	175	200	225	250	275	300	325	350	375	400	425	450	475	500	525	550	575	600	
Wave™ Standard Supplement																					
60mm Glider-cord	26.06	31.25	36.47	41.69	46.88	52.10	57.30	62.52	67.71	72.93	78.15	83.35	88.57	93.77	98.99	104.18	109.40	114.62	119.82	125.04	
80mm Glider-cord	21.32	25.83	29.74	33.62	38.15	42.03	46.53	50.44	54.32	58.85	62.73	66.61	71.14	75.02	79.55	83.43	87.33	91.84	95.72	99.61	
Enhanced Wave Supplement (with added optional extra)																					
Please add the following to the above 80mm prices)																					
Option 1: 2256 Adjustable Brake						Option 2: 2255 Adjustable Brake & 6366 Carrier						Option 3: Enhanced Wave (80mm only)									
Single Stack: £9.95			Pair Stack: 19.89			Single Stack: £20.21			Pair Stack: £40.40			Single Stack: £37.49			Pair Stack: £75.01						

Bending Angle bend: £ 40.50 each. Standard radius 15cm. Semi-circle or gradual curve: £64.50 each. All bent poles are supplied with Smart Fix extension bracket set 11209.

* Finials not available in chrome effect or silver

** When a Metropole is ordered in black, the standard glider will also be supplied in black

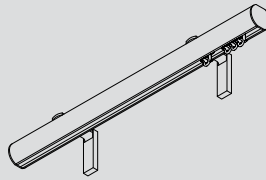
All prices shown exclude VAT



Metropole

SG 7610

A decorative curtain pole concept combining beautifully crafted design details with contemporary finishes on our pole systems 7600/7610/7620/7630/7640 and 7650.



Hand operated, Ø 30mm can be bent to a minimum radius of 25cm

Assembled systems below includes Smart Fix Set 11206 as standard. All bent poles are supplied with Smart Fix Set 11209 as standard. For additional bracket options please see Page 21.



SG 7610 (SG 6130) HAND DRAWN Ø 30mm – 'SILVER/'BLACK/WHITE/MATT WHITE/ECRU

Price Category A

Size (cm)	125	150	175	200	225	250	275	300	325	350	375	400	425	450	475	500	525	550	575	600
Endcaps Flush/Stud	138.15	157.97	177.66	197.40	217.20	236.96	256.62	276.39	296.04	315.86	325.50	355.28	375.00	394.74	414.48	434.21	453.90	473.65	493.37	513.14
*Ball End	247.20	267.02	286.72	306.47	326.26	346.00	365.67	385.43	405.08	424.92	434.56	464.31	484.05	503.80	523.53	543.24	562.92	582.70	602.43	622.19
*Spear Finial	244.52	264.31	284.06	303.78	323.57	343.32	362.97	382.75	402.42	422.24	431.88	461.64	481.36	501.12	520.87	540.59	560.24	580.04	599.77	619.51
*Groove Cylinder	215.67	235.47	255.17	274.91	294.69	314.47	334.13	353.89	373.54	393.37	403.02	432.78	452.51	472.24	491.99	511.70	531.40	551.16	570.89	590.63
*Design Endcap	186.00	205.81	225.53	245.28	265.06	284.82	304.48	324.22	343.89	363.74	373.36	403.11	422.85	442.59	462.33	482.05	501.73	521.50	541.24	560.99
*Clear Ball	282.50	302.32	322.04	341.74	361.55	381.30	400.96	420.73	440.40	460.23	469.88	499.61	519.36	539.07	558.84	578.55	598.22	618.01	637.75	657.48
****Ellipse	202.73	222.54	242.26	261.99	281.78	301.55	321.21	340.96	360.62	380.45	390.09	419.85	439.58	459.33	479.07	498.78	518.47	538.24	557.96	577.72
*Taper	174.35	194.16	213.86	233.59	253.39	273.15	292.81	312.57	332.23	352.05	361.71	391.46	411.20	430.93	450.68	470.39	490.08	509.84	529.58	549.32

SG 7610 (SG 6130) HAND DRAWN Ø 30mm – 'CHROME EFFECT (max 4m length)/GUNMETAL/BRONZE/ANTIQU BRONZE/SAND/TAUPE/ANODIC GREY/CHARCOAL/SLATE GREY/OCHRE

Size (cm)	125	150	175	200	225	250	275	300	325	350	375	400	425	450	475	500	525	550	575	600
Endcaps Flush/Stud	168.35	194.12	219.97	245.63	271.43	297.19	322.95	348.68	374.52	400.27	425.99	451.81	477.59	503.27	529.14	554.84	580.59	606.33	632.11	657.90
*Ball End	277.40	303.17	329.00	354.67	380.47	406.25	431.99	457.71	483.56	509.30	535.03	560.86	586.65	612.32	638.20	663.90	689.64	715.38	741.15	766.95
*Spear Finial	274.73	300.50	326.33	352.00	377.79	403.55	429.32	455.03	480.91	506.63	532.36	558.19	583.96	609.66	635.52	661.23	686.97	712.69	738.47	764.26
*Groove Cylinder	245.87	271.62	297.46	323.13	348.93	374.69	400.45	426.18	452.03	477.77	503.48	529.31	555.10	580.78	606.67	632.35	658.09	683.84	709.62	735.42
*Design Endcap	216.23	241.97	267.82	293.49	319.29	345.04	370.77	396.54	422.37	448.12	473.83	499.66	525.45	551.11	577.01	602.71	628.44	654.17	679.94	705.77
*Clear Ball	312.73	338.47	364.31	390.00	415.79	441.54	467.28	493.04	518.87	544.61	570.34	596.16	621.96	647.61	673.51	699.21	724.93	750.68	776.44	802.27
****Ellipse	232.96	258.71	284.55	310.21	336.01	361.77	387.54	413.27	439.11	464.84	490.56	516.38	542.17	567.86	593.74	619.43	645.16	670.91	696.69	722.49
*Taper	204.55	230.31	256.15	281.83	307.61	333.38	359.14	384.86	410.70	436.45	462.17	487.99	513.77	539.45	565.35	591.02	616.78	642.51	668.31	694.10

The above pricing includes standard glider (11301). For alternatives add the relevant price supplement below.

SG 7610 (SG 6130) GLIDER-SUPPLEMENTS

Size cm	125	150	175	200	225	250	275	300	325	350	375	400	425	450	475	500	525	550	575	600
SG 6283 Roller-Glider	24.95	29.94	34.94	39.93	44.92	49.91	54.90	59.89	64.88	69.87	74.86	79.85	84.84	89.83	94.83	99.82	104.81	109.80	114.78	119.79
Supplement																				
Wave™ Standard Supplement																				
60mm Glider-cord	26.06	31.25	36.47	41.69	46.88	52.10	57.30	62.52	67.71	72.93	78.15	83.35	88.57	93.76	98.98	104.18	109.40	114.62	119.82	125.04
80mm Glider-cord	21.33	25.83	29.74	33.62	38.15	42.03	46.53	50.43	54.31	58.84	62.72	66.60	71.13	75.01	79.54	83.42	87.33	91.83	95.72	99.61
Enhanced Wave Supplement (with added optional extras)																				
Please add the following to the above 80mm wave prices.																				
Option 1: 2256 Adjustable Brake																				
Single Stack: £9.95																				
Pair Stack: £19.89																				
Option 2: 2255 Adjustable Brake & 6366 Carrier																				
Single Stack: £20.21																				
Pair Stack: £40.40																				
Option 3: Enhanced Wave (80mm only)																				
Single Stack: £37.49																				
Pair Stack: £75.01																				
SG 6099 Wave Roller-Glider																				
Supplement (80mm)	95.19	114.23	133.28	152.31	171.35	190.40	209.43	228.48	247.51	266.82	285.59	304.63	323.66	342.71	361.74	380.79	399.82	418.86	437.90	456.94

Internal connecting bridge 6635 £26.12 each.

Bending 7610 Angle bend £92.00 each. Standard radius 25cm. Semi circle or gradual curve £125.00 each. All bent poles are supplied with Smart Fix extension bracket set 11209.

* Finials are not available in chrome effect or silver

** When a Metropole is ordered in black, the standard glider will also be supplied in black

*** Ellipse finials on 30mm poles can only be face fixed.

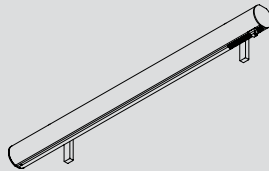
All prices shown exclude VAT

Metropole



SG 7620

A decorative curtain pole concept combining beautifully crafted design details with contemporary finishes on our pole systems 7600/7610/7620/7630/7640 and 7650.



Assembled systems below includes Smart Fix Set *11206 as standard. All bent poles are supplied with Smart Fix Set 11209 as standard. For additional bracket options please see Page 21.

Hand operated, Ø 50mm
can be bent to a minimum
radius of 50cm



SG 7620 (SG 6140) HAND DRAWN Ø 50mm – **SILVER/**BLACK/WHITE/MATT WHITE/ECRU

Price Category A

Size (cm)	125	150	175	200	225	250	275	300	325	350	375	400	425	450	475	500	525	550	575	600
Endcap Flush/Stud	169.42	181.51	214.04	246.57	258.66	291.16	303.28	335.79	368.32	380.39	412.90	445.45	457.58	490.06	502.17	534.65	567.20	579.24	612.34	644.32
**Ball End	385.03	397.10	429.64	462.16	474.27	506.76	518.87	551.39	573.62	595.99	628.51	661.04	673.17	705.66	717.78	750.25	782.80	794.85	827.94	859.93
**Spear Finial	484.69	496.78	529.32	561.82	573.94	606.43	618.56	651.06	683.59	695.66	728.17	760.73	772.85	805.33	817.45	849.93	882.48	894.51	927.60	959.60
**Groove Cylinder	336.28	348.37	380.91	413.42	425.52	458.03	470.14	502.65	535.28	547.25	579.76	612.31	624.44	656.92	669.04	701.51	734.07	746.11	779.20	811.19
**Design Endcap	237.32	249.40	281.95	314.46	326.56	359.07	371.17	403.69	436.22	436.54	480.79	513.35	525.48	557.96	570.07	602.55	635.10	647.15	680.22	712.22
**Clear Ball	442.98	455.08	487.63	520.17	532.24	564.75	576.85	609.39	641.89	653.98	686.48	719.04	731.16	763.65	775.75	808.24	840.79	852.85	885.93	917.93
**Ellipse	424.90	436.98	469.52	502.03	514.15	546.63	558.76	591.27	623.80	635.87	668.38	700.94	713.06	745.54	757.66	790.13	822.69	834.72	867.81	899.81
**Taper	341.23	353.31	385.86	418.39	430.48	462.97	475.09	507.60	540.12	552.19	584.71	617.26	629.39	661.88	673.98	706.46	739.01	751.06	784.14	816.13

SG 7620 (SG 6140) HAND DRAWN Ø 50mm – TAUPE/ANTIQUÉ BRONZE/ANODIC GREY/SLATE GREY/BRONZE

Size (cm)	125	150	175	200	225	250	275	300	325	350	375	400	425	450	475	500	525	550	575	600
Endcap Flush/Stud	283.92	306.45	349.12	391.96	414.37	457.21	479.52	522.46	565.25	587.65	630.48	673.30	695.77	738.61	760.98	803.83	846.60	869.08	911.90	954.69
Ball End	499.50	522.06	564.71	607.55	629.97	672.81	695.24	738.06	780.86	803.27	846.06	888.90	911.35	954.22	976.58	1019.44	1062.20	1084.68	1127.49	1170.32
Spear Finial	599.17	621.72	664.38	707.23	729.64	772.46	794.89	837.73	880.53	902.92	945.75	988.58	1011.03	1053.90	1076.26	1119.11	1161.87	1184.35	1227.15	1269.97
Groove Cylinder	450.76	473.32	515.98	558.82	581.23	624.05	646.49	689.32	732.12	754.52	797.33	840.17	862.63	905.48	927.85	970.69	1013.46	1035.94	1078.75	1121.56
Design Endcap	351.81	374.35	417.01	459.85	482.27	525.09	547.53	590.35	633.16	655.55	698.37	741.22	763.66	806.51	828.89	871.73	914.50	936.98	979.79	1022.59
Clear Ball	557.50	580.03	622.70	665.53	687.96	730.79	753.22	796.05	838.84	861.23	904.07	946.90	969.34	1012.19	1034.56	1077.42	1120.20	1142.67	1185.48	1228.29
*Ellipse	539.39	561.93	604.59	647.44	669.85	712.68	735.10	777.93	820.72	831.37	885.95	928.78	951.24	994.10	1016.47	1059.31	1102.08	1124.55	1167.36	1210.16
*Taper	455.71	478.26	520.93	563.76	586.17	629.01	651.43	694.27	737.07	759.46	802.30	845.12	867.57	910.43	932.80	975.65	1018.41	1040.89	1083.71	1126.50

The above pricing includes standard glider (11301). For alternatives add the relevant price supplement below.

SG 7620 (SG 6140) GLIDER – SUPPLEMENTS

Size (cm)	125	150	175	200	225	250	275	300	325	350	375	400	425	450	475	500	525	550	575	600									
SG 6283 Roller-Glider	24.95	29.94	34.94	39.93	44.92	49.91	54.90	59.89	64.88	69.87	74.86	79.85	84.84	89.83	94.83	99.82	104.81	109.80	114.78	119.79									
Supplement																													
Wave®Standard Supplement																													
60mm Glider-cord	26.06	31.25	36.47	41.69	46.88	52.10	57.30	62.52	67.71	72.93	78.15	83.35	88.57	93.76	98.98	104.18	109.40	114.62	119.82	125.04									
80mm Glider-cord	21.33	25.83	29.74	33.62	38.15	42.03	46.53	50.43	54.31	58.84	62.72	66.60	71.13	75.01	79.54	83.42	87.33	91.83	95.72	99.61									
Enhanced Wave Supplement																													
Please add the following to the above 80mm wave prices.																													
Option 1: 2256 Adjustable Brake					Option 2: 2255 Adjustable Brake & 6366 Carrier					Option 3: Enhanced Wave (80mm only)																			
Single Stack: £9.95					Pair Stack: £19.89					Single Stack: £20.21					Pair Stack: £40.40					Single Stack: £37.49					Pair Stack: £75.01				
SG 6099 Wave Roller-Glider (Not for use on bent 50mm poles)																													
Supplement (80mm)*	95.19	114.23	133.28	152.31	171.35	190.40	209.43	228.48	247.51	266.82	285.59	304.63	323.66	342.71	361.74	380.79	399.82	418.86	437.90	456.94									

7620 Connecting Bridge, 11783 see parts list for prices.

Bending Angle bend: £102.00 each. Standard radius 50cm. Semi-circle or gradual curve: £136.50 each.

Bent tracks not compatible with 6099 Wave Roller Glider.

All bent poles are supplied with Smart Fix extension bracket set 11209.

*Ellipse finials on 50mm poles can only be face fixed, standard bracket supplied with Ellipse or Taper finials are 11207.

** Finials are not available in silver

*** When a Metropole is ordered in black, the standard glider will also be supplied in black

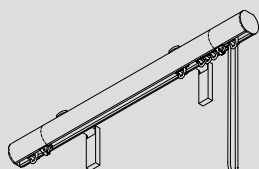
All prices shown exclude VAT



Metropole

SG 7630

A decorative curtain pole concept combining beautifully crafted design details with contemporary finishes on our pole systems 7600/7610/7620/7630/7640 and 7560.



Cord operated, Ø 30mm can be bent to a minimum radius of 30cm

Assembled systems below includes Smart Fix Set 11206 as standard.
All bent poles are supplied with Smart Fix Set 11209 as standard.
For additional bracket options please see Page 21.

All bent poles are supplied with adjustable brackets.



SG 7630 (SG 6120) CORD DRAWN Ø 30mm – **BLACK/WHITE/MATT WHITE/ECRU

Price Category A

Size cm	125	150	175	200	225	250	275	300	325	350	375	400	425	450	475	500	525	550	575	600
Flush/Stud Endcap	241.54	266.93	292.52	318.00	343.44	369.01	394.45	419.65	445.49	470.95	496.45	521.94	547.45	572.92	598.43	623.91	649.39	674.88	700.40	725.88
Ball End	350.54	375.97	401.56	427.03	452.49	478.06	503.48	528.70	554.54	579.99	605.49	630.99	656.48	681.96	707.49	732.97	758.45	783.93	809.46	834.94
Spear Finial	347.88	373.31	398.89	424.36	449.81	475.37	500.82	526.04	551.85	577.32	602.80	628.29	653.81	679.29	704.79	730.27	755.74	781.22	806.76	832.24
Groove Cylinder	319.03	344.44	370.03	395.50	420.95	446.53	471.97	497.16	522.98	548.45	573.95	599.44	624.94	650.41	675.93	701.42	726.90	752.38	777.92	803.38
Design Endcap	289.38	314.77	340.35	365.83	391.32	416.87	442.31	467.50	493.32	518.79	544.30	569.80	595.29	620.76	646.25	671.77	697.25	722.74	748.24	773.74
Clear Ball	385.87	411.26	436.84	462.34	487.80	513.38	538.81	564.00	589.83	615.31	640.78	666.31	691.81	717.26	742.76	768.25	793.75	819.23	844.76	870.22
***Ellipse	306.12	331.52	357.10	382.58	408.03	433.60	459.04	484.23	510.06	535.53	561.02	586.52	612.03	637.50	663.01	688.51	713.98	739.46	764.99	790.45
Taper	277.72	303.12	328.72	354.20	379.65	405.21	430.65	455.84	481.67	507.14	532.63	558.13	583.63	609.10	634.62	660.12	685.59	711.07	736.59	762.07

SG 7630 (SG 6120) CORD DRAWN Ø 30mm – OCHRE/GUNMETAL/BRONZE/ANTIQU BRONZE/SAND/TAUPE/ANODIC GREY/CHARCOAL/SLATE GREY/CHROME EFFECT (max 4m length)

Size cm	125	150	175	200	225	250	275	300	325	350	375	400	425	450	475	500	525	550	575	600
Flush/Stud Endcap	273.45	305.44	337.28	369.19	401.07	433.00	464.93	496.73	528.65	560.54	592.47	624.37	656.20	688.08	720.09	751.91	783.79	815.70	847.60	879.47
*Ball End	382.51	414.47	446.32	478.24	510.14	542.05	573.97	605.78	637.68	669.58	701.51	733.42	765.25	797.14	829.14	860.96	892.86	924.74	956.64	988.52
*Spear Finial	379.83	411.79	443.65	475.56	507.43	539.37	571.31	603.11	635.02	666.89	698.83	730.73	762.56	794.47	826.46	858.26	890.17	922.07	953.98	985.83
*Groove Cylinder	350.97	382.94	414.78	446.69	478.57	510.52	542.43	574.24	606.14	638.25	669.98	701.87	733.71	765.60	797.60	829.41	861.30	893.21	925.10	956.97
*Design Endcap	321.32	353.28	385.11	417.03	448.90	480.86	512.79	544.58	576.49	608.38	640.32	672.23	704.05	735.94	767.93	799.73	831.65	863.53	895.44	927.31
*Clear Ball	417.81	449.79	481.63	513.55	545.41	577.35	609.28	641.08	673.01	704.90	736.80	768.72	800.54	832.46	864.42	896.23	928.14	960.04	991.94	1023.82
***Ellipse	338.06	370.01	401.85	433.77	465.65	497.59	529.50	561.31	593.23	625.13	657.06	688.95	720.78	752.67	784.68	816.49	848.37	880.28	912.18	944.06
*Taper	309.66	341.63	373.47	405.38	437.26	469.20	501.12	532.91	564.83	596.73	628.66	660.55	692.39	724.28	756.29	788.10	819.98	851.88	883.79	915.65

The above pricing includes standard glider (11301). For alternative glider options including wave and roller glider, please add the relevant price supplement below.

SG 7630 (SG 6120) GLIDER-SUPPLEMENTS

Size cm	125	150	175	200	225	250	275	300	325	350	375	400	425	450	475	500	525	550	575	600
SG 6283 Roller-Glider Supplement	24.95	29.94	34.94	39.93	44.92	49.91	54.90	59.89	64.88	69.87	74.86	79.85	84.84	89.83	94.83	99.82	104.81	109.80	114.78	119.79
Wave™ Standard Supplement																				
60mm Glider-cord	26.06	31.25	36.47	41.69	46.88	52.10	57.30	62.52	67.71	72.93	78.15	83.35	88.57	93.76	98.98	104.18	109.40	114.62	119.82	125.04
80mm Glider-cord	21.33	25.83	29.74	33.62	38.15	42.03	46.53	50.43	54.31	58.84	62.72	66.60	71.13	75.01	79.54	83.42	87.33	91.83	95.72	99.61
Enhanced Wave Supplement (Please add the following to the above 80mm wave prices)																				
Single Stack: £23.78 Pair Stack: £47.61																				
SG 6099 Wave Roller-Glider Supplement (80mm)	95.19	114.23	133.28	152.31	171.35	190.40	209.43	228.48	247.51	266.82	285.59	304.63	323.66	342.71	361.74	380.79	399.82	418.86	437.90	456.94

- Includes 1 x 10731 Cord retainer

Bending Angle bend: £96.50 each. Standard radius 30cm. Semi-circle or gradual curve: £131.00 each. All bent poles are supplied with Smart Fix extension bracket set 11209.

Intermediate pulley 11663, see parts list for prices.

* Finials are not available in chrome effect

** When a Metropole is ordered in black, the standard glider will also be supplied in black

*** Ellipse finials on 30mm poles can only be faced fixed.

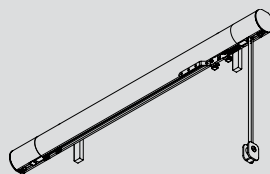
All prices shown exclude VAT



Metropole

SG 7640

A decorative curtain pole concept combining beautifully crafted design details with contemporary finishes on our pole systems 7600/7610/7620/7630/7640 and 7650.



Assembled systems below includes Smart Fix Set *11206 as standard. All bent poles are supplied with Smart Fix Set 11209 as standard. For additional bracket options please see Page 21.

Cord operated, Ø 50mm can be bent to a minimum radius of 60cm



68cm std.

SG 7640 (SG 6160) CORD DRAWN Ø 50mm – **BLACK/WHITE/MATT WHITE/ECRU

Price Category A

Size (cm)	125	150	175	200	225	250	275	300	325	350	375	400	425	450	475	500	525	550	575	600
Endcap Flush/Stud	310.72	326.01	361.65	397.30	412.56	448.25	463.47	499.16	534.81	550.06	585.72	621.39	636.68	672.31	687.58	723.26	758.91	774.16	809.81	845.50
Ball End	526.32	541.59	577.23	612.89	628.16	663.85	679.08	714.77	750.40	765.66	801.30	837.00	852.26	887.90	903.16	938.82	974.50	989.75	1025.42	1061.08
Spear Finial	625.98	641.27	676.93	712.57	727.83	763.52	778.74	814.42	850.07	865.32	900.98	936.65	951.94	987.57	1002.83	1038.52	1074.19	1089.43	1125.09	1160.77
Groove Cylinder	477.57	492.86	528.51	564.16	579.42	615.11	630.34	666.01	701.67	716.92	752.58	788.26	803.53	839.16	854.43	890.11	925.78	941.03	976.68	1012.36
Design Endcap	378.61	393.90	429.55	465.20	480.45	516.14	531.38	567.05	602.70	617.95	653.62	689.29	704.57	740.21	755.46	791.15	826.81	842.08	877.70	913.39
Clear Ball	584.32	599.56	635.24	670.89	686.14	721.84	737.06	772.75	808.40	823.66	859.29	894.99	910.25	945.89	961.15	996.82	1032.51	1047.73	1083.41	1119.06
Ellipse	566.19	581.48	617.13	652.78	668.04	703.73	718.95	754.04	790.28	805.53	841.19	876.86	892.14	927.78	943.04	978.73	1014.40	1029.64	1065.30	1100.98
Taper	482.52	497.80	533.47	569.12	584.37	620.06	635.28	670.96	706.62	721.87	757.53	793.20	808.49	844.11	859.38	895.06	930.73	945.97	981.62	1017.30

SG 7640 (SG 6160) CORD DRAWN Ø 50mm – TAUPE/ANTIQUÉ BRONZE/ANODIC GREY/SLATE GREY/BRONZE

Size (cm)	125	150	175	200	225	250	275	300	325	350	375	400	425	450	475	500	525	550	575	600
Endcap Flush/Stud	405.49	428.77	472.46	516.19	539.51	583.19	606.49	650.24	693.94	717.22	760.92	804.67	827.93	871.63	894.96	938.68	982.33	1005.66	1049.39	1093.10
Ball End	621.08	644.37	688.06	731.80	755.11	798.78	822.09	865.84	909.54	932.80	976.53	1020.27	1043.51	1087.23	1110.84	1154.27	1197.95	1221.27	1264.97	1308.70
Spear Finial	720.75	744.03	787.71	831.48	854.80	898.46	921.76	965.51	1009.20	1032.48	1076.20	1119.93	1143.20	1186.90	1210.23	1253.93	1297.60	1320.92	1364.65	1408.37
Groove Cylinder	572.34	595.62	639.31	683.07	706.38	750.06	773.35	817.46	860.80	884.08	927.78	971.54	994.79	1038.49	1061.82	1105.54	1149.20	1172.52	1216.24	1260.40
Design Endcap	473.38	497.86	540.35	584.09	607.42	651.08	674.40	718.14	761.84	785.12	828.82	872.57	895.83	939.52	962.85	1006.58	1050.24	1073.56	1117.28	1160.99
Clear Ball	679.06	702.34	746.02	789.76	813.08	856.74	880.05	925.86	967.49	990.77	1034.48	1078.23	1101.49	1145.20	1168.52	1212.24	1255.90	1279.23	1322.94	1366.66
Ellipse	660.97	684.25	727.92	771.69	795.01	838.67	861.97	905.72	949.41	972.69	1016.40	1060.14	1083.41	1127.11	1150.44	1194.14	1237.81	1261.13	1304.87	1348.58
Taper	577.30	600.58	644.28	688.01	711.33	755.00	778.30	822.04	865.76	889.01	932.74	976.48	999.75	1043.44	1066.77	1110.49	1154.15	1177.48	1221.20	1264.91

The above pricing includes standard glider (11301). For alternatives add the relevant price supplement below.

SG 7640 (SG 6160) GLIDER – SUPPLEMENTS

Size	125	150	175	200	225	250	275	300	325	350	375	400	425	450	475	500	525	550	575	600
SG 6283 Roller-Glider	24.95	29.94	34.94	39.93	44.92	49.91	54.90	59.89	64.88	69.87	74.86	79.85	84.84	89.83	94.83	99.82	104.81	109.80	114.78	119.79
Supplement																				
Wave™ Standard Supplement																				
60mm Glider-cord	26.06	31.25	36.47	41.69	46.88	52.10	57.30	62.52	67.71	72.93	78.15	83.35	88.57	93.76	98.98	104.18	109.40	114.62	119.82	125.04
80mm Glider-cord	21.33	25.83	29.74	33.62	38.15	42.03	46.53	50.43	54.31	58.84	62.72	66.60	71.13	75.01	79.54	83.42	87.33	91.83	95.72	99.61
Enhanced Wave Supplement																				
Please add the following to the above 80mm wave prices.																				
Enhanced Wave																				
Single Stack: £23.78																				
Pair Stack: £47.61																				
SG 6099 Wave Roller-Glider (Not for use on bent 50mm poles)																				
Supplement (80mm)*	95.19	114.23	133.28	152.31	171.35	190.40	209.43	228.48	247.51	266.82	285.59	304.63	323.66	342.71	361.74	380.79	399.82	418.86	437.90	456.94

7640 Intermediate Pulley 11664, see parts list for prices.

Bending Angle bend: £102.00 each. Standard radius 68cm. Semi-circle or gradual curve: £136.50 each.

Bent tracks not compatible with 6099 Wave Roller Glider.

All bent poles are supplied with Smart Fix extension bracket set 11209.

*Ellipse finials on 50mm poles can only be face fixed, standard brackets supplied with Ellipse or Taper finials are 11207.

**When a Metropole is ordered in black, the standard glider will also be supplied in black

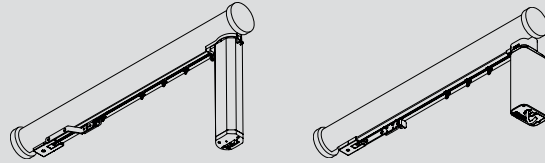
All prices shown exclude VAT



Metropole

SG 7650

A decorative curtain pole concept combining beautifully crafted design details with contemporary finishes on our pole systems 7600/7610/7620/7630/7640 and 7650.



Electrically operated,
Ø 50mm straight only.

All assembled systems below includes Smart Fix Set *11206 as standard.

Electric Metropole SG 7650 (SG 6150) System – 5100 B Version

Price Category A

Size (cm)	125	150	175	200	225	250	275	300	325	350	375	400	425	450	475	500	525	550	575	600
**Silver/White/Black/Ecru/Matt White																				
Endcaps Flush/Stud	1049.76	1050.90	1110.46	1133.48	1258.99	1282.01	1309.28	1332.30	1489.94	1491.13	1540.23	1573.57	1688.76	1722.10	1749.38	1772.40	1795.42	1786.28	1809.30	1832.33
**Ball End	1265.35	1266.50	1326.06	1349.08	1474.58	1497.60	1524.87	1547.89	1705.54	1706.73	1755.83	1789.17	1904.35	1937.70	1964.98	1988.00	2011.02	2001.88	2024.90	2047.91
**Spear Finial	1365.02	1366.17	1425.73	1448.75	1574.25	1597.27	1624.54	1647.56	1805.21	1806.40	1855.50	1888.84	2004.02	2037.37	2064.65	2087.67	2110.69	2101.55	2124.57	2147.58
**Groove Cylinder	1216.62	1217.76	1277.32	1300.34	1425.85	1448.87	1476.14	1499.16	1656.80	1657.99	1707.09	1740.43	1855.62	1888.96	1916.24	1939.26	1962.28	1953.14	1976.16	1999.17
**Design Endcap	1117.66	1118.80	1178.36	1201.38	1326.89	1349.90	1377.17	1400.19	1557.84	1559.03	1608.13	1641.47	1756.66	1790.00	1817.28	1840.30	1863.32	1854.18	1877.20	1900.21
**Clear Ball	1323.34	1324.49	1384.05	1407.07	1532.57	1555.59	1582.86	1605.88	1763.53	1764.72	1813.82	1847.16	1962.34	1995.69	2022.97	2045.99	2069.01	2059.87	2082.89	2105.91
**Ellipse	1305.23	1306.37	1365.94	1388.96	1514.46	1537.48	1564.75	1587.77	1745.42	1746.60	1795.71	1829.05	1944.23	1977.57	2004.86	2027.88	2050.90	2041.76	2064.78	2087.80
**Taper	1221.57	1222.71	1282.27	1305.29	1430.80	1453.82	1481.09	1504.10	1661.75	1662.94	1712.04	1745.38	1860.57	1893.91	1921.19	1944.21	1967.23	1958.09	1981.11	2004.14
Anodic Grey/Slate Grey/Antique Bronze/Taupe/Bronze																				
Endcaps Flush/Stud	1098.17	1104.48	1169.24	1197.45	1328.09	1356.32	1388.76	1416.96	1579.80	1586.17	1640.43	1678.98	1799.33	1837.83	1870.31	1898.53	1926.74	1922.80	1951.02	1979.24
Ball End	1313.77	1320.08	1384.84	1413.04	1543.69	1571.92	1604.36	1632.56	1795.40	1801.77	1856.03	1894.58	2014.93	2053.42	2085.91	2114.12	2142.34	2138.40	2166.62	2194.84
Spear Finial	1413.45	1419.75	1484.51	1512.71	1643.36	1671.59	1704.03	1732.23	1895.07	1901.44	1955.70	1994.25	2114.60	2153.09	2185.58	2213.79	2242.01	2238.07	2266.29	2294.51
Groove Cylinder	1265.03	1271.34	1336.10	1364.31	1494.95	1523.18	1555.62	1583.82	1746.66	1753.03	1807.29	1845.84	1966.19	2004.69	2037.17	2065.39	2093.60	2089.66	2117.88	2146.10
Design Endcap	1166.06	1172.38	1237.14	1265.34	1395.99	1424.22	1456.66	1484.86	1647.70	1654.07	1708.33	1746.88	1867.23	1905.73	1938.21	1966.42	1994.64	1990.70	2018.92	2047.14
Clear Ball	1371.76	1378.07	1442.83	1471.03	1601.68	1629.91	1662.35	1690.55	1853.39	1859.76	1914.02	1952.57	2072.92	2111.41	2143.90	2172.11	2200.33	2196.39	2224.61	2252.84
*Ellipse	1353.66	1359.96	1424.72	1452.92	1583.56	1611.80	1644.23	1672.43	1835.28	1841.65	1895.90	1934.46	2054.81	2093.30	2125.78	2154.00	2182.22	2178.28	2206.50	2234.72
*Taper	1269.98	1276.29	1341.05	1369.26	1499.90	1528.13	1560.57	1588.77	1751.61	1757.98	1812.24	1850.79	1971.14	2009.64	2042.12	2070.34	2098.55	2094.61	2122.83	2151.05

Electric Metropole SG 7650 (SG 6150) System – 5100 R Version

Size (cm)	125	150	175	200	225	250	275	300	325	350	375	400	425	450	475	500	525	550	575	600
**Silver/White/Black/Ecru/Matt White																				
Endcaps Flush/Stud	1130.37	1131.51	1190.97	1213.99	1339.49	1362.51	1389.78	1412.80	1570.45	1571.63	1620.74	1654.08	1769.37	1802.71	1830.00	1853.02	1876.04	1866.90	1889.92	1912.94
**Ball End	1345.97	1347.11	1406.57	1429.59	1555.09	1578.11	1605.38	1628.40	1786.05	1787.23	1836.34	1869.68	1984.97	2018.31	2045.59	2068.61	2091.63	2082.50	2105.51	2128.53
**Spear Finial	1445.65	1446.78	1506.24	1529.26	1654.76	1677.78	1705.05	1728.07	1885.72	1886.90	1936.00	1969.35	2084.64	2117.98	2145.26	2168.28	2191.30	2182.16	2205.18	2228.20
**Groove Cylinder	1297.23	1298.37	1357.83	1380.85	1506.35	1529.37	1556.64	1579.66	1737.31	1738.49	1787.60	1820.94	1936.23	1969.57	1996.86	2019.88	2042.89	2033.76	2056.78	2079.80
**Design Endcap	1198.27	1199.41	1258.87	1281.89	1407.39	1430.41	1457.68	1480.70	1638.35	1639.53	1688.64	1721.98	1837.27	1870.61	1897.89	1920.91	1943.93	1934.80	1957.81	1980.83
**Clear Ball	1403.95	1405.10	1464.56	1487.58	1613.08	1636.10	1663.37	1686.39	1844.04	1845.22	1894.33	1927.67	2042.96	2076.30	2103.58	2126.60	2149.62	2140.49	2163.50	2186.52
**Ellipse	1385.85	1386.99	1446.44	1469.46	1594.97	1617.99	1645.26	1668.28	1825.92	1827.11	1876.21	1909.55	2024.85	2058.19	2085.47	2108.49	2131.51	2122.37	2145.39	2168.41
**Taper	1302.18	1303.32	1362.78	1385.80	1511.30	1534.32	1561.59	1584.61	1742.26	1743.44	1792.55	1825.89	1941.18	1974.52	2001.81	2024.83	2047.84	2038.71	2061.73	2084.75
Anodic Grey/Slate Grey/Antique Bronze/Taupe/Bronze																				
Endcaps Flush/Stud	1178.78	1185.10	1249.75	1277.95	1408.59	1436.83	1469.26	1497.47	1660.31	1666.68	1720.93	1759.49	1879.95	1918.44	1950.92	1979.14	2007.36	2003.42	2031.64	2059.85
Ball End	1394.39	1400.70	1465.35	1493.55	1624.19	1652.42	1684.86	1713.06	1875.91	1882.28	1936.53	1975.09	2095.55	2134.04	2166.52	2194.74	2222.96	2219.02	2247.23	2275.44
Spear Finial	1494.06	1500.37	1565.02	1593.22	1723.86	1752.09	1784.53	1812.73	1975.58	1981.95	2036.20	2074.76	2195.22	2233.71	2266.19	2294.41	2322.63	2318.69	2346.90	2375.13
Groove Cylinder	1345.64	1351.96	1416.61	1444.81	1575.45	1603.69	1636.12	1664.33	1827.17	1833.54	1887.79	1926.35	2046.81	2085.30	2117.78	2146.00	2174.22	2170.28	2198.50	2226.71
Design Endcap	1246.68	1247.80	1312.65	1340.85	1471.49	1504.73	1537.16	1565.36	1728.21	1734.58	1788.83	1827.39	1947.85	1986.34	2018.82	2047.04	2075.26	2071.32	2099.53	2127.74
Clear Ball	1452.38	1458.69	1523.34	1551.54	1682.18	1710.41	1742.85	1771.05	1933.90	1940.27	1994.52	2033.08	2153.54	2192.03	2224.51	2252.73	2280.95	2277.01	2305.22	2333.44
*Ellipse	1434.26	1440.57	1505.23	1533.43	1664.07	1692.30	1724.74	1752.94	1915.79	1922.15	1976.41	2014.97	2135.42	2173.92	2206.40	2234.62	2262.83	2258.89	2287.11	2315.29
*Taper	1350.60	1356.91	1421.56	1449.76	1580.40	1608.64	1641.07	1669.28	1832.12	1838.49	1892.74	1931.30	2051.76	2090.25	2122.73	2150.95	2179.17	2175.23	2203.45	2231.67

Electric Metropole SG 7650 (SG 6150) System – 5100 T Version

Size (cm)	125	150	175	200	225	250	275	300	325	350	375	400	425	450	475	500	525	550	575	600
**Silver/White/Black/Ecru/Matt White																				
Endcaps Flush/Stud	1244.79	1245.93	1305.39	1328.41	1453.91	1476.93	1504.20	1527.22	1684.87	1686.06	1735.16	1768.50	1883.68	1917.02	1944.31	1967.33	1990.35	1981.21	2004.23	2027.25
**Ball End	1460.39	1461.53	1520.99	1544.01	1669.51	1692.53	1719.80	1742.82	1900.47	1901.65	1950.76	1984.10	2099.28	2132.62	2159.91	2182.93	2205.94	2196.81	2219.83	2242.85
**Spear Finial	1560.06	1561.20	1620.66	1643.68	1769.18	1792.20	1819.47	1842.49	2000.14	2001.32	2050.43	2083.77	2198.95	2232.29	2259.58	2282.60	2305.61	2296.48	2319.50	2342.51
**Groove Cylinder	1411.66	1412.79	1472.25	1495.27	1620.77	1643.79	1671.06	1694.08	1851.73	1852.92	1902.02	1935.36	2050.54	2083.88	2111.17	2134.19	2157.21	2148.07	2171.09	2194.11
**Design Endcap	1312.68	1313.83	1373.29	1396.31	1521.81	1544.83	1572.10	1595.12	1752.77	1753.95	1803.06	1836.40	1951.58	1984.92	2012.21	2035.23	2058.25	2049.11	2072.13	2095.15
**Clear Ball	1518.37	1519.52	1578.98	1602.00	1727.50	1750.52	1777.79	1800.81	1958.46	1959.64	2008.75	2042.09	2157.27	2190.61	2217.90	2240.92	2263.93	2254.80	2277.82	2300.84
**Ellipse	1500.27	1501.41	1560.87	1583.88	1709.39	1732.41	1759.68	1782.70	1940.34	1941.53	1990.63	2023.98	2139.16	2172.50	2199.78	2222.80	2245.82	2236.69	2259.70	2282.68
**Taper	1416.61	1417.74	1477.20	1500.22	1625.72	1648.74	1676.01													



Metropole

Electric Metropole SG 7650 (SG 6150) System – 5100 TC Version

Price Category A

Size	125	150	175	200	225	250	275	300	325	350	375	400	425	450	475	500	525	550	575	600
**Silver/White/Black/Ecru/Matt White																				
Endcaps Flush/Stud	1325.40	1326.55	1386.00	1409.02	1534.53	1557.55	1584.82	1607.84	1765.48	1766.67	1815.77	1849.12	1964.30	1997.64	2024.92	2047.94	2070.96	2061.82	2084.84	2107.86
**Ball End	1541.00	1542.15	1601.60	1624.62	1750.13	1773.15	1800.42	1823.43	1981.08	1982.27	2031.37	2064.71	2179.89	2213.24	2240.52	2263.54	2286.56	2277.42	2300.44	2323.46
**Spear Finial	1640.67	1641.82	1701.27	1724.29	1849.80	1872.82	1900.09	1923.10	2080.75	2081.94	2131.04	2164.38	2279.56	2312.91	2340.19	2363.21	2386.23	2377.09	2400.11	2423.13
**Groove Cylinder	1492.27	1493.41	1552.86	1575.88	1701.39	1724.41	1751.68	1774.70	1932.34	1933.53	1982.63	2015.98	2131.16	2164.50	2191.78	2214.80	2237.82	2228.68	2251.70	2274.72
**Design Endcap	1393.31	1394.45	1453.90	1476.92	1602.43	1625.45	1652.72	1675.73	1833.38	1834.57	1883.67	1917.01	2032.20	2065.54	2092.82	2115.84	2138.86	2129.72	2152.74	2175.76
**Clear Ball	1598.99	1600.14	1659.59	1682.61	1808.12	1831.14	1858.41	1881.42	2039.07	2040.26	2089.36	2122.70	2237.88	2271.23	2298.51	2321.53	2344.55	2335.41	2358.43	2381.45
**Ellipse	1580.88	1582.02	1641.48	1664.50	1790.00	1813.02	1840.29	1863.31	2020.96	2022.15	2071.25	2104.59	2219.77	2253.11	2280.40	2303.42	2326.44	2317.30	2340.32	2363.34
**Taper	1497.22	1498.36	1557.81	1580.83	1706.34	1729.36	1756.63	1779.65	1937.29	1938.48	1987.58	2020.92	2136.11	2169.45	2196.73	2219.75	2242.77	2233.63	2256.65	2279.68
Anodic Grey/Slate Grey/Antique Bronze/Taupe/Bronze																				
Endcaps Flush/Stud	1373.83	1380.13	1444.79	1472.99	1603.63	1631.86	1664.30	1692.50	1855.35	1861.71	1915.97	1954.53	2074.87	2113.37	2145.85	2174.07	2202.29	2198.35	2226.56	2254.77
Ball End	1589.41	1595.73	1660.38	1688.59	1819.23	1847.46	1879.90	1908.10	2070.94	2077.31	2131.57	2170.12	2290.47	2328.97	2361.45	2389.67	2417.88	2413.94	2442.16	2470.38
Spear Finial	1689.10	1695.40	1760.05	1788.26	1918.90	1947.13	1979.57	2007.77	2170.61	2176.98	2231.24	2269.79	2390.14	2428.64	2461.12	2489.34	2517.55	2513.61	2541.83	2570.05
Groove Cylinder	1540.69	1546.99	1611.65	1639.85	1770.49	1798.72	1831.16	1859.36	2022.21	2028.57	2082.83	2121.39	2241.73	2280.23	2312.71	2340.93	2369.15	2365.21	2393.42	2421.63
Design Endcap	1441.72	1448.03	1512.68	1540.89	1671.53	1699.76	1732.20	1760.40	1923.24	1929.61	1983.87	2022.42	2142.77	2181.27	2213.75	2241.97	2270.18	2266.24	2294.46	2322.67
Clear Ball	1647.41	1653.72	1718.37	1746.58	1877.22	1905.45	1937.89	1966.09	2128.93	2135.30	2189.56	2228.11	2348.46	2386.96	2419.44	2447.66	2475.87	2471.93	2500.15	2528.37
*Ellipse	1629.31	1635.61	1700.26	1728.46	1859.11	1887.34	1919.77	1947.98	2110.82	2117.19	2171.45	2210.00	2330.35	2368.84	2401.33	2429.54	2457.76	2453.82	2482.04	2510.26
*Taper	1545.63	1551.94	1616.60	1644.80	1775.44	1803.67	1836.11	1864.31	2027.16	2033.52	2087.78	2126.33	2246.68	2285.18	2317.66	2345.88	2374.09	2370.15	2398.37	2426.59

SG 7650 (SG 6150) WAVE – SUPPLEMENTS (applicable to 5100 versions only)

Size	125	150	175	200	225	250	275	300	325	350	375	400	425	450	475	500	525	550	575	600
Wave*Standard Supplement																				
60mm Glider-Cord	53.03	63.63	74.24	84.84	95.45	106.05	116.65	127.25	137.87	148.48	159.10	169.70	180.31	190.91	201.52	212.12	222.72	233.32	243.92	254.52
80mm Glider-Cord	45.38	54.45	63.52	72.60	81.68	90.75	99.84	108.91	117.99	127.06	136.15	145.22	154.31	163.38	172.46	181.53	190.60	199.67	208.75	217.82

Electric Metropole SG 7650 (SG 6150) System – 5600 Version

Price Category C

Size (cm)	125	150	175	200	225	250	275	300	325	350	375	400	425	450	475	500	525	550	575	600
Silver/White/Black/Ecru/Matt White																				
Endcaps Flush/Stud	2071.28	2066.91	2132.18	2149.66	2280.91	2298.37	2331.40	2348.88	2512.32	2507.98	2562.84	2590.63	2711.59	2739.37	2772.44	2789.88	2953.32	2938.62	3004.33	3031.67
**Ball End	2286.88	2282.51	2347.78	2365.26	2496.51	2513.97	2547.00	2564.47	2727.92	2723.58	2778.44	2806.23	2927.18	2954.97	2988.04	3005.48	3168.92	3154.22	3219.93	3247.26
**Spear Finial	2386.55	2382.18	2447.45	2464.93	2596.18	2613.64	2646.67	2664.14	2827.59	2823.25	2878.11	2905.90	3026.85	3054.64	3087.70	3105.15	3268.59	3253.89	3319.60	3346.93
**Groove Cylinder	2238.14	2233.77	2299.04	2316.52	2447.77	2465.23	2498.26	2515.74	2679.18	2674.84	2729.70	2757.49	2878.45	2906.23	2939.30	2956.74	3120.18	3105.48	3171.19	3198.53
**Design Endcap	2139.18	2134.81	2200.08	2217.56	2348.81	2366.27	2399.30	2416.77	2580.22	2575.88	2630.74	2658.53	2779.48	2807.27	2840.34	2857.78	3021.22	3006.52	3072.23	3099.56
**Clear Ball	2344.87	2340.50	2405.77	2423.25	2554.50	2571.96	2604.99	2622.46	2785.91	2781.57	2836.43	2864.22	2985.17	3012.96	3046.03	3063.47	3226.91	3212.21	3277.92	3305.26
**Ellipse	2326.75	2322.39	2387.66	2405.13	2536.38	2553.84	2586.88	2604.35	2767.79	2763.46	2818.32	2846.10	2967.06	2994.85	3027.91	3045.36	3208.80	3194.10	3259.80	3287.14
**Taper	2243.09	2238.72	2303.99	2321.47	2452.72	2470.18	2503.21	2520.69	2684.13	2679.79	2734.65	2762.44	2883.39	2911.18	2944.25	2961.69	3125.13	3110.43	3176.14	3203.47
Anodic Grey/Slate Grey/Antique Bronze/Taupe/Bronze																				
Endcaps Flush/Stud	2119.67	2120.48	2190.92	2213.57	2350.03	2372.67	2410.86	2433.55	2602.15	2602.99	2663.02	2696.00	2822.15	2855.13	2893.34	2915.95	3084.60	3075.08	3145.96	3178.48
Ball End	2335.26	2336.08	2406.51	2429.17	2565.63	2588.27	2626.46	2649.15	2817.75	2818.59	2878.62	2911.60	3037.75	3070.73	3108.94	3131.55	3300.20	3290.68	3361.56	3394.08
Spear Finial	2434.93	2435.75	2506.18	2528.84	2665.30	2687.94	2726.13	2748.82	2917.42	2918.26	2978.29	3011.27	3137.42	3170.40	3208.61	3231.22	3399.87	3390.35	3461.23	3493.75
Groove Cylinder	2286.52	2287.34	2357.78	2380.43	2516.89	2539.53	2577.72	2600.41	2769.01	2769.85	2829.88	2862.86	2989.01	3021.99	3060.20	3082.81	3251.46	3241.94	3312.82	3345.34
Design Endcap	2187.56	2188.38	2258.81	2281.47	2417.93	2440.57	2478.76	2501.45	2670.05	2670.89	2730.92	2763.90	2890.05	2923.03	2961.24	2983.85	3152.50	3142.98	3213.86	3246.38
Clear Ball	2393.26	2394.07	2464.50	2487.16	2623.62	2646.26	2684.45	2707.14	2875.74	2876.58	2936.61	2969.59	3095.74	3128.72	3166.93	3189.54	3358.19	3348.67	3419.55	3452.07
*Ellipse	2375.15	2375.96	2446.39	2469.04	2605.51	2628.14	2666.34	2689.03	2857.63	2858.47	2918.49	2951.48	3077.63	3110.61	3148.82	3171.42	3340.08	3330.56	3401.44	3433.95
*Taper	2291.49	2292.29	2362.72	2385.38	2521.84	2544.48	2582.67	2605.36	2773.96	2774.80	2834.83	2867.81	2993.96	3026.94	3065.15	3087.76	3256.41	3246.89	3317.77	3350.29

SMART by Silent Gliss – For SG 7650/5600 control via third party control system

Price Category C

Electric Track	SG 5600
11270 Plug in SMART motor module	Add £262.53 per system**Power supplies not included - see separate associated components prices Page 26.

Wave Roller Glider – SUPPLEMENT

Size (cm)	125	150	175	200	225	250	275	300	325	350	375	400	425	450	475	500	525	550	575	600
60/80mm	56.38	67.66	78.93	90.20	101.47	112.75	124.02	135.31	146.57	157.84	169.11	180.40	191.67	202.95	214.22	225.49	236.76	248.04	259.31	270.60

*Ellipse finials on 50mm poles can only be face fixed, standard bracket supplied with Ellipse or Taper finials are 11207.

**Finials are not available in silver

***When a 7650/5600 Metropole is ordered in black, the standard glider will also be supplied in black

All prices shown exclude VAT



Metropole

Electric Metropole SG 7650 (SG 6150) System – 5600 Integral Receiver System

Price Category C

Size (cm)	125	150	175	200	225	250	275	300	325	350	375	400	425	450	475	500	525	550	575	600
~Silver/White/~Black/Ecru/Matt White																				
Endcaps Flush/Stud	2308.75	2304.38	2369.65	2387.12	2518.37	2535.83	2568.87	2586.34	2749.78	2745.45	2800.31	2828.09	2949.05	2976.84	3009.90	3027.35	3190.79	3176.09	3241.79	3269.14
~Ball End	2524.34	2519.97	2585.25	2602.72	2733.97	2751.43	2784.46	2801.94	2965.38	2961.04	3015.90	3043.69	3164.65	3192.43	3225.50	3242.94	3406.38	3391.69	3457.39	3484.72
~Spear Finial	2624.01	2619.64	2684.92	2702.39	2833.64	2851.10	2884.13	2901.61	3065.05	3060.71	3115.57	3143.36	3264.32	3292.10	3325.17	3342.61	3506.05	3491.36	3557.06	3584.39
~Groove Cylinder	2475.60	2471.24	2536.51	2553.98	2685.23	2702.69	2735.73	2753.20	2916.64	2912.31	2967.17	2994.95	3115.91	3143.70	3176.76	3194.21	3357.65	3342.95	3408.65	3435.98
~Design Endcap	2376.63	2372.27	2437.55	2455.02	2586.27	2603.73	2636.76	2654.24	2817.68	2813.34	2868.21	2895.99	3016.95	3044.74	3077.80	3095.24	3258.68	3243.99	3309.69	3337.02
~Clear Ball	2582.33	2577.96	2643.24	2660.71	2791.96	2809.42	2842.45	2859.93	3023.37	3019.03	3073.89	3101.68	3222.64	3250.42	3283.49	3300.93	3464.37	3449.68	3515.38	3542.72
~Taper	2480.56	2476.19	2541.46	2558.93	2690.18	2707.64	2740.68	2758.15	2921.59	2917.26	2972.12	2999.90	3120.86	3148.65	3181.71	3199.16	3362.60	3347.90	3413.60	3440.95
Anodic Grey/Slate Grey/Antique Bronze/Taupe/Bronze																				
Endcaps Flush/Stud	2357.14	2357.95	2428.38	2451.03	2587.50	2610.13	2648.33	2671.02	2839.62	2840.46	2900.48	2933.47	3059.62	3092.60	3130.81	3153.41	3322.07	3312.55	3383.43	3415.94
Ball End	2572.74	2573.54	2643.98	2666.63	2803.09	2825.73	2863.93	2886.61	3055.22	3056.06	3116.08	3149.06	3275.21	3308.20	3346.41	3369.01	3537.66	3528.14	3599.03	3631.55
Spear Finial	2672.41	2673.21	2743.65	2766.30	2902.76	2925.40	2963.60	2986.28	3154.89	3155.73	3215.75	3248.73	3374.88	3407.87	3446.08	3468.68	3637.33	3627.81	3698.70	3731.21
Groove Cylinder	2524.00	2524.81	2595.24	2617.89	2754.36	2776.99	2815.19	2837.88	3006.48	3007.32	3067.34	3100.33	3226.48	3259.46	3297.67	3320.27	3488.93	3479.41	3550.29	3582.80
Design Endcap	2425.04	2425.84	2496.28	2518.93	2655.39	2678.03	2716.23	2738.91	2907.52	2908.36	2968.38	3001.36	3127.51	3160.50	3198.71	3221.31	3389.96	3380.44	3451.33	3483.85
Clear Ball	2630.73	2631.53	2701.97	2724.62	2861.08	2883.72	2921.92	2944.60	3113.21	3114.05	3174.07	3207.05	3333.20	3366.19	3404.40	3427.00	3595.65	3586.13	3657.02	3689.53
~Taper	2612.61	2613.42	2683.86	2706.51	2842.97	2865.61	2903.80	2926.49	3095.09	3095.94	3155.96	3188.94	3315.09	3348.07	3386.28	3408.89	3577.54	3568.02	3638.90	3671.41
~Taper	2528.95	2529.76	2600.19	2622.84	2759.31	2781.94	2820.14	2842.82	3011.43	3012.27	3072.29	3105.27	3231.43	3264.41	3302.62	3325.22	3493.87	3484.36	3555.24	3587.75

Wave Roller Glider – SUPPLEMENT

Size (cm)	125	150	175	200	225	250	275	300	325	350	375	400	425	450	475	500	525	550	575	600
60/80mm	56.38	67.66	78.93	90.20	101.47	112.75	124.02	135.31	146.57	157.84	169.11	180.40	191.67	202.95	214.22	225.49	236.76	248.04	259.31	270.60

*Ellipse finials on 50mm poles can only be face fixed, standard brackets supplied with Ellipse or Taper finials are 11207.

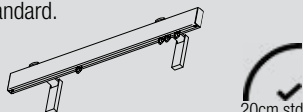
**Finials not available in silver

***When a 7650/5600 Metropole is ordered in black, the standard glider will also be supplied in black

SG 7605 Metropole

A 36mm deep flat profile

Assembled systems below includes Smart Fix Set 11206 as standard.
Bent poles are supplied with Smart Fix Set 11209 as standard.
For additional bracket options, please see Page 21.



20cm std.

HAND DRAWN 36mm deep – WHITE/SILVER/**BLACK/GUNMETAL/ANTIQU BRONZE/CHROME EFFECT (max. length 3.95m)/

ANODIC GREY/CHARCOAL/SLATE GREY/MATT WHITE/BRONZE

Price Category A

Size (cm)	125	150	175	200	225	250	275	300	325	350	375	400	425	450	475	500	525	550	575	600
Pole 6100 with Flush/Stud endcaps																				
Silver/Black/White/Matt White	135.83	153.83	172.00	190.13	208.16	226.30	244.38	262.56	280.56	298.70	316.82	334.91	353.04	371.13	389.25	407.33	425.42	443.52	461.63	479.73
Pole 6100 with Flush/Stud endcaps																				
State Grey/Charcoal/Chrome Effect/Anodic Grey/Art Bze Gunmetal/Bronze	163.13	186.71	210.28	233.86	257.45	280.98	304.57	328.12	351.72	375.25	398.83	422.34	445.99	469.57	493.12	516.67	540.25	563.81	587.40	610.97

The above pricing includes standard glider (11301). For alternatives add the relevant price supplement below.

SG 7605 (SG 6100) GLIDER - SUPPLEMENTS

Size (cm)	125	150	175	200	225	250	275	300	325	350	375	400	425	450	475	500	525	550	575	600
SG 6283 Roller-Glider Supplement	24.95	29.94	34.94	39.93	44.92	49.91	54.90	59.89	64.88	69.87	74.86	79.85	84.84	89.83	94.83	99.82	104.81	109.80	114.78	119.79
Wave™ Standard Supplement																				
60mm Glider-cord	26.06	31.25	36.47	41.69	46.88	52.10	57.30	62.52	67.71	72.93	78.15	83.35	88.57	93.76	98.98	104.18	109.40	114.62	119.82	125.04
80mm Glider-cord	21.33	25.83	29.74	33.62	38.15	42.03	46.53	50.43	54.31	58.84	62.72	66.60	71.13	75.01	79.54	83.42	87.33	91.83	95.72	99.61
OR																				
Enhanced Wave Supplement (with added optional extras)																				
Please add the following to the above 80mm wave prices.																				
Option 1: 2256 Adjustable Brake Option 2: 2255 Adjustable Brake & 6366 Carrier Option 3: Enhanced Wave (80mm only)																				
Single Stack: £9.95 Pair Stack: £19.89 Single Stack: £20.21 Pair Stack: £40.40 Single Stack: £37.49 Pair Stack: £75.01																				
SG 6099 Wave Roller-Glider Supplement (80mm)																				
	95.19	114.23	133.28	152.31	171.35	190.40	209.43	228.48	247.51	266.82	285.59	304.63	323.66	342.71	361.74	380.79	399.82	418.86	437.90	456.94













Bending 7605 Angle bend: £39.50 each. Standard radius 20cm. Semi-circle or gradual curve: £53.50 each. * When a Metropole is

ordered in black, the standard glider will also be supplied in black

All prices shown exclude VAT



Metropole Brackets

	11125 Smart Fix 80mm Bracket (11207 Set)		11668 Top Fix Bracket
	11126 Smart Fix 100mm Bracket (11208 Set)		11669 Fillet Bracket
	11216 Square Smart Fix 60mm Bracket Set		6175 Mini Hanger
	11217 Square Smart Fix 80mm Bracket Set		11154 Universal Smart Fix Set 120mm
	11218 Square Smart Fix 100mm Bracket Set		11155 Universal Smart Fix Set 150mm
	11472 Square Smart Fix Adjustable Bracket Set		11156 Universal Smart Fix Set 200mm

Brackets

Price Category A

Bracket Supplements – Add the following supplement on to the system price if alternative brackets have been specified:

		11125 (11207 Set) Smart Fix 80mm		11126 (11208 Set) Smart Fix 100mm		6175 Mini Hanger		11669 Fillet Bracket		11668 Top Fix Bracket	11154 Universal Smart Fix Bracket	11155 Universal Smart Fix Bracket	11156 Universal Smart Fix Bracket
		Colour		Colour		Colour		Colour		Colour	Colour	Colour	Colour
Pole Size (cm)	No. of Brackets	Silver, Black, White, Matt White, Ecu, Gunmetal, Charcoal, Bronze, Antique Bronze, Anodic Grey, Slate Grey, Ochre, Sand, Taupe	Chrome Effect	Silver, Black, White, Matt White, Ecu, Gunmetal Charcoal, Bronze, Antique Bronze, Anodic Grey, Slate Grey, Ochre, Sand, Taupe	Chrome Effect	Silver, White	Black, Gunmetal, Matt White, Charcoal, Ecu, Bronze, Antique Bronze, Anodic Grey, Slate Grey, Ochre, Sand, Taupe	Silver, Black, Gunmetal, White, Matt White, Charcoal, Ecu, Bronze, Antique Bronze, Anodic Grey, Slate Grey, Ochre, Sand, Taupe	Chrome Effect	Silver, Black, Gunmetal, White, Matt White, Charcoal, Ecu, Bronze, Antique Bronze, Anodic Grey, Slate Grey, Ochre, Sand, Taupe	Silver, Black, Gunmetal, White, Matt White, Charcoal, Ecu, Bronze, Antique Bronze, Anodic Grey, Slate Grey, Ochre, Sand, Taupe		
125	3	3.73	2.04	7.82	11.47	78.10	111.64	£106.50	£83.01	41.92	£80.26	£81.58	83.36
150	4	4.97	2.72	10.43	15.31	104.13	148.86	£142.00	£110.68	55.89	£107.01	£108.77	111.15
175	4	4.97	2.72	10.43	15.31	104.13	148.86	£142.00	£110.68	55.89	£107.01	£108.77	111.15
200	4	4.97	2.72	10.43	15.31	104.13	148.86	£142.00	£110.68	55.89	£107.01	£108.77	111.15
225	5	6.21	3.40	13.03	19.14	130.17	186.07	£177.50	£138.35	69.86	£133.77	£135.96	138.94
250	5	6.21	3.40	13.03	19.14	130.17	186.07	£177.50	£138.35	69.86	£133.77	£135.96	138.94
275	6	7.45	4.08	15.64	22.96	156.20	223.29	£213.00	£166.02	83.83	£160.52	£163.15	166.73
300	6	7.45	4.08	15.64	22.96	156.20	223.29	£213.00	£166.02	83.83	£160.52	£163.15	166.73
325	6	7.45	4.08	15.64	22.96	156.20	223.29	£213.00	£166.02	83.83	£160.52	£163.15	166.73
350	7	8.70	4.76	18.25	26.79	182.23	260.50	£248.50	£193.69	97.80	£187.27	£190.34	194.51
375	7	8.70	4.76	18.25	26.79	182.23	260.50	£248.50	£193.69	97.80	£187.27	£190.34	194.51
400	7	8.70	4.76	18.25	26.79	182.23	260.50	£248.50	£193.69	97.80	£187.27	£190.34	194.51
425	8	9.94	5.44	20.85	30.62	208.27	297.71	£284.00	£221.36	111.78	£214.03	£217.53	222.30
450	8	9.94	5.44	20.85	30.62	208.27	297.71	£284.00	£221.36	111.78	£214.03	£217.53	222.30
475	9	11.18	6.12	23.46	34.44	234.30	334.93	£319.50	£249.03	125.75	£240.78	£244.73	250.09
500	9	11.18	6.12	23.46	34.44	234.30	334.93	£319.50	£249.03	125.75	£240.78	£244.73	250.09
525	9	11.18	6.12	23.46	34.44	234.30	334.93	£319.50	£249.03	125.75	£240.78	£244.73	250.09
550	10	12.42	6.79	26.07	38.27	260.33	372.14	£355.00	£276.70	139.72	£267.53	£271.92	277.88
575	10	12.42	6.79	26.07	38.27	260.33	372.14	£355.00	£276.70	139.72	£267.53	£271.92	277.88
600	10	12.42	6.79	26.07	38.27	260.33	372.14	£355.00	£276.70	139.72	£267.53	£271.92	277.88

		11216 set (11145+11137) Square Smart Fix 60mm			11217 set (11146+11137) Square Smart Fix 80mm			11218 set (11147+11137) Square Smart Fix 100mm			11472 set (11483+11137) Square Smart Fix Adjustable		
		Colour			Colour			Colour			Colour		
Pole Size (cm)	No. of Brackets	Silver, White	Black, Matt White, Ecu, Gunmetal, Charcoal, Bronze, Antique Bronze, Anodic Grey, Slate Grey, Ochre, Sand, Taupe	Chrome Effect	Silver, White	Black, Matt White, Ecu, Gunmetal, Charcoal, Bronze, Antique Bronze, Anodic Grey, Slate Grey, Ochre, Sand, Taupe	Chrome Effect	Silver, White	Black, Matt White, Ecu, Gunmetal, Charcoal, Bronze, Antique Bronze, Anodic Grey, Slate Grey, Ochre, Sand, Taupe	Chrome Effect	White, Silver	Black, Matt White, Ecu, Gunmetal, Charcoal, Bronze, Antique Bronze, Anodic Grey, Slate Grey, Ochre, Sand, Taupe	Chrome Effect
125	3	18.26	23.84	35.06	20.09	25.67	36.69	22.67	28.25	38.36	22.11	27.72	60.05
150	4	24.35	31.78	46.76	26.79	34.22	48.92	30.23	37.66	51.14	29.47	36.96	80.06
175	4	24.35	31.78	46.76	26.79	34.22	48.92	30.23	37.66	51.14	29.47	36.96	80.06
200	4	24.35	31.78	46.76	26.79	34.22	48.92	30.23	37.66	51.14	29.47	36.96	80.06
225	5	30.44	39.73	58.45	33.49	42.78	61.15	37.79	47.08	63.92	36.84	46.19	100.08
250	5	30.44	39.73	58.45	33.49	42.78	61.15	37.79	47.08	63.92	36.84	46.19	100.08
275	6	36.52	47.67	70.14	40.18	51.33	73.38	45.34	56.49	76.71	44.21	55.43	120.09
300	6	36.52	47.67	70.14	40.18	51.33	73.38	45.34	56.49	76.71	44.21	55.43	120.09
325	6	36.52	47.67	70.14	40.18	51.33	73.38	45.34	56.49	76.71	44.21	55.43	120.09
350	7	42.61	55.62	81.82	46.88	59.89	85.61	52.90	65.91	89.49	51.58	64.67	140.11
375	7	42.61	55.62	81.82	46.88	59.89	85.61	52.90	65.91	89.49	51.58	64.67	140.11
400	7	42.61	55.62	81.82	46.88	59.89	85.61	52.90	65.91	89.49	51.58	64.67	140.11
425	8	48.70	63.56	93.51	53.58	68.44	97.84	60.46	75.32	102.28	58.94	73.91	160.12
450	8	48.70	63.56	93.51	53.58	68.44	97.84	60.46	75.32	102.28	58.94	73.91	160.12
475	9	54.79	71.51	105.20	60.28	77.00	110.07	68.01	84.74	115.06	66.31	83.15	180.14
500	9	54.79	71.51	105.20	60.28	77.00	110.07	68.01	84.74	115.06	66.31	83.15	180.14
525	9	54.79	71.51	105.20	60.28	77.00	110.07	68.01	84.74	115.06	66.31	83.15	180.14
550	10	60.87	79.45	116.89	66.97	85.55	122.30	75.57	94.15	127.85	73.68	92.39	200.15
575	10	60.87	79.45	116.89	66.97	85.55	122.30	75.57	94.15	127.85	73.68	92.39	200.15
600	10	60.87	79.45	116.89	66.97	85.55	122.30	75.57	94.15	127.85	73.68	92.39	200.15

*Smart Fix bracket sets, 11207 and 11208 are supplied as standard at no additional charge for WAVE on hand and cord operated Metropoles, 11209 will be supplied as standard on electric Metropoles with WAVE.

**Universal Smart Fix bracket options above are for single Metropole fixing. If double Metropole fixing is required please contact Silent Gliss for pricing. 11154 not suitable for double pole fixing.

Ellipse finials on 50mm and 30mm poles can only be face fixed.
Extension brackets can be coloured to suit Metropole (refer to Page 67 for pricing).

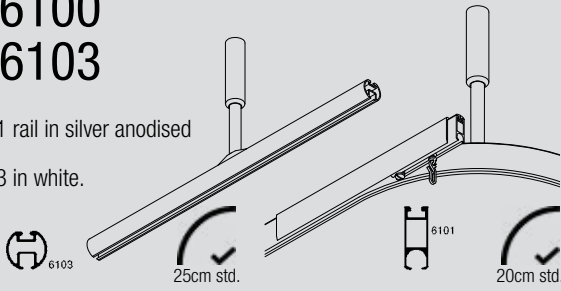
All prices shown exclude VAT

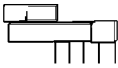
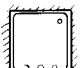


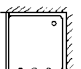
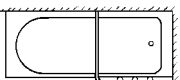

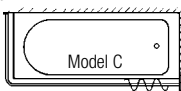
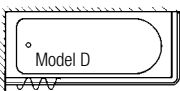
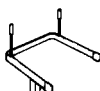
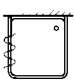
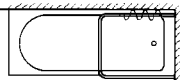


Room Divider / Cubicle Track Systems

SG 6100 SG 6103

SG 6101 rail in silver anodised finish.
SG 6103 in white.



			Price Ctgy.
Ready, complete, pre-packed with all accessories, including hanger rod(s) where applicable.			A
System Prices			
		6100 Silver	6103 White
Model A	91cm 183cm 213cm 244cm	66.91 105.35 118.90 135.14	114.55 166.88 183.99 201.53
			
Model B	76cmx76cm 91cmx91cm	140.01 153.31	210.15 227.38
			
Model C-left Model D-right	168cmx76cm	178.53	262.53
			
Model E	91cmx76cm x91cm	250.61	319.91
			
Special shapes for Shower Rails Send template and drawings for quotation.			A

Colours
Special order – see Page 67.

Bending for special
shower rails

6101 Angle bend £29.00 Standard radius 20cm.
Semi-circle or gradual curve £39.50
6103 Angle bend £71.50 Standard radius 25cm
Semi-circle or gradual curve £95.00

All prices shown
exclude VAT



Room Divider / Cubicle Track Systems

Hospital Cubicle System available through approved Distributors only.

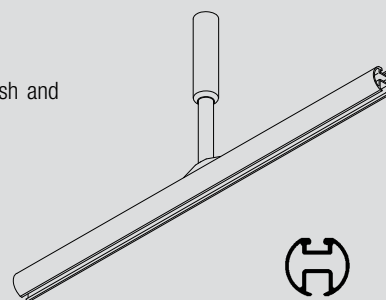
SG 6100

Hospital Cubicle Safety Device System available through approved Distributors only – use in conjunction with System 6100

SG 6650

SG 6103

Supplied in satin silver finish and white in 6 metre lengths.



	Price Ctg.
--	------------

Accessories

A

- 6101 Rail, silver, white. Available in following lengths: 4.5m, 5.0m, 5.5m, 6.0m.
- Available in silver only.
- 6094 Roller glider with hook, 10, 100.
- 6096 Strip glider. Outer, 1,000.
- 6098 Roller glider with eye, 10, 100.
- 6110 Dustcover for 6101, white, m.
- 6124 Twist double ceiling fixing plate, silver, white, each.
- 6137 Ceiling fixing plate (single), silver, white.
- 6138 Ceiling fixing plate (double), silver, white.
- 6143 Rotating glider, 20, 100.
- 6146 Nylon hook only, 12, 100.
- 6147 Nylon glider hook, 20.
- Box 500 (on strips). Outer 9,500.
- 6160 Track insert for 6100, each.
- 6190 Hanger rod assembly complete in silver and white, 61cm (2') or 91cm (3') or to order.
- 6191 Hanger tube, silver and white, per metre.
- 6192 Ceiling support complete with stud
- 6193, silver and white, 100mm.
- 6194 Track insert.
- 6283 Roller glider, 10, 100.
- 6501 'V' Hanger assembly system, silver, white.
- 6503 Wall brackets complete, silver, white.
- 25mm long with 50mm projection.
- 50mm long with 50mm projection.
- 100mm long with 50mm projection.
- 200mm long with 50mm projection.
- 50mm long with 100mm projection.
- 100mm long with 100mm projection.
- 75mm long with 150mm projection.
- 6512 Connecting bridge, silver, white.
- 6514 T-junction, single, silver, white.
- 6524 Diagonal fixing support, silver, white.
- 6525 Double 'T' junction, each, silver, white.
- 6610 (old code 6609) Wall support, grey.
- 6611 End cover with screw, grey, white, each.
- 6625A Complete fixing sleeve, silver, white.
- 6199 Internal connecting bridge.
- 6187 Dummy ceiling support sleeve, silver, white.
- 6175 Mini hanger, silver, white.
- 0554 Loading device access.
- 0553 Connecting bridge for loading device.
- 0552 Transfer unit for loading device.
- 11295 Endstop, silver, white, ea, 10.

	Price Ctg.
--	------------

Accessories

A

- 6675 Safety device.
- 6655 Wall support.
- 6677 V-hanger safety device.
- 6663 Wall bracket connector plate.
- 6666 Safety connecting bridge.
- 6669 Dustcap for 6650.
- 6671 Washer insert for wall support.
- 6672 Cover for washer insert.
- 6679 Acrylic disc for wall support.

	Price Ctg.
--	------------

A

- 6103 Rail, silver and white, available in 6m lengths.
- 6065 Twist eye endstop, each, 10.
- 6094 Roller glider with hook, 10, 100.
- 6096 Strip glider. Outer 1,000.
- 6098 Roller glider with eye, 10, 100.
- 6110 Dustcover, metre, white.
- 6124 Twist double ceiling fixing plate, silver, white, each.
- 6143 Rotating glider, 20, 100.
- 6146 Nylon hook only, 12, 100.
- 6147 Nylon glider hook, 20.
- Box 500 (on strips). Outer, 9,500.
- 6193, 50mm, white and silver.
- 6190 Hanger rod assembly complete in silver and white.
- 61cm (2') 91cm (3') or to order.
- 6191 Hanger tube, silver and white, per metre.
- 6192 Ceiling support complete with stud
- 6193, 100m each, silver, white.
- 6194 Track insert.
- 6283 Roller glider, 10, 100.
- 6501 'V' Hanger assembly system, silver, white.
- 6503 Wall brackets complete, silver, white
- 25mm long with 50mm projection.
- 50mm long with 50mm projection.
- 100mm long with 50mm projection.
- 200mm long with 50mm projection.
- 50mm long with 100mm projection.
- 100mm long with 100mm projection.
- 75mm long with 150mm projection.
- 6514M T-junction, single, silver, white.
- 6525 Double 'T' junction, silver, white.
- 6527 Wall support, metal, white.
- 6620 Wall support complete, each, 10. Grey, each, 10. White.
- 6625A Complete fixing sleeve, silver, white.
- 6630 End cover, grey, white.
- 6631 90° connector piece, grey, white.
- 6635 Internal connecting bridge.
- 6521 External connecting bridge, silver, white.
- 6524 Diagonal fixing support, silver, white.
- 6175 Mini hanger.
- 11295 Endstop, silver, white, each, 10.

	Price Ctg.
--	------------

Colours

E

(all colours except white and silver special order – see Page 67).

Bending

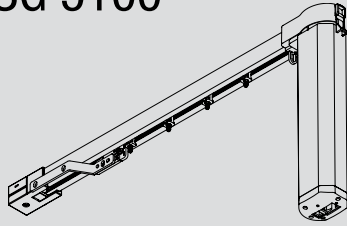
Angle bend £71.50.
Standard radius 25cm.
Semi-circle or gradual curve £95.00 each.

All prices shown exclude VAT



Electric Curtain Track Systems

SG 5100



SG 5100 Base
 SG 5100R with Remote Control
 SG 5100T with Timer
 SG 5100TC with Total Control



30cm std.

	Price Ctgy.		Price Ctgy.
System Prices Ready complete and assembled in white only.	A	SG 5100 (all models) For systems assembled with wave gliders please add the following supplement to standard system price.	A
SG 5100 Base Length cm £ 100 620.00 150 646.12 200 672.33 250 698.45 300 724.57 350 750.68 400 776.82 450 802.89 500 829.02 550 855.15 600 881.27		Length cm 60mm 80mm 100 44.54 38.11 150 66.81 57.17 200 89.09 76.22 250 111.35 95.29 300 133.62 114.35 350 155.90 133.41 400 178.18 152.47 450 200.45 171.55 500 222.72 190.61 550 245.00 209.67 600 267.28 228.73	
SG 5100R with Remote Control Length cm £ 100 700.62 150 726.72 200 752.84 250 778.96 300 805.07 350 831.18 400 857.29 450 883.50 500 909.63 550 935.76 600 961.90	A	For Standard and optional accessories please refer to our catalogue page (Optional accessories additional charges may apply). Bending Max 2 no. 90° bends or one curve: £199.00. Angle bends standard radius 30cm. Note: Autoglide is made-to-measure and cannot be cut down.	
SG 5100T with Timer Length cm £ 100 815.03 150 841.15 200 867.25 250 893.38 300 919.49 350 945.59 400 971.70 450 997.84 500 1023.93 550 1050.03 600 1076.14	A		
SG 5100TC Total Control option Length cm £ 100 895.67 150 921.76 200 947.87 250 973.98 300 1000.10 350 1026.20 400 1052.33 450 1078.43 500 1104.54 550 1130.66 600 1156.77	A		

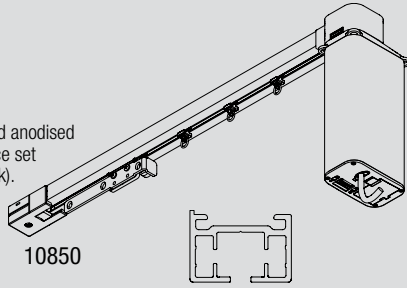
All prices shown exclude VAT

Electric Curtain Track Systems

SG 5600

Electrically Operated
Profile only 10850

Supplied in white, black and anodised silver. Coordinating endpiece set and motor (white/grey/black).



10850



25cm std.

	Price Ctg.
--	------------

System Prices
SG 5600 (9060 motor)
Ready complete and assembled*
60mm wave is only applicable for pair stack. *12m-25m: These limits do not allow auto programming mode, touch and go or manual override

SG 5600 with std roller glider/std Wave® glider (60*/80mm)
Shaded sizes are only applicable to standard roller glider (not standard Wave®)

Length	W/S	W/S		
M	£	M	£	
1.5	1690.63	13.5	2593.21	
2.0	1727.76	14.0	2630.36	
2.5	1764.83	14.5	2667.49	
3.0	1801.90	15.0	2704.67	
3.5	1839.04	15.5	2741.81	
4.0	1876.12	16.0	2778.96	
4.5	1913.19	16.5	2816.10	
5.0	1950.34	17.0	2853.25	
5.5	1987.42	17.5	2890.41	
6.0	2024.50	18.0	2927.59	
6.5	2073.55	18.5	2964.70	
7.0	2110.62	19.0	3001.85	
7.5	2147.68	19.5	3039.00	
8.0	2185.46	20.0	3076.17	
8.5	2221.91	20.5	3113.32	
9.0	2259.01	21.0	3150.46	
9.5	2296.11	21.5	3187.61	
10.0	2333.18	22.0	3224.77	
10.5	2370.32	22.5	3261.91	
11.0	2407.46	23.0	3299.06	
11.5	2444.62	23.5	3336.20	
12.0	2481.75	24.0	3373.35	
12.5	2518.92	24.5	3410.52	
13.0	2556.07	25.0	3447.67	

SG 5600 with roller Wave® glider (60*/80mm)

Length	W/S	W/S		
M	£	M	£	
1.5	1758.28	13.5	3202.05	
2.0	1817.96	14.0	3261.75	
2.5	1877.58	14.5	3321.45	
3.0	1937.22	15.0	3381.15	
3.5	1996.89	15.5	3440.85	
4.0	2056.51	16.0	3500.55	
4.5	2116.15	16.5	3560.25	
5.0	2175.82	17.0	3619.95	
5.5	2235.44	17.5	3679.64	
6.0	2295.10	18.0	3739.34	
6.5	2366.69	18.5	3799.04	
7.0	2426.33	19.0	3858.74	
7.5	2485.95	19.5	3918.44	
8.0	2545.60	20.0	3978.14	
8.5	2605.26	20.5	4037.84	
9.0	2664.88	21.0	4097.54	
9.5	2724.53	21.5	4157.24	
10.0	2784.16	22.0	4216.94	
10.5	2843.86	22.5	4276.64	
11.0	2903.55	23.0	4336.34	
11.5	2963.25	23.5	4396.04	
12.0	3022.95	24.0	4455.74	
12.5	3082.65	24.5	4515.43	
13.0	3142.35	25.0	4575.13	

SMART by Silent Gliss - For SG 5600 control via third party control systems, please add the below per system:
11270 Plug in SMART motor module, white Add £262.53 per system

**Power supplies not included - see separate associated components prices, Page 26.

	Price Ctg.
--	------------

SG 5600 with radio module, std roller glider/std wave glider (60*/80mm)

Length	W/S	W/S		
M	£	M	£	
1.5	1925.90	13.5	2828.42	
2.0	1962.95	14.0	2865.58	
2.5	2000.01	14.5	2902.72	
3.0	2037.12	15.0	2939.87	
3.5	2074.24	15.5	2977.02	
4.0	2111.31	16.0	3014.16	
4.5	2148.40	16.5	3051.33	
5.0	2185.50	17.0	3088.47	
5.5	2222.61	17.5	3125.64	
6.0	2259.68	18.0	3162.78	
6.5	2308.76	18.5	3199.93	
7.0	2345.81	19.0	3237.04	
7.5	2382.92	19.5	3274.22	
8.0	2420.02	20.0	3311.38	
8.5	2457.11	20.5	3348.52	
9.0	2494.16	21.0	3385.68	
9.5	2531.27	21.5	3422.79	
10.0	2568.37	22.0	3459.98	
10.5	2605.54	22.5	3497.12	
11.0	2642.67	23.0	3534.25	
11.5	2679.84	23.5	3571.42	
12.0	2716.95	24.0	3608.54	
12.5	2754.11	24.5	3645.73	
13.0	2791.27	25.0	3682.85	

SG 5600 with radio module and roller wave glider (60*/80mm)

Length	W/S	W/S		
M	£	M	£	
1.5	1993.53	13.5	3437.26	
2.0	2053.15	14.0	3496.95	
2.5	2112.76	14.5	3556.65	
3.0	2172.41	15.0	3616.35	
3.5	2232.08	15.5	3676.05	
4.0	2291.72	16.0	3735.75	
4.5	2351.36	16.5	3795.45	
5.0	2410.99	17.0	3855.15	
5.5	2470.63	17.5	3914.85	
6.0	2530.27	18.0	3974.55	
6.5	2601.89	18.5	4034.25	
7.0	2661.52	19.0	4093.95	
7.5	2721.17	19.5	4153.65	
8.0	2780.79	20.0	4213.35	
8.5	2840.45	20.5	4273.04	
9.0	2900.07	21.0	4332.74	
9.5	2959.71	21.5	4392.44	
10.0	3019.36	22.0	4452.14	
10.5	3079.06	22.5	4511.84	
11.0	3138.76	23.0	4571.54	
11.5	3198.46	23.5	4631.24	
12.0	3258.16	24.0	4690.94	
12.5	3317.86	24.5	4750.64	
13.0	3377.56	25.0	4810.34	

5600 Black

Please add a 10% uplift to the White pricing tables.

Note: if a 5600 is ordered in black with one of the following glider types:

- 10840 2C Roller Glider
- 10869 Wave Roller Glider Cord 60mm
- 10852 Wave Roller Glider Cord 80mm

The gliders will be supplied in black as standard.

*Note standard wave 10905 and 10906 gliders are not available in black.

	Price Ctg.
--	------------

Standard Accessories

- 3004 Clamp
- 9060 Motor, white, grey, black
- 9916 In-line connector
- 10816 Motor cover, white, grey, black
- 10817 Motor case holder, white, grey, black
- 10819 Belt return, white, grey, black
- 10820 Overlap arm, straight, white, black
- 10821 Overlap arm, bent, white, black
- 10822 Master carrier set, white, black
- 10826 Overlap arm support set
- 10837 Pilot runner arm, white, black
- 10838 Pilot runner set, white, black
- 10840 2C Roller glider, white, black
- 10850 Profile, white, silver, black per metre

Standard Accessories

- 10815 Cover, white, grey, black
- 10825 Belt
- 10836 Mask pair stack, white, grey, black

Optional Accessories

(Additional charges may apply)

- 3041 Bracket
- 5118 Wedge for recess profile, white, black
- 6794 Screw for direct fix
- 10862 Recess profile, white, black per metre
- 10863 Recess mask, motor, white, black
- 10864 Recess mask, belt return, white, black
- 10865 Mounting support plate
- 10821L Long overlap arm bent
- 10822 Master carrier set, white
- 10831 Connecting bridge
- 10838 Pilot runner set, white
- 10844 Wave end stop, motor, grey, white, black
- 10845 Wave master carrier, white, black single stack 80mm

- 10852 Wave roller glider cord, black, white (80mm pitch), 6.5mm channel
- 10856 Wave end stop, belt return, white, grey, black
- 10869 Wave roller glider cord, white, black (60mm pitch), 6.5mm channel

- 10886 Wave overlap arm, pilot runner set, white, black
- 10887 Wave overlap arm set, white, black
- 10926 Wave glider support
- 11411 Radio module set for Control R Radio system, grey, white, black

- 11412 Power supply 24V DC UL
- 11900 Move 4.0 Server unit
- 11939 Radio module set for Control N Radio system, grey, white, black

	Price Ctg.
--	------------

Optional Accessories

(Additional charges may apply)

- 3832 Twist clamp
- 3582 Curtain hook, white, black box, 100. Self-service sachets, 25 x 25. Outer, 20,000
- 6094 Roller glider with hook, 10, 100
- 6105 Hanger with plate
- 6107 V-Hanger with plate
- 6349 Wave @ curtain tape, white, black
- 6363 Top hemming tape
- 7002 Profile protector
- 10075 Lead weight 50 gr/m
- 10076 Fabric weight
- 10823 Belt connector arm
- 10824 Belt connector pin
- 10854 Wave overlap support arm, white, black
- 10905 Wave glider cord, white (80mm pitch), 6.5mm channel
- 10906 Wave glider cord, white (60mm pitch), 6.5mm channel
- 10924 Wave glider support, white, black
- 11116 Smart Fix Bracket Cover.
- 11137 Square Smart Fix Bracket Cover.
- Smart Fix Brackets in white, black or silver
- 11118 Smart Fix 60mm Bracket (11200 Set).
- 11119 Smart Fix 80mm Bracket (11201 Set).
- 11120 Smart Fix 100mm Bracket (11202 Set).
- 11121 Smart Fix 120mm Bracket (11203 Set).
- 11122 Smart Fix 150mm Bracket (11204 Set).
- 11123 Smart Fix 200mm Bracket (11205 Set).
- Square Smart Fix Brackets in white, black or silver
- 11139 Smart Fix 60mm Bracket (11210 Set).
- 11140 Smart Fix 80mm Bracket (11211 Set).
- 11141 Smart Fix 100mm Bracket (11212 Set).
- 11142 Smart Fix 120mm Bracket (11213 Set).
- 11143 Smart Fix 150mm Bracket (11214 Set).
- 11144 Smart Fix 200mm Bracket (11215 Set).
- Universal Smart Fix Extension Bracket in white, black or silver
- 11154 Universal Smart Fix 120mm.
- 11155 Universal Smart Fix 150mm.
- 11156 Universal Smart Fix 200mm.

Recess Profile and Accessories White or Black

Charged at the nearest 50cm increment above.
Add to price Per Metre Per Track
White £54.17 £11.00

Colours

Other colours special order, see Page 67.

Tools

- 7426 Notching tool for recess 10862

Bends

For each bend add the following to above system price:

Radius/cm	Profile 10850
25-99	£188.00
Standard angle bend radius 25cm.	
Over 99	£352.50

Note: If using recess profile, price add an additional 20% to the relevant bending charge above. Please note: Minimum radius for 5600 is 25cm. Minimum radius for 5600 with recess profile is 50cm.

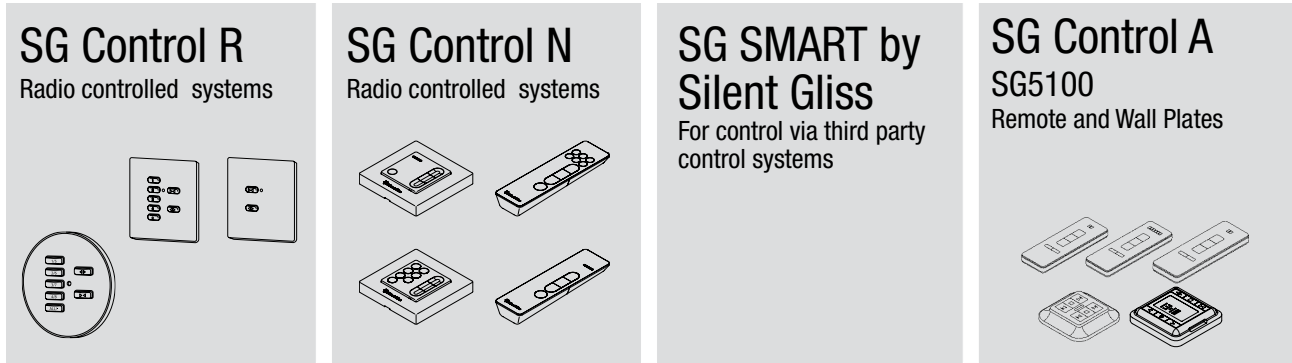
Multiple System Operation

A wide range of multiple operation methods are available, including low voltage control, radio/remote control and mixed systems. Can also be controlled through a smart-phone, tablet or desktop with the Silent Gliss Move 4.0 server unit (refer to Page 26 for pricing details). Please consult the Silent Gliss catalogue.

All prices shown exclude VAT



Switches and Controls



All costs for systems indicated in this section are exclusive of curtain/blind systems and need to be added for total cost. On-site wiring costs are also excluded although advisory service is available. To assist choosing the correct equipment please see application chart in the back of the price list.

	Price Ctg.		Price Ctg.		Price Ctg.		Price Ctg.
Radio control system, up to 255 room and blind addresses, individually or simultaneously. Can be used with mains switched motors and 24V switched motor systems. Low voltage option (motor type C) available on request.	C	11900 Move 4.0 Server unit £412.00	C	0323 0.5m Blue Patch Cable £2.49	C	SG Control A System SG5100	A
20919 £396.44 Control module for mains switched motors		11931 1 Channel Remote white, black £122.72		11260 Gateway £996.24		10949 1 Channel Wall Transmitter, White £56.58	
20907 £427.98 Control module for 24V dc switched motors		11932 6 Channel Remote white, black £155.79		11261 Gateway KNX £1198.18		10950 2 + 1 Channel Wall Transmitter, White £83.70	
20913 £328.26 Single-channel wall switch. Available in the following colours:		11936 1 Channel Wall Switch, white £101.97		11262 Expansion Unit £969.31		10951 5 + 1 Channel Wall Transmitter, White £83.70	
Antique Brass		11937 6 Channel Wall Switch, white £141.58		11263 Power supply 24V DC 2 Ampere DIN Rail £92.74		10946 1 Channel Remote, white £68.21	
Black Nickel		11938 External Receiver 433mhz BIDI £151.93		11264 Power supply 24V DC 3.8 Ampere DIN Rail £113.24		10947 2 + 1 Channel Remote, white £83.70	
Chocolate Bronze		11946 Control unit dc 24v relay £174.38		11265 Power supply 24V DC 5 Ampere DIN Rail £119.86		10948 6 + 1 Channel Remote, white £83.70	
Matt Black		11412 Power supply 24V DC £80.50		11266 Power supply 24V DC 10 Ampere DIN Rail £221.06		11429 Single Channel Timer £165.11	
Matt White		Uplift for integrated receiver in Series 40 motors		11270 SMART module set white £262.53		Fixed switches for mains Switched Motors	C
Polished Brass		Add on £262.53 per system for 4960/4970/2360/4760/4770/4780		11281 Cabinet up to 8 Shading Device Unit including Circuit Breaker Protection £3005.93		Switches are available single or in banks as below. Add switches price to price of system. Switches are designed for recess fixing.	
Mirror Polish		Add on £336.57 per system for 4980/4985		11282 Cabinet up to 24 Shading Device Unit including Circuit Breaker Protection £3876.33		Non-latching	
Brushed Silver				11283 Cabinet up to 56 Shading Device Unit including Circuit Breaker Protection £7347.83		1 Gang Switches	
20914 £328.26 Eight-channel wall switch. Available in the following colours:				11318 4-Pin Connector for 5600 SMART module £12.52		0565/W White plastic £137.57	
Antique Brass				11319 4-Pin Connector for SMART motor (Room/Control/Side) £12.52		2 Gang Switches	
Black Nickel				11320 4-Pin Connector for SMART motor (Motor side) £18.78		0566/W White plastic £238.14	
Chocolate Bronze				11325 6-Pin Connector for Gateway and Expansion Unit £16.55		3 Gang Switches	
Matt Black				11269 Hand held setting tool for Series 40 and SMART motors (TTPRO) £134.63	E	0567/W White plastic £370.83	
Matt White				Labour		4 Gang Switches	
Polished Brass				To fully assemble cabinet with SMART Gateway, expansion unit (if required) and Power Supplies:		0568/W White plastic £471.42	
Mirror Polish				Up to 8 systems		6 Gang Switches	
Brushed Silver				(Labour cost only) £233.40		0569/W White plastic £711.71	
20336 £242.33 Eight channel hand held remote				Up to 24 systems (Labour cost only) £233.40		Latching	
Optional Accessories	C			Up to 56 systems (Labour cost only) £233.40		1 Gang Switches	
20917 White patrix box £27.72				Series 50 SMART by Silent Gliss motors for use with Silent Gliss Gateway and associated components – Add on £262.53 per system for 4960/ 4970/ 2360/ 4760/ 4770/ 4780/ 5600	C	0615/W White plastic £74.30	
				Add on £336.57 per system for 4980/4985		2 Gang Switches	
						0616 White plastic £100.14	
						3 Gang Switches	
						0617 White plastic £162.72	
						4 Gang Switches	
						0618 White plastic £195.69	
						6 Gang Switches	
						0619 White plastic £271.19	
						Extras	
						9959 Relay £200.25	
						9953 Volt free interface £259.80	
						Tools	E
						11269 Handheld setting tool for Series 40 and Series 50 SMART Motors TTPRO £134.63	
						11422 230V Setting lead £40.38	
						11951 Charger for 11926 Battery Motors £15.45	

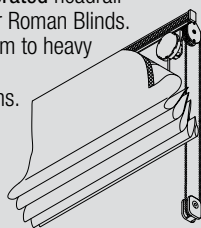
All prices shown exclude VAT



Roman Blind Systems

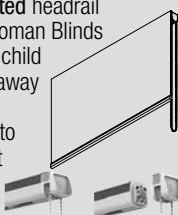
SG 2120

Chain operated headrail system for Roman Blinds. For medium to heavy weight applications.



SG 2305

Chain operated headrail system for Roman Blinds with integral child safety breakaway mechanism. For medium to heavy weight applications.



	Price Ctg.
SG 2120 System supplied ready assembled	A
Total max. curtain weight 8kg incl. any weighting. Maximum width: 4.0m Maximum drop: 6.0m	
System width	
cms £	
100	230.03
125	264.82
150	309.40
175	355.00
200	389.78
225	434.59
250	479.45
275	514.27
300	559.14
325	604.02
350	655.27
375	693.84
400	738.72
Above prices are based on standard accessories detailed below.	

	Price Ctg.
Standard Accessories	A
2049 Gear drive, each, 10, 100. 2081 Take-up reel, each, 10. 2059 Safety clip, 10. 2111 Hexagonal bar, 6m length, outer of 50 lengths. 2163 Flat drawing tape, per m, 200m 2211 Touch and close headrail, 6m, length. 2179 End cover, each, 10. 3630 Universal bracket, each, 10, 100.	
4845 Metal bead chain, 125m reel. 2865 Twin chain connector, each.	C
10731 Cord retainer.	E

	Price Ctg.
Optional Accessories (Additional Charges May Apply)	A
0549 Touch and close pencil pleat tape for Austrian Blinds. 2091 Endcover (for 2135) 3164 Breakaway hook and latch set. White, black 3165 Breakaway ring set (soft fold). White, black 3166 Breakaway ring tape (soft fold). White, black 2006 Bottom weight bar, 4m. 2072A Universal joint, each. 2135 Steel rod, 3m lengths. 2164T Ring tape, 100m. 2539 Touch and close pile section, 25m, 100m. 3069 Breakaway rod cover (hard fold). 11116 Smart Fix Bracket Cover. 11137 Square Smart Fix Bracket Cover.	
Smart Fix Brackets in white or silver	
11118 Smart Fix 60mm Bracket (11200 Set). 11119 Smart Fix 80mm Bracket (11201 Set). 11120 Smart Fix 100mm Bracket (11202 Set). 11121 Smart Fix 120mm Bracket (11203 Set). 11122 Smart Fix 150mm Bracket (11204 Set). 11123 Smart Fix 200mm Bracket (11205 Set).	
Square Smart Fix Brackets in white or silver	
11139 Smart Fix 60mm Bracket (11210 Set). 11140 Smart Fix 80mm Bracket (11211 Set). 11141 Smart Fix 100mm Bracket (11212 Set). 11142 Smart Fix 120mm Bracket (11213 Set). 11143 Smart Fix 150mm Bracket (11214 Set). 11144 Smart Fix 200mm Bracket (11215 Set).	
3603 Top fix brackets, each, 10, 100. 3655 Long universal bracket. 3660 Extra long universal bracket. 4845BR Metal bead chain, brass.	

	Price Ctg.
Tools	E
0679 Connector tongs.	

	Price Ctg.
SG 2305 System	A
Supplied made to measure, ready assembled. Maximum width: 3.0m Maximum drop: 3.4m	
System width	White Black
cms	£ £
75	71.73 86.07
100	87.27 104.72
125	94.19 113.03
150	107.94 129.53
175	114.88 137.84
200	128.62 154.32
225	144.18 173.01
250	151.09 181.65
275	164.85 197.81
300	171.78 206.13
Above prices are based on standard accessories detailed below.	

Please note:
Instead of standard silver metal chain (on white systems) corresponding white plastic chain can be supplied at no extra cost.

	Price Ctg.
Standard Accessories	A
2301 Aluminium headrail white, black (5.8m). 2309 Hex bar (5m). 2308 Spool with lift cord, white, black. 2307 Gear/Breakaway set (4:1), white, black. 2302 Clip bracket, white, black. 2311 Metal chain, silver, black (150m reel).	

	Price Ctg.
Optional Accessories (Additional Charges May Apply)	A
2091 Endcover (for 2135) 2310 Plastic operating chain (250m reel), white. 2311AB Metal chain, antique brass (150m reel) 2311GD Metal chain, gold (150m reel) 2312 Bead chain joiner. 2346 Clamp bracket. 2347/50 50cm finished plastic chain drop. 2347/75 75cm finished plastic chain drop. 2347/100 100cm finished plastic chain drop. 2347/125 125cm finished plastic chain drop. 2347/150 150cm finished plastic chain drop. 2347/175 175cm finished plastic chain drop. 2347/200 200cm finished plastic chain drop. 3164 Breakaway hook and latch set. White, black 3165 Breakaway ring set (soft fold). White, black 3166 Breakaway ring tape (soft fold). White, black 2005 Bottom bar. 2006 Bottom bar. 2135 Steel rod, 3m lengths. 2164T Ring tape, 100m. 2539 Touch and close pile section, 25m, 100m. 3069 Breakaway rod cover (hard fold). 11116 Smart Fix Bracket Cover. 11137 Square Smart Fix Bracket Cover. Smart Fix Brackets in white, black or silver 11118 Smart Fix 60mm Bracket (11200 Set). 11119 Smart Fix 80mm Bracket (11201 Set). 11120 Smart Fix 100mm Bracket (11202 Set). 11121 Smart Fix 120mm Bracket (11203 Set). 11122 Smart Fix 150mm Bracket (11204 Set). 11123 Smart Fix 200mm Bracket (11205 Set). Square Smart Fix Brackets in white, black or silver 11139 Smart Fix 60mm Bracket (11210 Set). 11140 Smart Fix 80mm Bracket (11211 Set). 11141 Smart Fix 100mm Bracket (11212 Set). 11142 Smart Fix 120mm Bracket (11213 Set). 11143 Smart Fix 150mm Bracket (11214 Set). 11144 Smart Fix 200mm Bracket (11215 Set).	
0600 Connector tongs for metal chain.	

	Price Ctg.
7223 Tongs for connector 2865 10731 Cord retainer	E

All prices shown exclude VAT

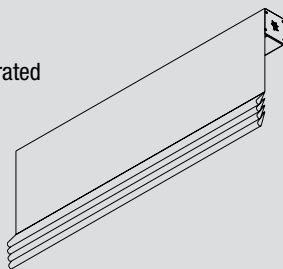


Roman Blind Systems

SG 2355

Rechargeable Battery operated Roman Blind System

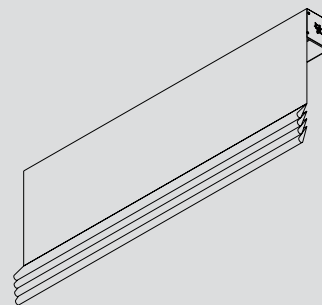
Headrail available in white or black



SG 2360

Electrically Operated

Headrail available in white or black



		Price Ctg.
SG 2355 supplied ready assembled		C
Total maximum curtain weight 4kgs Maximum width 3 metres Maximum drop 3 metres, maximum total surface area 9m ² depending on curtain weight. Minimum width 65cm. Hardware only cost.		
SYSTEM		
WIDTHS (cms)	£	
100	728.79	
125	762.53	
150	804.29	
175	837.94	
200	877.76	
225	923.04	
250	953.22	
275	998.42	
300	1028.61	

Above prices are based on Standard Accessories detailed below.

Please note, one 11951 charger will be supplied FOC for every five blinds ordered.

Wall switches and remotes need to be ordered seperately.

Standard Accessories

2216 Cord, white or black
2221 Velcro tape
11324 PT Countersunk screw

2371 Head box, white, black
2372 Tube ø45mm alu anodised
2373 End cover, white, black
2374 End cover, white, black
2375 Tube adapter
2376 Shell
2377 Pin
2381 Motor plate
3003 Clamp
10621 Tube adapter
11185 Pan head screw
11356 Motor drive
11434 Box cover, white, black
11926 Battery Motor

All prices shown exclude VAT

		Price Ctg.
Optional Accessories		A
(Additional Charges May Apply)		
2005F Bottom Bar		
2006 Weight bar		
2091 End cover, white, black		
2093 Ring, white, black		
2135 Steel rod 3m lengths		
2164 Ring tape, white, black, transparent		
2363 Bracket, white, black		
2539 Loop section, white, black		
3069 Child safety eyelet white, black		
3074 Loop tape, white, black		
3164 Breakaway hook and latch set. White, black		
3165 Breakaway ring set (soft fold). White, black		
3166 Breakaway ring tape (soft fold). White, black		
11482 Ring, transparent, black		
Smart Fix Brackets in white, black or silver		
11118	Smart Fix 60mm Bracket (11200 Set).	
11119	Smart Fix 80mm Bracket (11201 Set).	
11120	Smart Fix 100mm Bracket (11202 Set).	
11121	Smart Fix 120mm Bracket (11203 Set).	
11122	Smart Fix 150mm Bracket (11204 Set).	
11123	Smart Fix 200mm Bracket (11205 Set).	
Square Smart Fix Brackets in white, black or silver		
11139	Smart Fix 60mm Bracket (11210 Set).	
11140	Smart Fix 80mm Bracket (11211 Set).	
11141	Smart Fix 100mm Bracket (11212 Set).	
11142	Smart Fix 120mm Bracket (11213 Set).	
11143	Smart Fix 150mm Bracket (11214 Set).	
11144	Smart Fix 200mm Bracket (11215 Set).	
Smart Fix Bracket Covers		
11116	Smart Fix Bracket Cover.	
11137	Square Smart Fix Bracket Cover.	
Universal Smart Fix Extension Bracket in white, black or silver		
11154	Universal Smart Fix 120mm.	
11155	Universal Smart Fix 150mm.	
11156	Universal Smart Fix 200mm.	
2378 Support		
2379 Sleeve		
2521 Bracket, galvanised, white, black		
8943 Grommet		
11900 Move 4.0 Server Unit		
11931 1 Channel Remote		
11932 6 Channel Remote		
11936 1 Channel Wall Switch		
11937 6 Channel Wall Switch		
11951 Charger		

		Price Ctg.
SG 2360 supplied ready assembled		C
Total maximum curtain weight 10kg. Maximum width 4 metres. Maximum drop 4 metres, maximum total surface area 16m ² depending on curtain weight.		
Hardware cost only, including series 20 mains switched motor (for alternative motors see next column).		
SYSTEM		
WIDTHS (cms)	£	
100	919.53	
150	964.22	
200	1008.99	
250	1053.74	
300	1098.48	
350	1143.21	
400	1187.99	

Above prices are based on Standard Accessories detailed below.

Standard Accessories

2216 Cord white, black
2221 Velcro tape
11324 PT Countersunk screw

2371 Head box white, black
2372 Tube ø45mm alu anodised
2373 End cover white, black
2374 End cover white, black
2375 Tube adapter
2376 Shell
2377 Pin
2381 Motor plate
3003 Clamp
10284 O-ring
10621 Tube adapter
11185 Pan head screw
11354 Motor drive
11434 Box cover white, black

		Price Ctg.
Optional Accessories		A
(Additional Charges May Apply)		
2005 Bottom bar		
2006 Bottom weight bar, 4m.		
2091 End cover white, black		
2093 Ring white, black		
2109 Cross Rail		
2164 Ring tape white, black		
2164T Ring tape, 100m.		
2363 Bracket white, black		
2539 Touch and close pile section, white, black		
2616 Bracket (40.8mm)		
3069 Breakaway rod cover (hard fold). White, black		
3164 Breakaway hook and latch set. White, black		
3165 Breakaway ring set (soft fold). White, black.		
3166 Breakaway ring tape (soft fold). White, black		
11116 Smart Fix Bracket Cover.		
11137 Square Smart Fix Bracket Cover.		
Smart Fix Brackets in white, black or silver		
11118 Smart Fix 60mm Bracket (11200 Set).		
11119 Smart Fix 80mm Bracket (11201 Set).		
11120 Smart Fix 100mm Bracket (11202 Set).		
11121 Smart Fix 120mm Bracket (11203 Set).		
11122 Smart Fix 150mm Bracket (11204 Set).		
11123 Smart Fix 200mm Bracket (11205 Set).		
Square Smart Fix Brackets in white, black or silver		
11139 Smart Fix 60mm Bracket (11210 Set).		
11140 Smart Fix 80mm Bracket (11211 Set).		
11141 Smart Fix 100mm Bracket (11212 Set).		
11142 Smart Fix 120mm Bracket (11213 Set).		
11143 Smart Fix 150mm Bracket (11214 Set).		
11144 Smart Fix 200mm Bracket (11215 Set).		
Universal Smart Fix Extension Bracket in white, black or silver		
11154 Universal Smart Fix 120mm.		
11155 Universal Smart Fix 150mm.		
11156 Universal Smart Fix 200mm.		

2378 Support
2379 Sleeve
2521 Bracket, white, black, galvanised
8943 Grommet
11355 Motor drive
11356 Motor drive

Remote/Multiple System Operation

For system operation possibilities refer to table on Page 89-90.

System Control Options

Series 40 motors – With integrated radio receiver for operation with SG wireless Control N – add on £262.53 per system, see Page 26. NOTE: 24v Series 40 Motors are not supplied with power supplies (transformers) as standard. They must be ordered separately, see Page 26.

Series 50 SMART by Silent Gliss motors – for use with Silent Gliss Gateway and associated components – add on £262.53 per system, see Page 26.

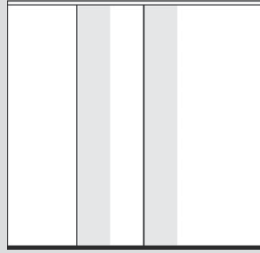
Series 25 – add on £123.60 per system, see Page 26. Mains Switch Motor.

Side-guide option available at an additional cost of £86.02 .

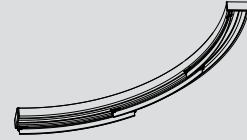


Panel Glide Systems

SG 2700 (Hand) Panel Glide



SG 2730 Panel Flex



SG 2700 is delivered made to measure, ready assembled in **white**, top fix as standard. Panels either hang freely or can be connected and operated via a draw rod at no extra cost.

SG 2730 is delivered made to measure, ready assembled in **white**. Panels either hang freely or can be connected and operated via a draw rod.

The systems are built up from different profiles with between 2 and 5 channels. Please consult the Silent Gliss catalogue to ensure you order the correct profile depending on how many panels and which stacking variation you require. Some technical restrictions apply.

Panels are usually between 50cm and 100cm and we recommend they overlap by approximately 10cm-15cm.

SG 2700 can be electrically operated in combination with SG 5600. For pricing, please add cost of 5600 Electric Track onto prices below. Please consult Silent Gliss for further information.

SG 2730 is only available as complete systems with fabric panels.

HARDWARE PRICES			Price Ctg.
SG 2700 – Straight Only			C
	Manual		
150cm	437.09		
200cm	549.17		
250cm	661.23		
300cm	773.30		
350cm	885.41		
400cm	997.46		
450cm	1109.54		
500cm	1221.59		
550cm	1331.52		
600cm	1438.06		
PRICES PER FABRIC PANEL (max drop 3m)			
	Up to 60cm wide	60cm - 130cm wide	
Price Group 1	£301.03	£387.81	
Price Group 2	£344.37	£449.84	
Price Group 3	£446.71	£619.24	
Price Group 4	£675.59	£896.80	
FABRIC SUITABILITY			
Price Group 1			
Basic Screen 1%	Colorama 1 Multicolour		
Basic Screen 5%	Colorama Acoustic		
Basic Screen 10%	Colorama Acoustic Multicolour		
Colorama 1	Element		
Colorama 1 Alu	Oscurante		
Colorama 1 Bioactive	Polyflax		
Colorama 1 Eco	Someo		
Price Group 2			
Atracor	Multi Shadow	Nox	
Colorama 2	Multi Visio	Reflex	
Colorama 2 Bioactive	Multicolour Natura	Safescreen	
Colorama 2 Eco	Multicolour Panama	Verascreen 1%	
Colorama 2 Multicolour	Multicolour Screen	Verascreen 2%	
Leviso	Multiscreen 1%	Verascreen 5%	
Leviso Light	Multiscreen 5%	Verascreen 10%	
Mercurio	Multiscreen 10%		
Moon	Newlifescreeen		
Price Group 3			
Alutex	Newlifescreeen Alu		
Colorama Dimout	Multicolour Dimout		
Price Group 4			
Aluscreen Futura			

Face fix brackets will carry an additional cost.

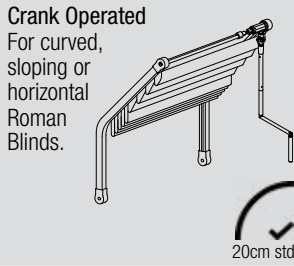
All prices shown exclude VAT

HARDWARE PRICES			Price Ctg.
SG 2730 – Straight or Curved			C
	Manual		
150cm	476.59		
200cm	619.65		
250cm	762.67		
300cm	905.7		
350cm	1048.77		
400cm	1191.78		
450cm	1334.87		
500cm	1477.87		
550cm	1620.91		
600cm	1763.97		
PRICES PER FABRIC PANEL (max drop 3m)			
	Up to 60cm wide	60cm - 130cm wide	
Price Group 1	£301.03	£387.81	
Price Group 2	£344.37	£449.84	
Price Group 3	£446.71	£619.24	
Price Group 4	£675.59	£896.80	
FABRIC SUITABILITY			
Price Group 1	Price Group 2	Price Group 3	
Colorama 1	Colorama 2	Colorama Dimout	
Colorama 1 Alu	Colorama 2 Bioactive		
Colorama 1 Bioactive	Colorama 2 Eco		
Colorama 1 Eco	Colorama 2 Multicolour		
Colorama 1 Multicolour	Leviso		
Colorama Acoustic	Leviso Light		
Colorama Acoustic Multicolour	Multicolour Natura		
Oscurante	Multicolour Panama		
Polyflax	Reflex		
Someo			
Valere			
BENDS			
For each bend add the following to the above system price			
Angle bend	£605.50	Standard radius 15cm	
Gradual curve	£972.50		
SG 2730			A
10399 Design Fascia	£32.50 per metre, plus £4.81 per system		
COLOURS			
Special colours not available			
All prices shown exclude VAT			

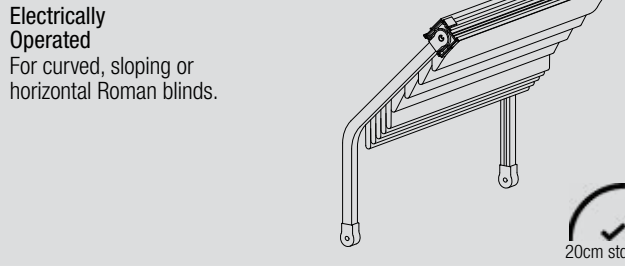
All prices shown exclude VAT

Skylight Shading Systems

SG 2190



SG 2195



Made-to-measure Roman blinds for system 2190 and 2195

Price Ctg.

SG 2190 Crank operated

Single System:
Max. width: 2.5m. Max. drop: 6m.
Double System:
Max. width: 3m. Max. drop: 6m.
These maximum sizes depend on the shape of system required – please check with Silent Gliss.

Max. fabric weight for both single/ double system: 10kg.
Prices below are for hardware only – for complete system cost please add price for fabric.
*Cantilever option available for single systems. Please add 30%

*Single System Prices Silver or white

Width > Drop (cms)	Up to 100cm	101cm-150cm
150	1131.84	1200.08
200	1255.15	1323.43
250	1378.51	1446.79
300	1501.93	1570.14
350	1625.35	1693.60
400	1748.72	1817.01
450	1872.13	1940.38
500	1995.50	2063.72
550	2118.80	2187.05
600	2242.17	2310.48

*Single System Prices Silver or white

Width > Drop (cms)	151cm-200cm	201cm-250cm
150	1268.34	1336.60
200	1391.72	1459.99
250	1515.09	1583.41
300	1638.52	1706.76
350	1761.90	1830.08
400	1885.23	1953.55
450	2008.60	2076.88
500	2131.96	2200.28
550	2255.44	2323.70
600	2378.74	2447.05

Double System Prices
Silver or white
If under 2500mm: Please add 30% to single system prices above.

Width > Drop (cms)	251cm-300cm	Width > Drop (cms)	251cm-300cm
150	1739.17	400	2503.03
200	1892.09	450	2655.82
250	2044.84	500	2808.61
300	2197.54	550	2961.32
350	2350.32	600	3114.21

Components

- 3825 Clamp, 10, 100.
- 2189 Gear
- 2230 Endpiece, white or grey.
- 2759 Rod.
- 5130 Belt.
- 2242 Connector.
- 2746 Detachable crank handle.
- 2156 Drive shaft.
- 3181 Bracket (single clamp)
- 2139 Bracket (double clamp)
- 2248 Cross rod.

Bending

Add the following to above system price:

Radius/cm	Single System	Double System
25-99	£370.00	£741.00
Over 99	£703.00	£1406.50

Standard angle radius 20cm.

All prices shown exclude VAT

Price Ctg.

SG 2195 Electrically Operated

Total max. curtain weight 25kg. (including cross profiles). Max. width: 3m. Max. drop: 6m. Max. total surface area 15m² depending on curtain weight.
System 2195 is also available as a double and treble system with 2190 as a slave system.
Max width achievable with double system: 6m, with treble system: 6m, other max. data as above.
Profile 2191 can be bent to a 20cm min. radius.
Supplied complete, hardware only, partially assembled including recessed switch and cross rods.

Profile as standard in silver or white. For complete system cost please add price for fabric.
See Page 89 for Radio Control options.
*Cantilever option available for single systems. Please add 30%

*Single System Prices Silver or White

Width > Drop (cms)	Up to 100cms	101cms-150cms	151cms-200cms	201cms-250cms	251cms-300cms
150	3063.97	3135.50	3207.06	3278.59	3350.11
200	3193.18	3264.78	3336.31	3407.88	3479.49
250	3322.50	3394.03	3465.55	3537.05	3608.63
300	3451.78	3523.24	3594.81	3666.36	3737.87
350	3581.02	3652.54	3724.07	3795.59	3867.12
400	3710.20	3781.77	3853.39	3924.89	3996.42
450	3839.49	3911.07	3982.62	4054.07	4125.62
500	3968.73	4040.29	4111.85	4183.38	4254.95
550	4098.04	4169.57	4241.12	4312.62	4384.25
600	4227.27	4298.81	4370.40	4441.92	4513.47

Double System Prices Silver or White

Width > Drop (cms)	Up to 200cms	201 cms-300 cms	301cms-400cms	401cms-600cms
150	3826.23	3966.14	4105.97	4385.61
200	4078.91	4218.65	4358.62	4638.25
250	4331.57	4471.41	4611.28	4890.96
300	4584.24	4724.15	4863.91	5143.55
350	4836.83	4976.70	5116.51	5396.12
400	5089.51	5229.37	5369.13	5648.83
450	5342.08	5481.96	5621.78	5901.48
500	5594.74	5734.61	5874.44	6154.12
550	5847.37	5987.27	6127.03	6406.66
600	6100.09	6239.89	6379.67	6659.33

Treble System Prices Silver or White

Width > Drop (cms)	Up to 300cms	301 cms-400 cms	401cms-500cms	501cms-600cms
150	4380.53	4588.62	4796.75	4900.86
200	4756.44	4964.66	5172.78	5276.79
250	5132.54	5340.76	5548.81	5652.84
300	5508.50	5716.60	5924.88	6028.87
350	5884.55	6092.67	6300.84	6404.93
400	6260.53	6468.69	6676.83	6780.87
450	6636.64	6844.71	7052.86	7156.89
500	7012.56	7220.77	7428.86	7532.94
550	7388.65	7596.81	7804.92	7908.94
600	7764.60	7972.75	8180.94	8284.94

Components

- 3825 Clamp, 10, 100
- 2230 Set, white or grey
- 5130 Belt
- 2160 Motor
- 2759 Cross Rod
- 2242 Connector
- 2156 Drive Shaft
- 2248 Cross Rod
- 2145 Telescopic glider
- 3181 Bracket (single clamp) silver or white
- 2139 Bracket (double clamp) silver or white

Bending

Add the following to above system price:

Radius/cm	Single System	Double System	Treble System
25-99	£370.00	£741.00	£1111.50
over 99	£703.00	£1406.50	£2121.50

Standard angle radius 20cm.

Price Ctg.

Fabric for curved, sloping or horizontal Skylight Systems 2190/2195.

Made-to-measure Roman Blind for Systems 2190/2195.

Prices for made-up-blind, without hardware, per square metre.

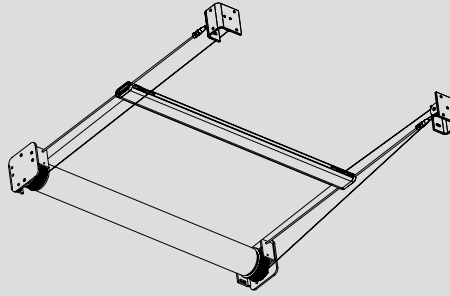
Aluscreen Futura	£351.43 m ²
Colorama Acoustic	£262.02 m ²
Colorama Acoustic Multicolour	£262.02 m ²
Colorama Dimout	£351.43 m ²
Colorama 1	£220.41 m ²
Colorama 1 Alu	£304.19 m ²
Colorama 1 Bioactive	£262.02 m ²
Colorama 1 Eco	£262.02 m ²
Colorama 1 Multicolour	£262.02 m ²
Colorama 2	£304.19 m ²
Colorama 2 Bioactive	£304.19 m ²
Colorama 2 Eco	£304.19 m ²
Colorama 2 Multicolour	£304.19 m ²
Leviso Light	£262.02 m ²
Multicolour Natura	£304.19 m ²
Multiscreen 5%	£327.81 m ²
Multiscreen 10%	£327.81 m ²
Oscurante	£262.02 m ²
Reflex	£241.22 m ²
Versascreen 5%	£327.81 m ²
Versascreen 10%	£327.81 m ²



Skylight Shading Systems

SG 8600

Electrically Operated
tension roller blind.



SG 8600

Electrically operated tensioned roller blind system.
Max. width: 4m. Max. drop: 6.5m

SG 8600 with Basicscreen 5% / Multiscreen 5% / Versascreen 5%

Price Category 'C'

Width Drop	110cm	150cm	200cm	250cm	300cm	350cm	400cm	Width Drop
100	3779.54	3816.33	4080.67	4118.00	4373.79	4419.75	4465.70	100
150	3818.48	3869.37	4151.40	4206.38	4479.90	4562.91	4607.13	150
200	3857.34	3922.38	4222.10	4294.81	4585.90	4667.29	4748.57	200
250	3896.24	3975.46	4292.82	4383.16	4692.03	4791.04	4890.05	250
300	3935.14	4028.44	4363.52	4471.58	4798.08	4914.81	5031.48	300
350	4142.99	4250.49	4594.65	4729.05	5077.41	5207.46	5341.83	350
400	4181.87	4303.52	4665.35	4817.42	5222.32	5331.23	5483.29	400
450	4220.75	4356.54	4736.07	4905.83	5285.29	5455.01	5624.72	450
500	4259.66	4409.61	4806.82	4994.24	5391.32	5578.74		500
550	4298.54	4462.63	4877.53	5082.62	5497.41	5702.50		550
600	4337.47	4515.69	4948.27	5171.05	5603.45			600
650	4376.35	4568.68	5018.98	5259.41	5709.56			650

SG 8600 with Aluscreen Futura / Safescreen / Screenblock / Polyblock

Price Category C

Width Drop	110cm	150cm	200cm	250cm	300cm	350cm	400cm	Width Drop
100	3819.96	3871.45	4154.09	4210.25	4483.97	4548.70	4612.61	100
150	3874.37	3945.59	4253.05	4333.46	4632.36	4721.47	4810.53	150
200	3928.84	4019.85	4352.01	4457.21	4780.84	4894.64	5008.45	200
250	3983.26	4137.21	4450.97	4537.78	4929.24	5067.81	5206.41	250
300	4037.65	4168.29	4549.93	4704.62	5077.72	5240.78	5404.29	300
350	4261.00	4411.49	4809.32	4997.33	5395.09	5583.57	5771.15	350
400	4315.45	4485.73	4908.70	5121.02	5543.54	5756.28	5969.06	400
450	4369.90	4559.92	5007.25	5244.70	5692.00	5929.45	6166.99	450
500	4424.33	4634.10	5106.20	5368.46	5840.41	6102.68		500
550	4478.75	4708.38	5205.16	5492.13	5988.89	6275.86		550
600	4576.31	4782.57	5304.11	5615.87	6137.30			600
650	4587.61	4856.76	5403.04	5739.55	6285.74			650

Motor is fitted as standard to the left. Should you require a right hand motor there will be an additional cost of £269.63

Profiles are standard in white (RAL 9016). Alternative standard RAL colours are available at a cost of £403.72 (per system, nett, Cat E).

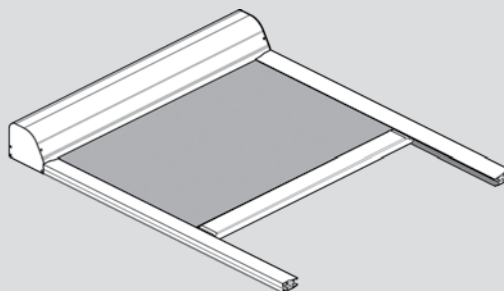
All prices shown exclude VAT



Skylight Shading Systems

SG 8640

Electrically Operated
Tensioned roller blind with
fabric edge retention.



SG 8640

Minimum width 650mm. Max width 3000mm
Maximum length 4500mm. Systems over 3000mm length use a larger barrel & headbox.
Please see catalogue for sizing limitations.
*Width restrictions apply, see below.

Price Group 1 – Multiscreen 1% / 5% and Versascreen 1% / 5%

Price Category 'C'

Width Drop	100cm	150cm	200cm	250cm	300cm	Width Drop
150	4964.84	5391.03	5637.52	6038.24	6284.72	150
200	5283.41	5791.77	6120.40	6603.29	6931.93	200
250	5447.73	6038.24	6449.04	7014.11	7424.88	250
300	5612.04	6284.72	6777.68	7424.88	7917.86	300
350	5930.62	6685.44	7260.57	7989.92	8565.05	350
400	6094.94	6931.93	7589.20	8400.75	9058.00	400
450	6259.28	7178.40	7917.86	8811.53	9550.98	450

Price Group 2 – Aluscreen Futura / C-Screen / Polyblock / Screenblock

Width Drop	100cm	150cm	200cm	250cm	300cm	Width Drop
150	5060.84	5535.03	5829.49	6278.24	6572.71	150
200	5411.40	5983.74	6376.38	6923.25	7904.85	200
250	5582.76	6278.24	6769.01	7414.07	7904.85	250
300	5804.04	6572.71	7161.65	7904.85	8493.80	300
350	6154.61	7021.43	7708.52	8549.88	9236.99	350
400	6350.91	7315.90	8101.30	9040.68	9825.94	400
450	6547.25	7610.37	8493.80	9531.47	10414.90	450

3.0 x 3.0m max in any orientation.

*Max 2.5m wide x 4.5m long / 11m² greater than 30° from vertical.

White Hardware available as standard (RAL 9016 white). Alternative standard RAL colours are available at a cost of £403.72 (per system, nett, Cat E).

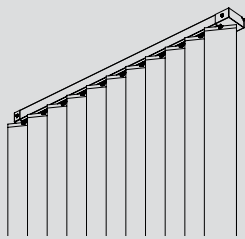
For use with remote, please see Page 28 for external receivers and remote control options. Details on compatible receivers and remotes can be found on Pages 89-90.

All prices shown exclude VAT



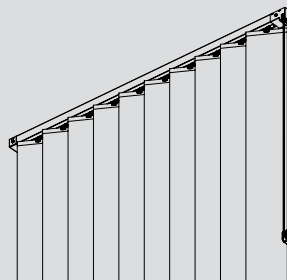
Vertical Blind Systems

SG 2960



SG 2910

Profile available in 6 metre lengths only.
Headrail available in silver, white and black.



SG 2960

Electrically Operated Vertical Blind System

Track system only complete, assembled, ready to hang.

Min. system width: 110cm
Max. system width: 500cm
Available in 127mm
Silver, white and black at same cost.

SG 2910

Chain Operated Vertical Blind System

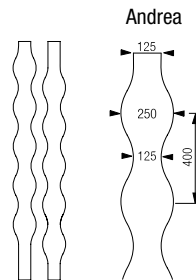
Track and Accessories only

Track system only complete, assembled, ready to hang.

Min. system width: 50cm
Max. system width: 500cm

Hardware only, no fabric.
Excluding bottom weight and link cord but including 11845 top clips and 3033 top fix clamps.
Wall fixing brackets extra (see below) Prices given are for 127mm/5" louvres.
Silver, white and black at same cost.

Vertical Waves by Eva Marmbrandt



Vertical Waves Fabric Price Group 2 Made in Multi Visio and Multi Shadow

Minimum and maximum system length as per individual system information.

Minimum louvre drop 104cm (127mm)

Minimum distance from wall 140mm

Fabric price categories

For SG 2910 complete with fabrics (see tables over)

Price Group 1

Element
Function
Multi Shadow
Palisade Pearl
Palisade Revive
Multi Visio

Price Group 2

Alutex
Colorama 2
Mercurio
Multicolour Screen
Multiscreen 5%
Nox
Versascreen 1%
Versascreen 2%
Versascreen 5%
Versascreen 10%
Vertical Wave

Price Group 3

Colorama 2 Bioactive
Reflex
3D Vertical Wave (Multi Visio)*
+20% + Set up charge

All above fabrics are FR.

*3D Vertical Waves

£485.65 set up charge.
Please add to assembled priced.
Made in multi Visio Colour 1
127mm Andrea Design Only.

Printing Information

All RAL colours applicable (except white, pearl and fluorescent colours). Height 218cm to 297cm
5 shape louvre and 6 shape louvre.

	Price Ctg.
Pricing for SG 2960 Add to relevant hardware or hardware and fabric price over:	C
2960 £970.14 Supplied with a series 40 motor as standard, series 50 motor can be supplied at no additional cost.	
Control R Radio Controls is possible with interface, please consult Silent Gliss	C

Standard Accessories	Price Ctg.
3033 Clamp 6781 Pan head screw 11790 Pilot runner white, black 11793 Rotation element set, 127mm white, black 11826 Belt return white, grey, black 11834 Motor adapter 11837 Belt connector, left 11838 Belt connector, right 11841 Cover white, grey, black 11842 Bracket white, grey, black 11844 Drive belt 11845 Top clip, 127mm white, black 11854 End stop white, black 11856 End stop white, grey, black 11860 Profile white, silver, black 11862 Motor drive set 11871 Lock 11882 Cover left white, grey, black (11883 right) 11891 Motor set right white, grey, black for 40 Series (11890 left)	C

Pricing Examples 2960 200cm width, straight hardware only:
2910 +per system
£732.59 +£970.14
= £1702.73

Note: Price based on 127mm/5" system.

Recess Profile and Accessories White, Silver, Black Charged at nearest 20cm above	Price Ctg.
Add to price Per Metre Per Track	
£75.53 £173.23	

All prices shown exclude VAT

Price Category C		Width up to cm		Width up to cm/ft.ins.		Width up to cm/ft.ins.	
120	£528.42	280	£936.59	440	£1344.83	440	£1344.83
140	£579.46	300	£987.67	460	£1395.83	460	£1395.83
160	£630.52	320	£1038.68	480	£1446.90	480	£1446.90
180	£681.55	340	£1089.68	500	£1497.87	500	£1497.87
200	£732.59	360	£1140.79				
220	£783.59	380	£1191.77				
240	£834.64	400	£1242.80				
260	£885.71	420	£1293.86				

Standard Accessories	Price Ctg.	Recess Profile and Accessories White, Silver, Black Charged at nearest 20cm above	Price Ctg.
4845 Bead chain Stainless Steel	A	Add to price	C
3033 Clamp	C	Per Metre Per Track	
11790 Pilot runner white, black		£58.17 £13.97	
11793 Rotation element set white, black		N.B.	
11805 Chain drive, white, black, grey		For guidance the following number of louvres per metre should be calculated:	
11813 Belt return, white, black, grey		127mm : 10/metre	
11837 Belt connector			
11838 Belt connector			
11844 Driving belt			
11845 Top clip, 127mm white, black			
11854 Endstop white, black			
11856 End stop, white, black, grey			
11863 Profile white, silver, black			
11871 Lock			

10731 Child safety retainer set	Price Ctg.
	E

Optional Accessories (Additional Charges May Apply)	Price Ctg.
11201-11204 SmartFix 11211-11214 Square SmartFix 11154-11156 UniversalFix	A
2962 Connection bridge 5118 Wedge 11847 Bottom weight for chain, 127mm white, black 11851 Bottom link, white, black 11849 Bottom weight 127mm, white, black 11866 Recess profile white, silver, black 11886 Recess mask white, silver, black	C



SG 2910 complete with fabric

The prices below comprise complete system, silver, white and black ready-to-hang, top fix, single or pair stack with fabric choice in 127mm/5" louvres (see fabric price categories). Includes bottom weights and bottom link cord to both sides. Wall fix brackets extra. If sizes lie between the measurements shown, the price for the next larger size will apply. Set up costs apply for 3D vertical waves.

Price Category C

Width cm	UP TO 120			UP TO 140			UP TO 160		
	1	2	3	1	2	3	1	2	3
Drop cm									
60	670.73	717.55	768.40	736.35	791.00	850.33	801.90	864.38	932.14
80	687.67	750.11	817.86	756.07	828.93	908.07	824.48	907.75	998.09
100	704.55	782.76	867.38	775.89	866.97	965.78	847.05	951.26	1064.12
120	721.55	815.23	916.74	795.57	904.91	1023.46	869.62	994.66	1130.11
140	738.42	847.80	966.38	815.31	942.91	1081.18	892.19	1038.02	1196.04
160	755.35	880.35	1015.82	835.06	980.93	1138.92	914.78	1081.43	1261.96
180	772.31	912.93	1065.29	854.87	1018.86	1196.72	937.36	1124.87	1327.97
200	789.24	945.52	1114.80	874.56	1056.91	1254.40	959.92	1168.21	1393.94
220	806.24	977.94	1164.24	894.39	1094.88	1312.10	982.53	1211.69	1459.98
240	823.15	1010.49	1213.76	914.06	1132.78	1369.88	1005.14	1255.07	1525.97
260	839.98	1043.19	1263.21	933.80	1170.82	1427.59	1027.66	1298.49	1591.96
280	856.95	1075.69	1312.75	953.59	1208.75	1485.30	1050.22	1341.89	1657.96
300	873.92	1108.30	1362.23	973.31	1246.77	1543.06	1072.70	1385.27	1723.83
320	890.84	1140.81	1411.70	993.13	1284.79	1600.76	1095.35	1428.64	1789.89
340	907.73	1173.35	1461.20	1012.86	1322.67	1658.52	1117.97	1472.18	1855.86
360	924.64	1205.90	1510.67	1032.61	1360.73	1716.25	1140.50	1515.53	1921.84
380	941.64	1238.44	1560.15	1052.37	1398.63	1773.99	1163.14	1558.95	1987.87
400	958.57	1271.00	1609.63	1072.10	1436.66	1831.76	1185.69	1602.31	2053.79

Width cm	UP TO 180			UP TO 200			UP TO 220		
	1	2	3	1	2	3	1	2	3
Drop cm									
60	867.52	937.85	1013.98	933.17	1011.18	1095.87	998.67	1084.63	1177.72
80	892.87	986.66	1088.17	961.31	1065.47	1178.45	1029.75	1144.37	1268.45
100	918.23	1035.48	1162.45	989.47	1119.68	1260.77	1060.77	1204.01	1359.21
120	943.71	1084.24	1236.66	1017.74	1173.99	1343.28	1091.81	1263.63	1449.93
140	969.10	1133.15	1310.91	1046.00	1228.19	1425.79	1122.85	1323.40	1540.65
160	994.45	1181.95	1385.13	1074.21	1282.53	1508.27	1153.84	1383.02	1631.31
180	1019.85	1230.81	1459.41	1102.42	1336.78	1590.71	1184.92	1442.77	1722.06
200	1045.27	1279.60	1533.58	1130.68	1390.96	1673.20	1215.96	1502.39	1812.81
220	1070.72	1328.46	1607.78	1158.86	1445.31	1755.68	1246.99	1562.09	1903.52
240	1096.05	1377.34	1682.09	1187.09	1499.48	1838.15	1278.05	1621.78	1994.21
260	1121.48	1426.11	1756.24	1215.29	1553.84	1920.59	1309.14	1681.43	2084.99
280	1146.82	1474.94	1830.54	1243.50	1608.06	2003.12	1340.15	1741.13	2175.66
300	1172.30	1523.80	1904.78	1271.69	1662.30	2085.53	1371.16	1800.78	2266.46
320	1197.67	1572.65	1978.98	1299.94	1716.60	2168.04	1402.25	1860.44	2357.21
340	1223.02	1621.47	2053.17	1328.12	1770.83	2250.50	1433.27	1920.17	2447.89
360	1248.44	1670.34	2127.42	1356.41	1825.08	2333.01	1464.33	1979.85	2538.58
380	1273.89	1719.11	2201.66	1384.67	1879.32	2415.47	1495.34	2039.50	2629.28
400	1299.18	1767.93	2275.91	1412.82	1933.60	2497.95	1526.35	2099.21	2720.05

Width cm	UP TO 240			UP TO 260			UP TO 280		
	1	2	3	1	2	3	1	2	3
Drop cm									
60	1064.32	1158.06	1259.66	1129.87	1231.40	1341.44	1195.47	1304.86	1423.35
80	1098.12	1223.07	1358.64	1166.56	1301.93	1448.67	1234.94	1380.75	1538.78
100	1132.03	1288.22	1457.51	1203.23	1372.46	1555.94	1274.48	1456.74	1654.27
120	1165.90	1353.37	1556.46	1239.90	1442.99	1663.15	1314.02	1532.74	1769.79
140	1199.65	1418.44	1655.50	1276.61	1513.61	1770.37	1353.51	1608.67	1885.24
160	1233.60	1483.52	1754.49	1313.26	1584.14	1877.61	1392.97	1684.64	2000.63
180	1267.45	1548.70	1853.43	1350.00	1654.62	1984.76	1432.47	1760.61	2116.19
200	1301.30	1613.77	1952.48	1386.66	1725.11	2092.01	1472.01	1836.57	2231.61
220	1335.21	1678.85	2051.33	1423.35	1795.71	2199.30	1511.58	1912.47	2347.10
240	1368.97	1743.93	2150.30	1460.01	1866.25	2306.42	1551.06	1988.46	2462.54
260	1402.88	1809.14	2249.32	1496.71	1936.80	2413.73	1590.54	2064.46	2578.03
280	1436.78	1874.21	2348.25	1533.39	2007.31	2520.88	1630.03	2140.32	2693.51
300	1470.60	1939.41	2447.28	1570.07	2077.83	2628.08	1669.52	2216.35	2808.91
320	1504.52	2004.44	2546.24	1606.76	2148.33	2735.31	1709.09	2292.33	2924.46
340	1538.32	2069.56	2645.19	1643.48	2218.95	2842.51	1748.61	2368.31	3039.83
360	1572.21	2134.65	2744.14	1680.16	2289.46	2949.74	1788.06	2444.23	3155.35
380	1606.07	2199.82	2843.07	1716.78	2360.02	3056.95	1827.57	2520.15	3270.79
400	1639.89	2264.89	2942.10	1753.51	2430.50	3164.12	1867.03	2596.12	3386.25

All prices shown exclude VAT



SG 2910 complete with fabric

The prices below comprise complete system, silver, white and black ready-to-hang, top fix, single or pair stack with fabric choice in 127mm/5" louvres (see fabric price categories). Includes bottom weights and bottom link cord to both sides. Wall fix brackets extra. If sizes lie between the measurements shown, the price for the next larger size will apply. Set up costs apply for 3D vertical waves.

Price Category C

Width cm	UP TO 300			UP TO 320			UP TO 340		
Drop cm	1	2	3	1	2	3	1	2	3
60	1261.08	1378.22	1505.18	1326.64	1451.61	1587.13	1392.27	1525.03	1668.98
80	1303.35	1459.69	1628.93	1371.81	1538.42	1719.03	1440.22	1617.23	1809.22
100	1345.70	1541.03	1752.65	1416.93	1625.28	1851.04	1488.21	1709.53	1949.38
120	1388.02	1622.39	1876.31	1462.13	1712.02	1982.98	1536.16	1801.72	2089.59
140	1430.31	1703.83	2000.15	1507.27	1798.86	2114.97	1584.14	1894.07	2229.75
160	1472.68	1785.19	2123.79	1552.40	1885.66	2246.84	1632.10	1986.23	2369.96
180	1515.02	1866.55	2247.50	1597.58	1972.53	2378.84	1680.06	2078.50	2510.21
200	1557.34	1947.94	2371.18	1642.77	2059.29	2510.81	1728.06	2170.75	2650.41
220	1599.68	2029.30	2494.90	1687.88	2146.14	2642.78	1776.05	2262.94	2790.63
240	1642.02	2110.65	2618.68	1733.01	2232.95	2774.76	1824.01	2355.17	2930.84
260	1684.33	2192.07	2742.34	1778.10	2319.75	2906.70	1871.94	2447.42	3071.05
280	1726.70	2273.51	2866.11	1823.30	2406.57	3038.68	1919.95	2539.61	3211.30
300	1768.98	2354.88	2989.80	1868.46	2493.39	3170.65	1967.94	2631.95	3351.43
320	1811.35	2436.24	3113.46	1913.63	2580.22	3302.52	2015.90	2724.11	3491.69
340	1853.64	2517.64	3237.20	1958.77	2667.00	3434.51	2063.79	2816.34	3631.85
360	1896.01	2599.01	3360.92	2003.83	2753.85	3566.49	2111.81	2908.64	3772.09
380	1938.25	2680.41	3484.62	2049.06	2840.64	3698.50	2159.78	3000.83	3912.27
400	1980.69	2761.77	3608.31	2094.22	2927.52	3830.47	2207.76	3093.09	4052.49

Width cm	UP TO 360			UP TO 380			UP TO 400		
Drop cm	1	2	3	1	2	3	1	2	3
60	1457.82	1598.42	1750.79	1523.46	1671.87	1832.72	1588.99	1745.25	1914.59
80	1508.63	1696.14	1899.27	1577.06	1774.93	1989.35	1645.46	1853.78	2079.52
100	1559.42	1793.82	2047.69	1630.68	1878.04	2146.11	1701.84	1962.31	2244.48
120	1610.19	1891.44	2196.25	1684.29	1981.10	2302.82	1758.29	2070.79	2409.42
140	1661.05	1989.14	2344.69	1737.95	2084.21	2459.48	1814.80	2179.25	2574.36
160	1711.79	2086.80	2493.10	1791.48	2187.27	2616.16	1871.24	2287.87	2739.34
180	1762.58	2184.40	2641.56	1845.10	2290.40	2772.91	1927.63	2396.31	2904.28
200	1813.34	2282.09	2789.98	1898.73	2393.46	2929.59	1984.12	2504.84	3069.24
220	1864.22	2379.71	2938.45	1952.39	2496.59	3086.36	2040.51	2613.40	3234.19
240	1914.96	2477.47	3086.98	2005.97	2599.64	3242.98	2096.97	2721.88	3399.10
260	1965.77	2575.06	3235.42	2059.64	2702.73	3399.75	2153.40	2830.40	3564.10
280	2016.55	2672.72	3383.82	2113.19	2805.81	3556.49	2209.83	2938.88	3729.02
300	2067.35	2770.39	3532.31	2166.84	2908.90	3713.12	2266.29	3047.41	3893.90
320	2118.15	2868.09	3680.81	2220.42	3011.98	3869.93	2322.71	3155.97	4058.94
340	2168.94	2965.78	3829.21	2274.06	3115.09	4026.53	2379.15	3264.45	4223.84
360	2219.71	3063.37	3977.71	2327.67	3218.21	4183.22	2435.58	3372.92	4388.86
380	2270.53	3161.07	4126.08	2381.24	3321.22	4339.92	2491.98	3481.44	4553.84
400	2321.33	3258.72	4274.59	2434.90	3424.39	4496.67	2548.42	3589.96	4718.80

Width cm	UP TO 420			UP TO 440			UP TO 460		
Drop cm	1	2	3	1	2	3	1	2	3
60	1654.61	1818.64	1996.45	1720.26	1892.08	2078.26	1785.81	1965.40	2160.15
80	1713.85	1932.60	2169.66	1782.30	2011.40	2259.78	1850.76	2090.32	2349.82
100	1773.11	2046.51	2342.86	1844.40	2130.77	2441.24	1915.54	2215.11	2539.57
120	1832.41	2160.51	2516.06	1906.50	2250.11	2622.65	1980.47	2339.87	2729.29
140	1891.67	2274.43	2689.26	1968.56	2369.50	2804.16	2045.45	2464.64	2918.93
160	1950.92	2388.31	2862.43	2030.61	2488.89	2985.56	2110.35	2589.41	3108.68
180	2010.17	2502.31	3035.60	2092.66	2608.26	3167.05	2175.24	2714.24	3298.35
200	2069.41	2616.17	3208.80	2154.80	2727.64	3348.44	2240.14	2839.00	3488.03
220	2128.73	2730.23	3382.04	2216.92	2846.98	3529.92	2305.02	2963.85	3677.75
240	2187.97	2844.11	3555.24	2278.92	2966.36	3711.34	2369.94	3088.54	3867.42
260	2247.24	2958.10	3728.35	2341.07	3085.73	3892.78	2434.85	3213.39	4057.12
280	2306.45	3072.04	3901.60	2403.06	3205.05	4074.24	2499.73	3338.20	4246.79
300	2365.72	3185.99	4074.83	2465.18	3324.43	4255.70	2564.68	3463.00	4436.47
320	2424.98	3299.87	4248.00	2527.29	3443.78	4437.12	2629.54	3587.81	4626.25
340	2484.22	3413.81	4421.24	2589.31	3563.13	4618.52	2694.45	3712.56	4815.92
360	2543.43	3527.70	4594.41	2651.41	3682.55	4800.02	2759.32	3837.32	5005.60
380	2602.79	3641.68	4767.67	2713.51	3801.92	4981.48	2824.20	3962.17	5195.29
400	2662.02	3755.66	4940.86	2775.58	3921.32	5162.92	2889.16	4086.89	5385.04

All prices shown exclude VAT



SG 2910 complete with fabric

The prices below comprise complete system, silver, white and black ready-to-hang, top fix, single or pair stack with fabric choice in 127mm/5" louvres (see fabric price categories). Includes bottom weights and bottom link cord to both sides. Wall fix brackets extra. If sizes lie between the measurements shown, the price for the next larger size will apply. Set up costs apply for 3D vertical waves.

Price Category C

Width cm	UP TO 480			UP TO 500		
	1	2	3	1	2	3
Drop cm						
60	1851.43	2038.96	2242.12	1916.93	2112.28	2323.97
80	1919.18	2169.09	2440.03	1987.50	2247.84	2530.09
100	1986.87	2299.35	2637.87	2058.01	2383.57	2736.29
120	2054.56	2429.55	2835.89	2128.64	2519.18	2942.50
140	2122.27	2559.75	3033.79	2199.18	2654.86	3148.71
160	2190.05	2689.99	3231.75	2269.69	2790.53	3354.83
180	2257.71	2820.17	3429.72	2340.26	2926.17	3561.04
200	2325.46	2950.31	3627.62	2410.78	3061.81	3767.21
220	2393.19	3080.61	3825.61	2481.40	3197.43	3973.42
240	2460.92	3210.83	4023.53	2551.95	3333.12	4179.61
260	2528.69	3341.03	4221.52	2622.46	3468.66	4385.79
280	2596.33	3471.28	4419.41	2692.99	3604.35	4591.97
300	2664.12	3601.49	4617.31	2763.55	3740.01	4798.16
320	2731.86	3731.70	4815.33	2834.12	3875.60	5004.47
340	2799.55	3861.91	5013.21	2904.66	4011.26	5210.55
360	2867.28	3992.18	5211.22	2975.20	4146.97	5416.76
380	2935.01	4122.32	5409.17	3045.70	4282.54	5622.92
400	3002.69	4252.53	5607.08	3116.22	4418.27	5829.19

All prices shown exclude VAT

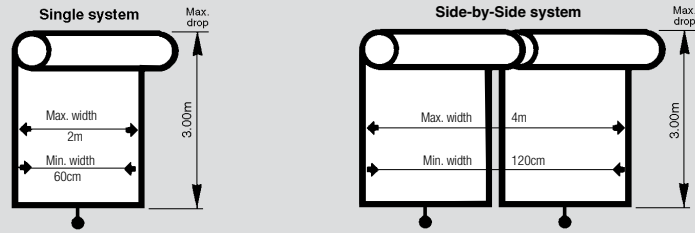


Roller Blind Systems

SG 4900

Spring operation with decelerator.
Tube diameter 32.2mm

Max. surface area 6m²
Max m² depends on fabric type



System 4900 complete with fabric

The prices below comprise the complete system made-to-measure, ready-to-hang with fabric of your choice. Operation as standard with pull-ball.
Please consult application chart (Page 51 of our main price list) to ensure that fabric chosen can be supplied in dimensions required.

Price category C

Price Group 1R

Basicscreen 5%
Basicscreen 10%
Colorama 1
Colorama 1 Alu
Colorama 1 Bioactive
Colorama 1 Eco
Colorama 1 Multicolour
Colorama Acoustic
Colorama Acoustic Multicolour
Element
Puma

Width	60cm	80cm	100cm	120cm	140cm	160cm	180cm	200cm	Width
Drop cm									Drop cm
60	326.71	345.47	364.25	383.09	401.80	420.70	439.41	458.21	60
80	333.21	354.11	375.10	395.95	416.93	437.87	458.85	479.71	80
100	339.63	362.75	385.83	408.98	431.98	455.10	478.22	501.34	100
120	346.11	371.33	396.58	421.90	447.03	472.40	497.60	522.88	120
140	352.55	379.94	407.34	434.80	462.14	489.56	516.96	544.41	140
160	358.99	388.57	418.12	447.74	477.26	506.78	536.39	565.95	160
180	365.43	397.21	428.95	460.65	492.35	524.08	555.85	587.41	180
200	372.06	405.76	439.68	473.58	507.36	541.32	575.14	609.06	200
220	378.43	414.48	450.51	486.41	522.46	558.52	594.57	630.56	220
240	384.90	423.08	461.22	499.44	537.58	575.78	613.94	652.10	240
260	391.33	431.71	472.02	512.34	552.73	592.98	633.38	673.77	260
280	397.83	440.28	482.77	525.20	567.82	610.25	652.73	695.19	280
300	404.26	448.96	493.51	538.14	582.87	627.48	672.13	716.76	300

Price Group 2R

Alutex
Colorama 2
Colorama 2 Bioactive
Colorama 2 Eco
Colorama 2 Multicolour
Mercurio
Multi Visio
Multicolour Screen
Multishadow
Multiscreen 5%
Multiscreen 10%
Newlifescreeen
Nox

Width	60cm	80cm	100cm	120cm	140cm	160cm	180cm	200cm	Width
Drop cm									Drop cm
60	339.06	361.90	384.75	407.66	430.59	453.42	476.33	499.19	60
80	349.53	375.97	402.39	428.82	455.20	481.57	507.97	534.41	80
100	360.16	390.04	420.01	449.85	479.77	509.77	539.70	569.60	100
120	370.69	404.14	437.61	471.10	504.54	537.91	571.35	604.82	120
140	381.25	418.22	455.20	492.16	529.14	566.15	603.09	640.00	140
160	391.86	432.33	472.73	513.31	553.79	594.27	634.71	675.23	160
180	402.39	446.33	490.35	534.41	578.50	622.46	666.44	710.44	180
200	412.93	460.45	507.97	555.51	603.09	650.57	698.10	745.69	200
220	423.51	474.51	525.55	576.66	627.72	678.73	729.78	780.86	220
240	434.09	488.59	543.27	597.76	652.37	706.90	761.51	816.13	240
260	444.65	502.72	560.80	618.89	676.99	735.06	793.15	851.23	260
280	455.20	516.81	578.50	640.00	701.57	763.24	824.85	886.45	280
300	465.79	530.84	596.01	661.16	726.27	791.37	856.53	921.67	300

Price Group 3R

Aluscreen Futura
Newlifescreeen Alu
Multicolour Dimout

Width	60cm	80cm	100cm	120cm	140cm	160cm	180cm	200cm	Width
Drop cm									Drop cm
60	365.59	397.40	429.05	460.80	492.58	524.35	556.02	587.87	60
80	385.01	423.23	461.45	499.71	537.96	576.14	614.42	652.58	80
100	404.43	449.18	493.92	538.60	583.26	627.94	672.68	717.36	100
120	423.93	475.06	526.23	577.45	628.59	679.74	730.98	782.13	120
140	443.32	500.91	558.61	616.28	673.93	731.61	789.21	846.87	140
160	462.70	526.86	591.06	655.08	719.23	783.37	847.57	911.64	160
180	482.13	552.76	623.41	693.95	764.59	835.20	905.74	976.41	180
200	501.61	578.64	655.74	732.85	809.90	886.94	964.04	1041.19	200
220	520.97	604.57	688.18	771.70	855.20	938.80	1022.37	1105.88	220
240	540.46	630.47	720.57	810.53	900.52	990.56	1080.62	1170.69	240
260	559.85	656.36	752.84	849.40	945.88	1042.43	1138.91	1235.36	260
280	579.28	682.26	785.27	888.26	991.18	1094.20	1197.21	1300.16	280
300	598.67	708.20	817.68	927.11	1036.56	1146.09	1255.48	1364.94	300

Installation Profile

Provides an alternative to fitting to the wall or ceiling, supplied made to measure in silver or white £37.67 per m add on. Other custom colours available, pricing as per Page 67 of our main price list.

SG 4900 – Side-by-Side System

Simply price as two separate systems stating side-by-side.

Stop Controller

For optional stop controller add £23.29

All prices shown exclude VAT



Roller Blind Systems

Laminated Blinds (Customer's own material for Roller Blinds)

Supply your own fabric, we will provide the laminating service. Prices below include for hardware systems 4900/4910. Sewn-in bottom bar supplied as standard (Trim 16). Our laminate will usually be supplied in cream as standard.

Please send a flat sample of customer's own material (1m²minimum) so that Silent Gliss can confirm suitability for laminating. All fabrics must be approved prior to ordering and must be supplied on cardboard tubes carefully protected and not folded.

Price Category C

Width cm	System	100	120	140	160	170	180	200	220	230	Width cm
Drop cm											Drop cm
90		487.09	525.44	563.94	602.26	640.61	1031.13	1047.45	1127.57	1147.44	90
120		541.49	590.70	640.13	689.38	738.55	1075.81	1114.80	1180.74	1239.59	120
150	4900/	595.95	656.02	716.43	776.45	836.52	1179.99	1242.39	1304.79	1455.80	150
180	4910/	650.37	721.31	792.63	863.54	934.48	1250.88	1398.34	1460.74	1594.02	180
210	(4960 electric)	704.73	786.65	868.80	950.66	1032.48	1403.29				210
240		759.06	851.72	944.77	1037.45	1130.13	1481.26				240
270		945.25	1050.51	1156.27	1261.54	1366.74	1640.76				270
300		999.63	1115.81	1235.14	1353.81	1475.90					300
Prices in this table are for spring or chain operation. For standard electric (4960) add £748.93											

Flame Retardant (FR) Laminate

Add 20% to prices shown above. FR laminate available in white or cream.

Blackout Laminate

Add 20% to prices shown above. Blackout laminate available in white or cream.

Decorative Trims

Price on request.

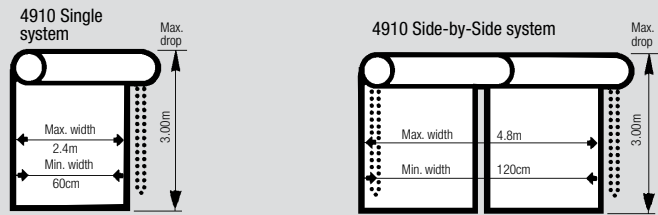


Roller Blind Systems

SG 4910

Chain operated roller blinds.
Tube diameter 41mm

Max. surface area 7.2m²
Max m² depends on fabric type



SG 4910 complete with fabric

The prices below comprise the complete system made-to-measure, ready-to-hang with fabric of your choice. Brackets, bracket covers, bottom bar and bottom bar endcaps supplied as standard in either white, grey or black. Please consult application chart (Page 51) to ensure that fabric desired can be supplied in dimensions required. Stainless steel operating chain supplied as standard (brass chain also available at no additional cost).

Price category C

Price Group 1R

Basicscreen 1%
Basicscreen 5%
Basicscreen 10%
Colorama 1
Colorama 1 Alu
Colorama 1 Bioactive
Colorama 1 Eco
Colorama 1 Multicolour
Colorama Acoustic
Colorama Acoustic Multicolour
Element
Puma

Width	60cm	80cm	100cm	120cm	140cm	160cm	180cm	200cm	220cm	230cm	240cm	Width
Drop cm												Drop cm
60	326.71	345.47	364.25	383.09	401.80	420.70	439.41	458.21	476.99	486.37	495.81	60
80	333.21	354.11	375.10	395.95	416.93	437.87	458.85	479.71	500.67	511.17	521.65	80
100	339.63	362.75	385.83	408.98	431.98	455.10	478.22	501.34	521.76	531.98	542.19	100
120	346.11	371.33	396.58	421.90	447.03	472.40	497.60	522.88	548.10	560.74	573.34	120
140	352.55	379.94	407.34	434.80	462.14	489.56	516.96	544.41	571.79	585.53	599.16	140
160	358.99	388.57	418.12	447.74	477.26	506.78	536.39	565.95	595.58	610.41	625.19	160
180	365.43	397.21	428.95	460.65	492.35	524.08	555.85	587.41	619.12	635.03	650.81	180
200	372.06	405.76	439.68	473.58	507.36	541.32	575.14	609.06	642.91	659.80	676.69	200
220	378.43	414.48	450.51	486.41	522.46	558.52	594.57	630.56	666.66	684.63	702.69	220
240	384.90	423.08	461.22	499.44	537.58	575.78	613.94	652.10	690.24	709.37	728.40	240
260	391.33	431.71	472.02	512.34	552.73	592.98	633.38	673.77	714.04	734.17	754.32	260
280	397.83	440.28	482.77	525.20	567.82	610.25	652.73	695.19	737.66	758.85	780.09	280
300	404.26	448.96	493.51	538.14	582.87	627.48	672.13	716.76	761.39	783.70	806.06	300

Price Group 2R

Alutex
Atracor
Colorama 2
Colorama 2 Bioactive
Colorama 2 Eco
Colorama 2 Multicolour
Mercurio
Multi Visio
Multicolour Screen
Multishadow
Multiscreen 1%
Multiscreen 5%
Multiscreen 10%
Newlifescreen
Nox

Width	60cm	80cm	100cm	120cm	140cm	160cm	180cm	200cm	220cm	230cm	240cm	Width
Drop cm												Drop cm
60	339.06	361.90	384.75	407.66	430.59	453.42	476.33	499.19	522.01	533.47	544.92	60
80	349.53	375.97	402.39	428.82	455.20	481.57	507.97	534.41	560.80	574.05	587.24	80
100	360.16	390.04	420.01	449.85	479.77	509.77	539.70	569.60	599.47	614.46	629.39	100
120	370.69	404.14	437.61	471.10	504.54	537.91	571.35	604.82	638.33	655.05	671.82	120
140	381.25	418.22	455.20	492.16	529.14	566.15	603.09	640.00	676.99	695.51	713.95	140
160	391.86	432.33	472.73	513.31	553.79	594.27	634.71	675.23	715.71	735.89	756.15	160
180	402.39	446.33	490.35	534.41	578.50	622.46	666.44	710.44	754.45	776.49	798.51	180
200	412.93	460.45	507.97	555.51	603.09	650.57	698.10	745.69	793.16	816.94	840.68	200
220	423.51	474.51	525.55	576.66	627.72	678.73	729.78	780.86	831.91	857.46	882.92	220
240	434.09	488.59	543.27	597.76	652.37	706.90	761.51	816.13	870.65	897.96	925.19	240
260	444.65	502.72	560.80	618.89	676.99	735.06	793.15	851.23	909.34	938.39	967.52	260
280	455.20	516.81	578.50	640.00	701.57	763.24	824.85	886.45	948.04	978.82	1009.60	280
300	465.79	530.84	596.01	661.16	726.27	791.37	856.53	921.67	986.79	1019.39	1051.92	300

Price Group 3R

Aluscreen Futura
Jumbotex
Newlifescreen Alu
Multicolour Dimout

Width	60cm	80cm	100cm	120cm	140cm	160cm	180cm	200cm	220cm	230cm	240cm	Width
Drop cm												Drop cm
60	365.59	397.40	429.05	460.80	492.58	524.35	556.02	587.87	619.52	635.43	651.35	60
80	385.01	423.23	461.45	499.71	537.96	576.14	614.42	652.58	690.81	709.94	729.06	80
100	404.43	449.18	493.92	538.60	583.26	627.94	672.68	717.36	762.10	784.70	807.38	100
120	423.93	475.06	526.23	577.45	628.59	679.74	730.98	782.13	833.28	858.91	884.52	120
140	443.32	500.91	558.61	616.28	673.93	731.61	789.21	846.87	904.53	933.37	962.22	140
160	462.70	526.86	591.06	655.08	719.23	783.37	847.57	911.64	975.73	1007.82	1039.90	160
180	482.13	552.76	623.41	693.95	764.59	835.20	905.74	976.41	1046.96	1082.19	1117.45	180
200	501.61	578.64	655.74	732.85	809.90	886.94	964.04	1041.19	1118.25	1156.81	1195.35	200
220	520.97	604.57	688.18	771.70	855.20	938.80	1022.37	1105.88	1189.49	1231.27	1273.06	220
240	540.46	630.47	720.57	810.53	900.52	990.56	1080.62	1170.69	1260.75	1305.75	1350.77	240
260	559.85	656.36	752.84	849.40	945.88	1042.43	1138.91	1235.36	1331.89	1380.17	1428.39	260
280	579.28	682.26	785.27	888.26	991.18	1094.20	1197.21	1300.16	1403.09	1454.56	1506.08	280
300	598.67	708.20	817.68	927.11	1036.56	1146.09	1255.48	1364.94	1474.34	1529.05	1583.74	300

Child safety device (10482) – add-on £12.86 (Persyslem, Cat E).

Side-guiding

Side-guide wire option is available (with white, grey or black accessories) at an additional cost of £87.78.

SG 4910 – Side-by-Side System

There is no add-on. Simply order two systems, stating side-by-side. Intermediate Cover 10632 required.

Installation Profile

Provides an alternative to fitting to the wall or ceiling, supplied made to measure in silver, black, grey or white £37.67 per m add on. Other custom colours available, pricing as per Page 67.

Adjustable End Stop

For the setting of upper or lower end position - add on £40.87.

All prices shown exclude VAT



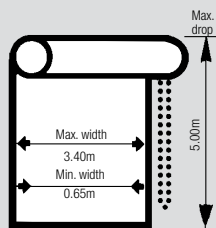
Roller Blind Systems

SG 4930

Heavy duty chain operated
Roller Blind system.
Tube diameter 60mm.

*Max. surface area 17m²

*Max. m² depends on fabric type.



SG 4930 complete with fabric

The prices below comprise the complete system made-to-measure, ready to hang with fabric of your choice. Brackets, bracket covers, bottom bar and bottom bar endcaps supplied as standard in either white, grey or black. Please be aware that due to the size capabilities of this system, larger sizes can only be achieved by welding the fabric. Fabrics that can be welded are indicated below in bold print. Please consult application chart (Page 51) to ensure that fabric desired can be supplied in dimensions required.

Price Category C

Price Group 1R

Basicscreen 1%
Basicscreen 5%
Basicscreen 10%
Colorama 1
Colorama 1 Alu
Colorama 1 Bioactive
Colorama 1 Eco
Colorama 1 Multicolour
Colorama Acoustic
Colorama Acoustic Multicolour
Element
Puma

Width Drop	100cm	125cm	150cm	175cm	200cm	225cm	250cm	275cm	300cm	325cm	340cm	Width Drop
50cm	447.14	487.32	527.20	568.43	607.17	659.58	688.41	727.16	767.22	807.19	831.18	50cm
100cm	473.60	520.85	567.55	614.32	661.02	707.83	754.53	801.19	847.97	894.73	922.76	100cm
150cm	501.06	554.53	607.95	661.38	714.90	768.36	821.83	875.28	928.72	982.21	1000.83	150cm
200cm	527.98	588.14	648.32	708.52	768.71	828.88	889.13	949.31	1009.53	1069.72	1105.82	200cm
250cm	554.88	621.80	688.76	755.67	822.61	889.51	956.45	1023.38	1090.30	1157.24	1197.40	250cm
300cm	581.83	655.47	729.17	802.80	876.39	950.10	1023.74	1097.41	1171.11	1244.73	1288.92	300cm
350cm	608.76	689.13	769.54	849.94	930.30	1010.70	1091.11	1171.43	1251.87	1332.24	1380.45	350cm
400cm	635.71	722.82	809.90	897.03	984.14	1071.27	1158.45	1245.55	1332.76	1419.73	1471.98	400cm
450cm	662.61	756.50	850.27	944.12	1037.98	1131.87	1225.79	1319.65	1413.40	1507.25	1563.53	450cm
500cm	689.54	790.17	890.64	991.21	1091.83	1192.44	1293.15	1393.73	1494.16	1594.75	1655.10	500cm

Price Group 2R

Alutex
Atracor
Colorama 2
Colorama 2 Bioactive
Colorama 2 Eco
Colorama 2 Multicolour
Mercurio
Multi Visio
Multicolour Screen
Multishadow
Multiscreen 1%
Multiscreen 5%
Multiscreen 10%
Newlifescreeen
Nox

Versascreen 1%
Versascreen 2%
Versascreen 5%
Versascreen 10%
Moon
Reflex
Safescreen

Width Drop	100cm	125cm	150cm	175cm	200cm	225cm	250cm	275cm	300cm	325cm	340cm	Width Drop
50cm	481.43	529.92	578.55	627.16	682.11	724.21	772.77	821.30	869.85	918.43	947.61	50cm
100cm	525.45	585.02	644.57	704.12	763.72	823.30	882.85	942.43	1002.03	1061.56	1097.27	100cm
150cm	569.50	640.06	710.64	781.17	851.79	922.33	992.97	1063.52	1134.13	1204.73	1247.06	150cm
200cm	613.53	695.13	776.68	858.26	939.90	1021.44	1103.06	1184.65	1266.24	1347.79	1396.76	200cm
250cm	657.55	750.16	842.79	935.37	1027.95	1120.56	1213.14	1305.74	1398.36	1495.06	1553.05	250cm
300cm	701.57	805.23	908.84	1012.46	1116.10	1219.63	1323.29	1426.93	1530.45	1634.10	1696.31	300cm
350cm	745.69	860.27	974.85	1089.50	1204.14	1318.75	1433.37	1547.98	1662.65	1773.17	1839.48	350cm
400cm	789.68	915.34	1040.98	1166.57	1292.22	1417.84	1543.46	1669.10	1794.83	1912.23	1982.67	400cm
450cm	833.67	970.42	1107.09	1243.62	1380.31	1516.90	1653.52	1790.24	1927.04	2051.31	2125.84	450cm
500cm	877.68	1025.49	1173.17	1320.69	1468.39	1616.01	1763.60	1911.38	2059.22	2190.37	2269.03	500cm

Price Group 3R

Aluscreen Futura
Jumbotex
Newlifescreeen Alu
Multicolour Dimout

Width Drop	100cm	125cm	150cm	175cm	200cm	225cm	250cm	275cm	300cm	325cm	340cm	Width Drop
50cm	555.29	622.33	689.35	756.40	823.42	890.49	957.51	1024.57	1091.58			50cm
100cm	636.27	723.58	810.86	898.14	985.43	1072.67	1159.97	1247.24	1334.53			100cm
150cm	717.27	824.82	932.33	1039.87	1147.41	1254.96	1362.47	1469.95	1577.49			150cm
200cm	798.28	926.03	1053.77	1181.57	1309.36	1437.15	1564.93	1692.71	1820.49			200cm
250cm	879.26	1027.30	1175.31	1323.32	1471.36	1619.38	1767.37	1915.38	2063.42			250cm
300cm	960.20	1128.50	1296.79	1465.08	1633.35	1801.61	1969.86	2138.14	2306.40			300cm
350cm	1041.26	1229.77	1418.28	1606.79	1795.31	1983.80	2172.38	2360.87	2549.37			350cm
400cm	1122.23	1331.02	1539.76	1748.52	1957.29	2166.04	2374.83	2583.84	2792.35			400cm
450cm	1203.16	1432.26	1661.27	1890.26	2119.27	2348.28	2577.28	2806.77	3035.35			450cm
500cm	1284.13	1533.47	1783.69	2032.01	2281.24	2530.53	2779.71	3029.69	3278.33			500cm

Side-Guiding: Side-guide wires with accessories: Please add £121.89 per system.

Installation Profile

Provides an alternative to fitting to the wall or ceiling, supplied made to measure in grey, black or white £37.67 per m add on. Other custom colours available, pricing as per Page 67.

Prices shown exclude VAT



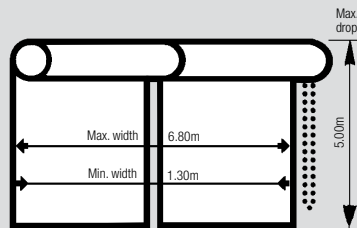
Roller Blind Systems

SG 4930 – Double Connected System

Heavy duty chain operated Roller Blind system.
Tube diameter 60mm.

*Max. surface area 30m² (15m² for each panel of side by side system)

*Max. m² depends on fabric type.



SG 4930 – Double Connected System complete with fabric

The prices below comprise the complete system made-to-measure, ready to hang with fabric of your choice. Brackets, bracket covers, bottom bar and bottom bar endcaps supplied as standard in either white, grey or black. Please be aware that due to the size capabilities of this system, larger sizes can only be achieved by welding the fabric. Fabrics that can be welded are indicated below in bold print. If a system is required as a double system smaller than widths indicated below, please add £124.90 to single system price. Please consult application chart (Page 51) to ensure that fabric desired can be supplied in dimensions required.

Price Category C

Price Group 1R

Basicscreen 1%
Basicscreen 5%
Basicscreen 10%
Colorama 1
Colorama 1 Alu
Colorama 1 Bioactive
Colorama 1 Eco
Colorama 1 Multicolour
Colorama Acoustic
Colorama Acoustic Multicolour
Element
Puma

Width Drop	350cm	375cm	400cm	425cm	450cm	475cm	500cm	525cm	550cm	575cm	600cm	625cm	650cm	680cm	Width Drop
50cm	1021.40	1061.44	1101.40	1141.39	1181.45	1221.45	1261.39	1301.41	1341.43	1381.38	1421.40	1461.42	1501.44	1549.47	50cm
100cm	1115.64	1162.39	1209.12	1255.83	1302.62	1349.36	1396.05	1442.82	1489.50	1536.28	1583.01	1629.73	1676.45	1732.52	100cm
150cm	1209.88	1263.33	1316.82	1370.32	1423.80	1477.25	1530.67	1584.16	1637.62	1691.11	1744.50	1798.09	1851.43	1915.47	150cm
200cm	1304.17	1364.33	1424.49	1484.73	1544.93	1605.10	1665.32	1725.51	1785.71	1845.90	1906.11	1966.29	2026.45	2098.59	200cm
250cm	1398.36	1465.31	1532.24	1599.12	1666.07	1733.02	1800.00	1866.91	1933.81	2000.69	2067.70	2134.52	2201.45	2281.75	250cm
300cm	1492.63	1566.30	1640.00	1713.52	1787.24	1860.93	1934.66	2008.27	2081.92	2155.49	2229.29	2302.74	2376.44	2464.89	300cm
350cm	1586.91	1667.29	1747.72	1827.96	1908.37	1988.83	2069.33	2149.63	2230.02	2310.28	2390.87	2470.94	2551.44	2648.05	350cm
400cm	1681.19	1768.30	1855.47	1942.40	2029.55	2116.75	2203.99	2291.03	2378.13	2465.08	2552.48	2639.16	2726.44	2831.15	400cm
450cm	1775.48	1869.31	1963.22	2056.69	2150.69	2244.65	2338.68	2432.38	2526.25	2619.87	2714.07	2807.39	2901.43	450cm	
500cm	1869.75	1970.30	2070.95	2171.12	2271.83	2372.55	2473.34	2573.75	2674.32	2774.67	2875.66	2976.44	3077.44	500cm	

Price Group 2R

Alutex
Atracor
Colorama 2
Colorama 2 Bioactive
Colorama 2 Eco
Colorama 2 Multicolour
Mercurio
Multi Visio
Multicolour Screen
Multishadow
Multiscreen 1%
Multiscreen 5%
Multiscreen 10%
Newlifescreen

Nox
Versascreen 1%
Versascreen 2%
Versascreen 5%
Versascreen 10%
Moon
Reflex
Safescreen

Width Drop	350cm	375cm	400cm	425cm	450cm	475cm	500cm	525cm	550cm	575cm	600cm	625cm	650cm	680cm	Width Drop
50cm	1141.19	1189.71	1238.34	1286.90	1335.43	1383.99	1432.60	1481.10	1529.69	1578.23	1626.79	1675.36	1723.93	1782.23	50cm
100cm	1295.36	1354.88	1414.48	1474.08	1533.66	1593.18	1652.80	1712.35	1771.91	1831.42	1890.99	1950.61	2010.16	2081.62	100cm
150cm	1449.51	1520.07	1590.64	1661.26	1731.81	1802.32	1872.95	1943.57	2014.08	2084.70	2155.34	2225.85	2296.40	2381.06	150cm
200cm	1603.65	1685.02	1766.79	1848.40	1929.98	2011.61	2093.19	2174.82	2256.42	2337.95	2419.54	2501.08	2582.64	2680.50	200cm
250cm	1757.81	1850.42	1942.99	2035.53	2128.16	2220.80	2313.43	2406.07	2498.74	2591.19	2683.77	2776.32	2868.87	2979.91	250cm
300cm	1911.90	2015.56	2119.19	2222.69	2326.33	2430.00	2533.67	2637.33	2741.07	2844.42	2947.97	3051.18	3154.44	3267.18	300cm
350cm	2066.05	2180.69	2295.40	2409.81	2524.51	2639.19	2754.33	2868.56	2983.40	3097.69	3212.18	3326.44	3440.44	3554.44	350cm
400cm	2220.19	2345.81	2471.60	2596.83	2722.66	2848.38	2974.14	3099.83	3225.74	3350.93	3476.41	3601.18	3725.44	3849.44	400cm
450cm	2374.35	2510.94	2647.79	2783.96	2920.84	3057.60	3194.37	3331.07	3468.06	3604.18	3740.64	3876.44	4011.44	4146.44	450cm
500cm	2528.50	4200.18	2823.98	2971.09	3119.00	3266.80	3417.30	3562.32	3710.38	3857.42	4004.85	4151.44	4298.44	4444.44	500cm

Price Group 3R

Aluscreen Futura
Jumbotex
Newlifescreen Alu
Multicolour Dimout

Width Drop	350cm	375cm	400cm	425cm	450cm	475cm	500cm	525cm	550cm	575cm	600cm	625cm	650cm	680cm	Width Drop
50cm	1399.83	1466.82	1533.93	1600.97	1668.01	1735.00	1802.06	1869.09	1936.15	2003.12	2070.20	2137.28	2204.36	2271.44	50cm
100cm	1683.30	1770.59	1857.84	1945.14	2032.42	2119.64	2206.98	2294.24	2381.61	2468.81	2556.14	2643.44	2730.74	2818.04	100cm
150cm	1966.72	2074.27	2181.83	2289.34	2396.91	2504.38	2611.92	2719.48	2826.96	2934.52	3042.05	3149.54	3257.04	3364.54	150cm
200cm	2250.23	2378.01	2505.79	2633.58	2761.33	2889.12	3016.88	3144.64	3272.42	3400.23	3527.99	3655.74	3783.44	3911.14	200cm
250cm	2533.70	2681.71	2829.76	2977.75	3125.72	3273.81	3421.88	3569.85	3717.89	3865.91	4013.95	4161.94	4309.94	4457.94	250cm
300cm	2817.15	2985.41	3153.75	3321.94	3490.10	3658.54	3826.87	3995.01	4163.36	4331.59	4499.89	4668.14	4836.34	5004.54	300cm
350cm	3100.59	3289.11	3478.61	3666.17	3854.52	4043.22	4231.85	4420.20	4608.82	4797.30	4985.84	5174.34	5362.84	5551.34	350cm
400cm	3384.02	3592.79	3801.71	4010.24	4218.92	4427.94	4636.84	4845.37	5054.28	5262.97	5471.80	5680.64	5889.44	6098.24	400cm
450cm	3667.49	3896.47	4125.69	4354.51	4583.30	4812.65	5041.82	5270.56	5499.76	5728.66	5957.74	6186.44	6415.14	6643.84	450cm
500cm	3950.93	4200.18	4449.67	4698.76	4947.70	5197.37	5446.79	5695.91	5945.21	6194.34	6443.69	6692.44	6941.14	7189.84	500cm

Side-Guiding: Side-guide wires with accessories: Please add £243.78 per double system.

Installation Profile

Provides an alternative to fitting to the wall or ceiling, supplied made to measure in grey, black or white £37.67 per m add on. Other custom colours available, pricing as per Page 67.

Prices shown exclude VAT

Roller Blind Systems

SG 4940 / SG 4945

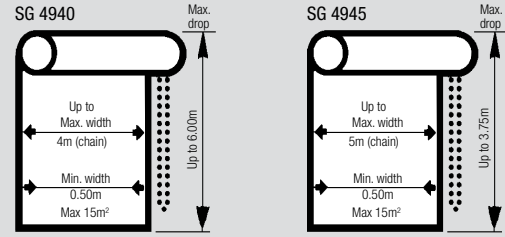
Heavy duty chain operated Roller Blind System.

SG 4940 Tube diameter of 80mm (up to 4m width)

SG 4945 Tube diameter of 110mm (up to 5m width)

Max. surface area 15m²

Max m² depends on fabric type.



SG 4940/4945 complete with fabric

The prices below comprise the complete system made-to-measure, ready to hang with fabric of your choice. Brackets, bracket covers, bottom bar and bottom bar end caps supplied as standard in either white, grey or black. Please be aware that due to the size capabilities of this system, larger sizes can only be achieved by welding the fabric. Fabrics that can be welded are indicated below in bold print. Please consult application chart (Page 51) to ensure that the fabric desired can be supplied in dimensions required.

Price Category C

Price Group 1R

Basicscreen 1%
Basicscreen 5%
Basicscreen 10%
Colorama 1
Colorama 1 Alu
Colorama 1 Bioactive
Colorama 1 Eco
Colorama 1 Multicolour
Colorama Acoustic
Colorama Acoustic Multicolour
Element
Puma

◀ Width Drop ▼	100cm	150cm	200cm	250cm	300cm	350cm	400cm	450cm	500cm	◀ Width Drop ▼
50cm	877.14	977.20	1077.30	1177.28	1277.41	1377.41	1548.00	1647.98	1748.06	50cm
100cm	903.03	1016.01	1129.10	1242.08	1355.08	1468.04	1651.62	1764.60	1877.63	100cm
150cm	928.94	1054.91	1180.85	1306.84	1432.77	1558.77	1755.24	1881.20	2007.12	150cm
200cm	954.82	1093.77	1232.70	1371.60	1510.45	1649.35	1858.90	1997.78	2136.69	200cm
250cm	980.84	1132.60	1284.47	1436.40	1588.18	1740.09	1962.46	2114.33	2266.22	250cm
300cm	1006.65	1171.42	1336.32	1501.13	1665.91	1830.75	2066.05	2230.85	2395.59	300cm
350cm	1032.58	1210.28	1388.11	1565.88	1743.67	1921.40	2169.70			350cm
400cm	1058.52	1249.19	1439.93	1630.67	1821.41	2012.12				400cm
450cm	1084.39	1288.06	1491.74	1695.41	1899.07					450cm
500cm	1110.30	1326.89	1543.47	1760.19	1976.81					500cm
550cm	1136.20	1365.78	1595.33	1824.90						550cm
600cm	1162.14	1404.61	1647.12	1889.67						600cm

Price Group 2R

Alutex
Atracor
Colorama 2
Colorama 2 Bioactive
Colorama 2 Eco
Colorama 2 Multicolour
Mercurio
Multi Visio
Multicolour Screen
Multishadow
Multiscreen 1%
Multiscreen 5%
Multiscreen 10%
Newlifescreeen
Nox

Versascreen 1%
Versascreen 2%
Versascreen 5%
Versascreen 10%
Moon
Reflex
Safescreen

◀ Width Drop ▼	100cm	150cm	200cm	250cm	300cm	350cm	400cm	450cm	500cm	◀ Width Drop ▼
50cm	910.02	1026.49	1143.02	1259.51	1376.02	1492.58	1679.54	1796.02	1912.52	50cm
100cm	952.32	1090.06	1227.71	1365.38	1503.05	1640.74	1848.94	1986.57	2124.27	100cm
150cm	994.73	1153.60	1312.41	1471.23	1630.09	1788.91	2018.32	2177.19	2336.05	150cm
200cm	1037.09	1217.09	1397.09	1577.17	1757.17	1937.20	2187.77	2367.76	2547.69	200cm
250cm	1079.41	1280.64	1481.82	1683.05	1884.17	2085.36	2357.18	2558.27	2759.46	250cm
300cm	1121.78	1344.15	1566.52	1788.83	2011.26	2233.57	2526.50	2748.84	2971.25	300cm
350cm	1164.13	1407.63	1651.16	1894.75	2138.29	2381.81	2695.88			350cm
400cm	1206.46	1471.17	1735.88	2000.62	2265.34	2530.05				400cm
450cm	1248.82	1534.65	1820.61	2106.49	2392.37					450cm
500cm	1291.15	1598.22	1905.34	2212.38	2519.43					500cm
550cm	1333.58	1661.76	1989.96	2318.23						550cm
600cm	1375.88	1725.30	2074.69	2424.08						600cm

Price Group 3R

Aluscreen Futura
Jumbotex
Newlifescreeen Alu
Multicolour Dimout

◀ Width Drop ▼	100cm	150cm	200cm	250cm	300cm	350cm	400cm	450cm	500cm	◀ Width Drop ▼
50cm	981.06	1133.14	1285.21	1437.19	1589.29	1741.27	1963.83	2115.90	2267.90	50cm
100cm	1058.92	1249.94	1440.95	1631.91	1822.87	2013.83	2275.39	2466.35	2657.29	100cm
150cm	1136.91	1366.78	1596.68	1826.61	2056.56	2286.53	2586.90	2816.80	3046.79	150cm
200cm	1214.76	1483.59	1752.51	2021.35	2290.18	2559.10	2898.47	3167.34	3436.18	200cm
250cm	1292.66	1600.44	1908.23	2216.10	2523.84	2831.66	3210.04	3517.80	3825.61	250cm
300cm	1370.52	1717.27	2064.04	2410.74	2757.54	3104.29	3521.50	3868.28	4215.09	300cm
350cm	1448.43	1834.11	2219.75	2605.52	2991.19	3376.86	3833.07			350cm
400cm	1526.26	1950.94	2375.60	2800.19	3224.86	3649.47				400cm
450cm	1604.21	2067.71	2531.32	2994.97	3458.49					450cm
500cm	1682.08	2184.60	2687.09	3189.62	3692.17					500cm
550cm	1759.95	2301.42	2842.91	3384.35						550cm
600cm	1837.82	2418.20	2998.60	3579.12						600cm

Side-Guiding of SG 4940/ SG 4945 Side-guide wires are available as an option. Please add £255.89 per system (Cat. 'C').

Prices shown exclude VAT



Roller Blind Systems

SG 4955

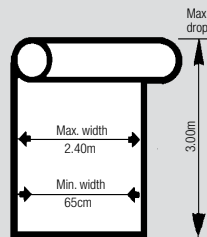
Rechargeable Battery Operated Roller Blind System

Speed Approx 6cm's/sec

Tube diameter 43mm

Maximum fabric and bottom bar weight 4kgs

Max surface area 7.2m² / max m² depend on fabric type



SG 4955 complete with fabric

The prices below comprise the complete system made-to-measure, ready to hang with fabric of your choice. Brackets, bracket covers, bottom bar and bottom bar endcaps supplied as standard in either white, grey or black. Motor is only available in white.

Please consult application chart (Page 51 of our main price list) to ensure that fabric desired can be supplied in dimensions required.

One 11951 charger will be supplied FOC with every five blinds ordered, for charger costs please refer to Page 26.

Price Category C

Price Group 1R

Basicscreen 1%
Basicscreen 5%
Basicscreen 10%
Colorama 1
Colorama 1 Alu
Colorama 1 Bioactive
Colorama 1 Eco
Colorama 1 Multicolour
Colorama Acoustic
Colorama Acoustic Multicolour
Element
Puma

Width ► Drop ▼	100cm	120cm	140cm	160cm	180cm	200cm	220cm	240cm	Width ► Drop ▼
60cm	922.96	937.34	951.70	966.07	980.42	996.49	1027.35	1043.43	60cm
80cm	930.24	946.08	961.93	977.79	993.58	1011.00	1043.43	1060.86	80cm
100cm	937.50	954.81	972.13	989.50	1006.72	1025.52	1059.52	1078.30	100cm
120cm	944.78	963.54	982.32	1001.22	1019.92	1040.04	1075.61	1095.72	120cm
140cm	952.01	972.25	992.56	1012.83	1033.10	1054.60	1091.67	1113.15	140cm
160cm	959.29	980.99	1002.76	1024.55	1046.26	1069.09	1107.73	1130.58	160cm
180cm	966.54	989.76	1013.02	1036.24	1059.39	1083.57	1123.80	1148.00	180cm
200cm	973.82	998.50	1023.22	1047.95	1072.55	1098.10	1139.86	1165.42	200cm
220cm	981.09	1007.24	1033.44	1059.67	1085.70	1112.61	1155.98	1182.86	220cm
240cm	988.31	1015.99	1043.62	1071.25	1098.94	1127.19	1172.01	1200.26	240cm
260cm	995.59	1024.76	1053.83	1082.95	1112.10	1141.71	1188.07	1217.68	260cm
280cm	1002.83	1033.45	1064.08	1094.62	1125.25	1156.26	1204.14	1235.12	280cm
300cm	1010.08	1042.20	1074.30	1106.35	1138.44	1170.77	1220.20	1252.55	300cm

Price Group 2R

Alutex
Atracor
Colorama 2
Colorama 2 Bioactive
Colorama 2 Eco
Colorama 2 Multicolour
Mercurio
Multi Visio
Multicolour Screen
Multishadow
Multiscreen 1%
Multiscreen 5%
Multiscreen 10%
Newlifescreeen
Nox

Versascreen 1%
Versascreen 2%
Versascreen 5%
Versascreen 10%
Moon
Reflex
Safescreen

Width ► Drop ▼	100cm	120cm	140cm	160cm	180cm	200cm	220cm	240cm	Width ► Drop ▼
60cm	946.00	965.04	984.07	1003.13	1022.18	1042.55	1078.36	1098.71	60cm
80cm	957.85	979.33	1000.77	1022.28	1043.70	1066.29	1104.62	1127.21	80cm
100cm	969.72	993.63	1017.46	1041.40	1065.24	1090.02	1130.88	1155.66	100cm
120cm	981.58	1007.93	1034.16	1060.51	1086.74	1113.75	1157.13	1184.13	120cm
140cm	993.49	1022.14	1050.89	1079.55	1108.27	1137.50	1183.40	1212.61	140cm
160cm	1005.32	1036.45	1067.57	1098.67	1129.79	1161.22	1209.67	1241.11	160cm
180cm	1017.20	1050.68	1084.21	1117.73	1151.31	1184.94	1235.93	1269.59	180cm
200cm	1029.07	1064.99	1100.93	1136.86	1172.80	1208.67	1262.17	1298.06	200cm
220cm	1040.93	1079.26	1117.60	1156.00	1194.33	1232.40	1288.44	1326.53	220cm
240cm	1052.80	1093.50	1134.31	1175.01	1215.81	1256.14	1314.72	1354.97	240cm
260cm	1064.66	1107.80	1151.03	1194.13	1237.34	1279.85	1340.96	1383.45	260cm
280cm	1076.49	1122.12	1167.65	1213.26	1258.88	1303.61	1367.22	1411.95	280cm
300cm	1088.37	1136.38	1184.34	1232.36	1280.38	1327.33	1393.48	1440.42	300cm

Price Group 3R

Aluscreen Futura
Jumbotex
Newlifescreeen Alu
Multicolour Dimout

Width ► Drop ▼	100cm	120cm	140cm	160cm	180cm	200cm	220cm	240cm	Width ► Drop ▼
60cm	995.77	1024.95	1054.13	1083.28	1112.47	1142.13	1188.54	1218.21	60cm
80cm	1017.61	1051.22	1084.81	1118.43	1152.03	1185.74	1236.84	1270.56	80cm
100cm	1039.45	1077.46	1115.50	1153.60	1191.60	1229.40	1285.13	1427.79	100cm
120cm	1061.25	1103.71	1146.16	1188.71	1231.19	1273.05	1333.43	1375.29	120cm
140cm	1083.02	1129.95	1176.91	1223.85	1270.70	1316.66	1381.71	1427.66	140cm
160cm	1104.87	1156.20	1207.59	1258.97	1310.28	1360.28	1430.03	1480.04	160cm
180cm	1126.68	1182.49	1238.34	1294.09	1349.88	1403.95	1478.30	1532.40	180cm
200cm	1148.51	1208.76	1269.00	1329.25	1389.42	1447.61	1526.62	1584.80	200cm
220cm	1170.33	1235.01	1299.72	1364.35	1429.01	1491.24	1574.91	1637.16	220cm
240cm	1192.15	1261.26	1330.41	1399.53	1468.54	1534.86	1623.19	1689.51	240cm
260cm	1213.97	1287.53	1361.09	1434.67	1508.15	1578.52	1671.49	1741.91	260cm
280cm	1235.82	1313.82	1391.86	1469.75	1547.76	1622.21	1719.82	1794.28	280cm
300cm	1257.65	1340.06	1422.55	1504.92	1587.32	1665.85	1768.11	1846.66	300cm

SG 4955 Control Options

The above system is compatible with the below controls, which need to be ordered separately:

11900 Move 4.0 Server Unit

11931 1 Channel Remote

11932 6 Channel Remote

11936 1 Channel Wall Switch

11937 6 Channel Wall Switch

Please see prices on Page 26

Installation Profile

Provides an alternative to fitting to the wall or ceiling, supplied made to measure in silver, grey, black or white £37.67 per m add on.

Other custom colours available, pricing as per Page 67.

Prices shown exclude VAT

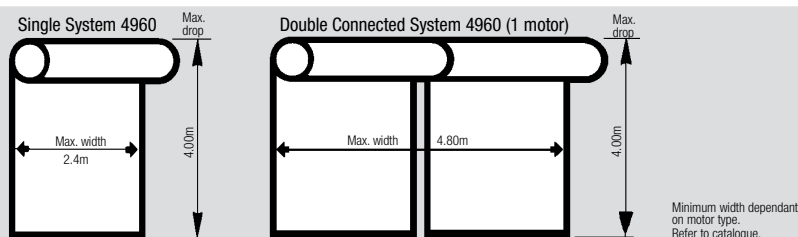


Roller Blind Systems

SG 4960

Electric roller blind system.
Mains voltage.
Tube diameter 43mm
Speed: 12cm/sec. approx.

*Max surface area Single system: 9.6m²
Double system: 19.2m²
Max M² depends on fabric type



SG 4960 complete with fabric

The prices below comprise the complete system made-to-measure, including series 20 mains switched motor (alternative motors see below). Ready to hang with fabric of your choice. Brackets, bracket covers, bottom bar and bottom bar endcaps supplied as standard in either white, grey or black. System sizes in shaded areas available as side-by-side systems only. Please consult application chart (Page 51) to ensure that fabric desired can be supplied in dimensions required.

Price Category C

Price Group 1R

Basicscreen 1% Element
Basicscreen 5% Puma
Basicscreen 10%
Colorama 1
Colorama 1 Alu
Colorama 1 Bioactive
Colorama 1 Eco
Colorama 1 Multicolour
Colorama Acoustic
Colorama Acoustic Multicolour

Width ▶ ▼Drop	100cm	125cm	150cm	175cm	200cm	225cm	240cm	250cm	275cm	300cm	325cm	350cm	375cm	400cm	425cm	450cm	460cm	480cm
50cm	1081.55	1102.12	1122.70	1143.23	1163.80	1184.36	1217.32	1246.22	1266.74	1287.24	1307.85	1328.40	1348.27	1368.08	1387.93	1410.96	1419.52	1436.64
100cm	1102.95	1128.83	1154.71	1180.70	1206.49	1232.32	1268.57	1299.59	1325.49	1351.33	1377.24	1403.11	1429.07	1454.91	1480.83	1506.77	1517.10	1537.85
150cm	1124.28	1155.48	1186.75	1218.03	1249.25	1280.44	1319.83	1352.98	1384.14	1415.37	1446.60	1477.84	1509.11	1540.38	1571.56	1602.86	1615.29	1640.21
200cm	1145.67	1182.22	1218.84	1255.43	1291.89	1328.38	1371.07	1406.37	1442.87	1479.47	1516.03	1552.59	1589.23	1625.72	1662.32	1698.87	1713.49	1742.70
250cm	1167.02	1208.95	1250.81	1292.72	1334.62	1376.57	1422.30	1459.73	1501.60	1543.46	1585.38	1627.29	1669.23	1711.15	1753.06	1794.89	1811.72	1845.27
300cm	1188.32	1235.61	1282.93	1330.11	1377.38	1424.60	1473.58	1513.13	1560.36	1607.61	1654.85	1702.04	1749.33	1796.56	1843.83	1890.90	1909.93	1947.78
350cm	1209.70	1262.32	1314.87	1367.45	1419.98	1472.56	1524.84	1566.49	1619.13	1671.68	1724.27	1776.78	1829.40	1882.01	1934.59	1986.92	2008.14	2050.30
400cm	1231.07	1288.96	1346.85	1404.80	1462.66	1520.53	1576.12	1619.85	1677.91	1731.91	1785.75	1851.51	1909.50	1967.45	2025.34	2082.94	2106.36	2152.83

Price Group 2R

Alutex Newlifescreeen
Atracor Nox
Colorama 2 Versascreen 1%
Colorama 2 Bioactive Versascreen 2%
Colorama 2 Eco Versascreen 5%
Colorama 2 Multicolour Versascreen 10%
Mercurio Moon
Multi Visio Reflex
Multicolour Screen Safescreen
Multishadow
Multiscreen 1%
Multiscreen 5%
Multiscreen 10%

Width ▶ ▼Drop	100cm	125cm	150cm	175cm	200cm	225cm	240cm	250cm	275cm	300cm	325cm	350cm	375cm	400cm	425cm	450cm	460cm	480cm
50cm	1105.96	1132.60	1159.23	1185.89	1212.56	1240.08	1275.85	1307.07	1333.72	1360.37	1387.05	1413.72	1440.38	1467.00	1493.66	1520.32	1531.00	1552.33
100cm	1140.84	1176.28	1211.62	1247.04	1282.36	1317.67	1359.60	1394.42	1429.74	1465.09	1500.48	1535.86	1571.24	1606.60	1642.03	1677.36	1691.52	1719.88
150cm	1175.78	1219.87	1263.99	1308.07	1352.15	1396.27	1443.38	1481.66	1525.72	1569.84	1613.90	1658.02	1702.09	1746.18	1790.27	1834.37	1852.03	1887.34
200cm	1210.67	1263.49	1316.28	1369.13	1421.98	1474.86	1527.12	1568.89	1621.66	1674.45	1727.33	1780.14	1832.98	1885.80	1938.38	1991.45	2012.59	2054.87
250cm	1245.59	1307.07	1368.65	1430.16	1491.75	1553.34	1610.86	1666.10	1717.67	1779.19	1840.76	1902.33	1963.86	2025.36	2086.87	2148.55	2173.08	2222.19
300cm	1280.42	1350.74	1420.95	1491.24	1561.57	1631.85	1694.60	1743.36	1813.64	1883.86	1954.18	2024.41	2094.69	2165.05	2235.19	2305.64	2333.62	2389.65
350cm	1315.37	1394.42	1473.35	1552.34	1631.31	1710.29	1778.34	1830.57	1909.63	1988.61	2067.57	2146.55	2225.54	2304.56	2383.52	2462.73	2494.15	2557.08
400cm	1350.28	1438.07	1525.77	1614.11	1701.10	1788.76	1862.09	1917.81	2005.64	2093.39	2181.01	2268.68	2356.41	2444.11	2531.90	2619.92	2654.67	2724.51

Price Group 3R

Aluscreen Futura
Jumbotex
Newlifescreeen Alu
Multicolour Dimout

Width ▶ ▼Drop	100cm	125cm	150cm	175cm	200cm	225cm	240cm	250cm	275cm	300cm	325cm	350cm	375cm	400cm	425cm	450cm	460cm	480cm
50cm	1158.65	1198.53	1238.36	1278.12	1317.99	1357.86	1402.38	1438.91	1478.73	1518.59	1558.40	1598.21	1638.00	1677.85	1717.67	1757.53	1773.47	1805.40
100cm	1222.85	1278.70	1334.57	1390.50	1446.35	1502.22	1556.39	1599.37	1655.27	1711.08	1767.03	1822.87	1878.77	1934.59	1990.48	2046.36	2068.68	2113.29
150cm	1287.01	1358.90	1430.88	1502.82	1574.68	1646.55	1710.41	1759.84	1831.76	1903.69	1975.54	2047.49	2119.43	2191.36	2263.29	2335.17	2363.93	2421.41
200cm	1351.08	1439.18	1527.17	1615.12	1703.06	1791.04	1864.46	1920.24	2008.25	2096.20	2184.17	2272.13	2360.08	2448.05	2536.02	2623.99	2659.19	2729.59
250cm	1415.37	1519.40	1623.46	1727.46	1831.39	1935.32	2018.49	2080.71	2184.69	2288.72	2392.74	2496.74	2600.75	2704.77	2808.79	2912.79	2954.47	3037.76
300cm	1479.58	1599.64	1719.78	1839.77	1959.83	2079.87	2172.51	2241.19	2361.22	2481.30	2601.38	2721.35	2841.44	2961.45	3080.79	3201.60	3249.74	3345.94
350cm	1543.81	1679.87	1815.93	1952.06	2088.18	2224.35	2326.55	2401.62	2537.68	2673.81	2809.91	2946.08	3082.07	3218.22	3354.31	3490.40	3545.01	3654.11
400cm	1607.98	1760.12	1912.12	2064.31	2216.53	2368.78	2480.61	2562.05	2714.08	2866.31	3018.43	3170.79	3322.76	3475.02	3627.82	3779.21	3840.28	3962.29

SG 4960 Control Options

Series 25 motors – Mains Switch Motor add on £123.60 per system, see Page 26. (Series 25 motors are only available in white)

Series 40 motors – With integrated radio receiver for operation with SG wireless Control N – add on £262.53 per system, see Page 26.

NOTE: 24v Series 40 Motors are not supplied with power supplies (transformers) as standard. They must be ordered separately, see Page 26.

Series 50 SMART by Silent Gliss motors – for use with Silent Gliss Gateway and associated components – add on £262.53 per system, see Page 26.

Note: If a double connected system is required below 2.30m (e.g. for fabric reasons) please add £55.93 to single system price.

For side guided option (with white, grey or black accessories) add £87.78 per system. For double systems add £175.55

Installation Profile

Provides an alternative to fitting to the wall or ceiling, supplied made to measure in silver, black, grey or white £37.67 per m add on. Other custom colours available, pricing as per Page 67.

4960 LV 24V DC – LV1/LV2/LV3 (optional) – supplement £240.24.

Prices shown exclude VAT



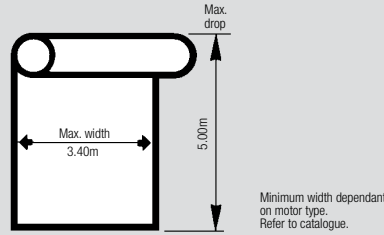
Roller Blind Systems

SG 4970

Heavy duty electrically operated Roller Blind system. Mains voltage. Speed approx. 7cm/sec. Tube diameter 60mm.

*Max. surface area 17m²

*Max. m² depends on fabric type.



SG 4970 complete with fabric

The prices below comprise the complete system made-to-measure, including series 20 mains switched motor (alternative motors see below). Ready to hang with fabric of your choice. Brackets, bracket covers, bottom bar and bottom bar endcaps supplied as standard in either white, grey or black. Please be aware that due to the size capabilities of this system, larger sizes can only be achieved by welding the fabric. Fabrics that can be welded are indicated below in bold print. Please consult application chart (Page 51) to ensure that fabric desired can be supplied in dimensions required.

Price Category C

Price Group 1R

Basicscreen 1%
Basicscreen 5%
Basicscreen 10%
Colorama 1
Colorama 1 Alu
Colorama 1 Bioactive
Colorama 1 Eco
Colorama 1 Multicolour
Colorama Acoustic
Colorama Acoustic Multicolour
Element
Puma

Width Drop	100cm	125cm	150cm	175cm	200cm	225cm	250cm	275cm	300cm	325cm	340cm	Width Drop
50cm	1507.51	1538.27	1569.05	1599.84	1630.58	1661.31	1692.10	1722.88	1753.62	1784.39	1802.85	50cm
100cm	1534.23	1571.60	1609.07	1646.52	1683.95	1721.35	1758.79	1796.21	1833.62	1871.04	1893.48	100cm
150cm	1560.90	1605.00	1649.08	1693.19	1737.27	1781.34	1825.41	1869.53	1913.64	1957.73	1984.19	150cm
200cm	1587.55	1638.29	1689.04	1739.83	1790.60	1841.35	1892.09	1942.85	1993.66	2044.41	2074.86	200cm
250cm	1614.23	1671.67	1729.07	1786.50	1843.94	1901.30	1958.77	2016.25	2073.65	2131.05	2165.50	250cm
300cm	1640.89	1704.96	1769.10	1833.14	1897.25	1961.40	2025.48	2089.56	2153.65	2217.77	2256.23	300cm
350cm	1667.58	1738.31	1809.10	1879.86	1950.62	2021.35	2092.07	2162.91	2233.61	2304.38	2346.86	350cm
400cm	1694.21	1771.67	1849.07	1926.54	2003.95	2081.36	2158.82	2236.23	2313.64	2391.06	2437.52	400cm
450cm	1720.90	1804.94	1889.11	1973.17	2057.30	2141.35	2225.49	2309.58	2393.68	2477.76	2528.21	450cm
500cm	1747.53	1838.29	1929.10	2019.84	2110.59	2201.38	2292.18	2382.85	2473.72	2564.44	2618.89	500cm

Price Group 2R

Alutex
Atracor
Colorama 2
Colorama 2 Bioactive
Colorama 2 Eco
Colorama 2 Multicolour
Mercurio
Multi Visio
Multicolour Screen
Multishadow
Multiscreen 1%
Multiscreen 5%
Multiscreen 10%
Newlifescreen
Nox
Versascreen 1%
Versascreen 2%
Versascreen 5%
Versascreen 10%
Moon
Reflex
Safescreen

Width Drop	100cm	125cm	150cm	175cm	200cm	225cm	250cm	275cm	300cm	325cm	340cm	Width Drop
50cm	1524.51	1559.45	1594.48	1629.47	1664.50	1699.46	1734.47	1769.45	1804.49	1839.47	1860.54	50cm
100cm	1568.12	1614.03	1659.90	1705.79	1751.76	1797.61	1843.52	1889.39	1935.31	1981.25	2008.81	100cm
150cm	1611.75	1668.54	1725.35	1782.15	1838.95	1895.74	1952.55	2009.39	2066.20	2122.96	2157.05	150cm
200cm	1655.35	1723.09	1790.78	1858.48	1926.18	1993.86	2061.62	2129.30	2197.05	2264.72	2305.35	200cm
250cm	1698.94	1777.58	1856.19	1934.82	2013.45	2092.02	2170.64	2249.23	2327.85	2406.47	2453.62	250cm
300cm	1742.56	1832.11	1921.62	2011.18	2100.63	2190.18	2279.69	2369.24	2458.76	2548.26	2601.96	300cm
350cm	1786.20	1886.58	1987.05	2087.47	2209.74	2288.33	2388.77	2489.16	2589.65	2690.02	2750.28	350cm
400cm	1829.84	1941.14	2052.52	2163.79	2275.16	2386.48	2497.80	2609.12	2720.42	2831.76	2898.56	400cm
450cm	1873.47	1995.65	2117.90	2240.16	2362.37	2484.60	2606.88	2729.07	2851.33	2973.47	3046.76	450cm
500cm	1916.99	2050.24	2183.34	2316.51	2449.61	2582.71	2715.87	2849.07	2982.26	3115.19	3194.94	500cm

Price Group 3R

Aluscreen Futura
Jumbotex
Newlifescreen Alu
Multicolour Dimout

Width Drop	100cm	125cm	150cm	175cm	200cm	225cm	250cm	275cm	300cm	325cm	340cm	Width Drop
50cm	1561.12	1605.18	1649.33	1693.55	1737.65	1781.83	1825.92	1870.05	1914.29			50cm
100cm	1641.28	1705.50	1769.70	1833.89	1898.10	1962.30	2026.47	2090.67	2154.89			100cm
150cm	1721.53	1805.77	1890.03	1974.24	2058.48	2142.82	2227.04	2311.22	2395.55			150cm
200cm	1801.70	1906.04	2010.31	2114.65	2218.95	2323.21	2427.55	2531.86	2636.14			200cm
250cm	1881.95	2006.31	2130.63	2255.00	2379.37	2503.71	2628.08	2752.46	2876.83			250cm
300cm	1962.14	2106.54	2250.97	2395.38	2539.79	2684.20	2828.62	2972.96	3117.39			300cm
350cm	2042.37	2206.79	2371.28	2535.71	2700.23	2864.67	3029.13	3193.57	3358.06			350cm
400cm	2122.55	2307.06	2491.59	2676.08	2860.66	3045.15	3229.69	3414.19	3598.71			400cm
450cm	2202.80	2407.31	2611.92	2816.46	3021.07	3225.63	3430.19	3634.75	3839.36			450cm
500cm	2282.95	2507.60	2732.27	2956.81	3181.51	3406.06	3630.71	3855.35	4079.99			500cm

SG 4970 Control Options

Series 25 motors – Mains Switch Motor add on £123.60 per system, see Page 26. (Series 25 motors are only available in white)

Series 40 motors – With integrated radio receiver for operation with SG wireless Control N – add on £262.53 per system, see Page 26.

NOTE: 24v Series 40 Motors are not supplied with power supplies (transformers) as standard. They must be ordered separately.

Series 50 SMART by Silent Gliss motors – for use with Silent Gliss Gateway and associated components – add on £262.53 per system, see Page 26.

Side-Guiding: Side-guide wires with accessories: Please add £121.89 per system.

Installation Profile

Provides an alternative to fitting to the wall or ceiling, supplied made to measure in grey, black or white £37.67 per m add on. Other custom colours available, pricing as per Page 67.



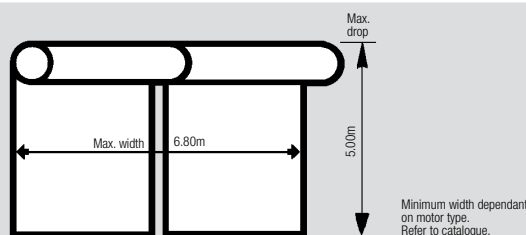
Roller Blind Systems

SG 4970 – Double Connected System

Heavy duty electrically operated Roller Blind system. Mains voltage. Speed approx. 7cm/sec. Tube diameter 60mm.

Max. surface area 34m²(17m²for each panel of side by side system)

*Max. m²depends on fabric type.



SG 4970 – Double Connected System

The prices below comprise the complete system made-to-measure, including series 20 mains switched motor (alternative motors see below). Ready to hang with fabric of your choice. Brackets, bracket covers, bottom bar and bottom bar endcaps supplied as standard in either white, grey or black. Please be aware that due to the size capabilities of this system, larger sizes can only be achieved by welding the fabric. Fabrics that can be welded are indicated below in bold print. If a system is required as a double system smaller than widths indicated below, please add £115.22 to single system price. Please consult application chart (Page 51) to ensure that fabric desired can be supplied in dimensions required.

Price Category C

Price Group 1R

Basicscreen 1%
Basicscreen 5%
Basicscreen 10%
Colorama 1
Colorama 1 Alu
Colorama 1 Bioactive
Colorama 1 Eco
Colorama 1 Multicolour
Colorama Acoustic
Colorama Acoustic Multicolour
Element
Puma

Width Drop	350cm	375cm	400cm	425cm	450cm	475cm	500cm	525cm	550cm	575cm	600cm	625cm	650cm	680cm	Width Drop
50cm	1965.93	1996.72	2027.52	2058.29	2089.05	2119.76	2150.54	2181.32	2212.04	2242.81	2273.57	2304.33	2335.09	2372.03	50cm
100cm	2059.29	2096.73	2134.17	2171.62	2209.02	2246.46	2283.91	2321.31	2358.74	2396.17	2433.58	2471.02	2508.43	2553.33	100cm
150cm	2152.63	2196.70	2240.82	2284.92	2329.02	2373.10	2417.21	2461.30	2505.39	2549.43	2593.61	2637.72	2681.79	2734.62	150cm
200cm	2246.03	2296.77	2347.52	2398.29	2449.02	2499.76	2550.54	2601.34	2652.10	2702.88	2753.58	2804.31	2855.10	2916.03	200cm
250cm	2339.33	2396.79	2454.19	2511.61	2569.05	2626.44	2683.89	2741.39	2798.75	2856.19	2913.58	2971.06	3028.44	3097.31	250cm
300cm	2432.67	2496.76	2560.91	2624.96	2689.04	2753.15	2817.25	2881.33	2945.39	3009.51	3073.61	3137.69	3201.77	3278.29	300cm
350cm	2526.03	2596.76	2667.55	2738.31	2809.07	2879.75	2950.61	3021.29	3092.11	3162.86	3233.64	3304.38	3375.09	3459.92	350cm
400cm	2619.33	2696.77	2774.24	2851.53	2929.05	3006.50	3083.92	3161.34	3238.76	3316.23	3393.65	3470.82	3548.42	3641.55	400cm
450cm	2712.67	2796.78	2880.90	2965.01	3049.11	3133.20	3217.27	3301.38	3385.40	3469.60	3553.92	3637.25	3721.76	3823.16	450cm
500cm	2805.99	2896.81	2987.56	3078.32	3169.06	3259.91	3350.61	3441.43	3532.07	3622.96	3713.63	3803.68	3895.10	4004.78	500cm

Price Group 2R

Alutex
Atracor
Colorama 2
Colorama 2 Bioactive
Colorama 2 Eco
Colorama 2 Multicolour
Mercurio
Multi Visio
Multicolour Screen
Multishadow
Multiscreen 1%
Multiscreen 5%
Multiscreen 10%
Newlifescreen
Nox
Versascreen 1%
Versascreen 2%
Versascreen 5%
Versascreen 10%
Moon
Reflex
Safescreen

Width Drop	350cm	375cm	400cm	425cm	450cm	475cm	500cm	525cm	550cm	575cm	600cm	625cm	650cm	680cm	Width Drop
50cm	2025.29	2060.25	2095.27	2130.31	2165.28	2200.28	2235.21	2270.30	2305.27	2340.27	2375.24	2410.26	2445.29	2487.34	50cm
100cm	2177.95	2223.87	2270.28	2315.66	2361.57	2407.46	2453.37	2499.26	2545.18	2591.05	2637.00	2682.86	2728.76	2783.83	100cm
150cm	2330.63	2387.43	2444.24	2501.03	2557.85	2614.67	2671.46	2728.23	2785.03	2841.82	2898.66	2955.45	3012.29	3080.52	150cm
200cm	2483.30	2551.00	2618.73	2686.40	2754.09	2821.87	2889.58	2957.26	3024.99	3092.68	3160.38	3228.16	3295.81	3377.03	200cm
250cm	2635.96	2714.59	2793.20	2871.79	2950.40	3029.08	3107.62	3186.24	3264.84	3343.50	3422.10	3500.73	3579.33	3673.66	250cm
300cm	2788.60	2878.13	2967.64	3057.17	3146.67	3236.26	3325.74	3415.25	3504.81	3594.29	3683.82	3773.33	3862.87	3970.28	300cm
350cm	2941.30	3041.66	3142.18	3242.56	3343.02	3443.41	3543.82	3644.26	3744.62	3845.09	3945.50	4045.92	4146.40	4266.95	350cm
400cm	3093.93	3205.32	3316.58	3427.92	3539.29	3650.61	3761.90	3873.34	3984.56	4095.93	4207.18	4318.49	4429.93	4563.62	400cm
450cm	3246.60	3368.84	3491.09	3613.30	3735.55	3857.77	3980.00	4102.24	3385.40	4346.76	4468.83	4591.08	4713.43	450cm	
500cm	3399.26	3532.44	3665.61	3798.68	3931.83	4064.91	4198.10	4331.19	3532.07	4597.60	4730.49	4863.65	500cm		

Price Group 3R

Aluscreen Futura
Jumbotex
Newlifescreen Alu
Multicolour Dimout

Width Drop	350cm	375cm	400cm	425cm	450cm	475cm	500cm	525cm	550cm	575cm	600cm	625cm	650cm	680cm	Width Drop
50cm	2153.36	2197.46	2241.67	2285.84	2329.97	2374.09	2418.20	2462.30	2506.43	2550.57	2594.73	2638.89	2683.06	2727.24	50cm
100cm	2434.11	2498.31	2562.51	2626.69	2690.94	2755.13	2819.32	2883.51	2947.70	3011.91	3076.13	3140.34	3204.56	3268.78	100cm
150cm	2714.84	2798.63	2883.38	2967.62	3051.89	3136.08	3220.25	3304.58	3388.85	3473.10	3557.35	3641.60	3725.85	3810.10	150cm
200cm	2995.60	3099.89	3204.21	3308.51	3412.78	3517.10	3621.43	3725.67	3830.00	3934.33	4038.66	4142.99	4247.32	4351.65	200cm
250cm	3276.32	3400.67	3525.06	3649.38	3773.73	3898.14	4022.43	4146.82	4271.20	4395.58	4519.90	4644.22	4768.54	4892.86	250cm
300cm	3557.09	3701.45	3845.90	3990.32	4134.74	4279.15	4423.56	4567.91	4712.36	4856.74	5001.10	5145.52	5289.94	5434.36	300cm
350cm	3837.87	4002.28	4166.76	4331.20	4495.66	4660.10	4824.58	4989.08	5153.50	5318.00	5482.45	5646.90	5811.35	5975.80	350cm
400cm	4118.56	4303.08	4487.59	4672.10	4856.56	5041.10	5225.65	5410.18	5594.70	5779.20	5963.80	6148.30	6332.80	6517.30	400cm
450cm	4399.29	4603.81	4808.44	5013.02	5217.56	5422.13	5626.68	5831.20	6035.88	6240.40	6444.90	6649.40	6853.90	7058.40	450cm
500cm	4679.97	4904.71	5129.32	5353.93	5578.52	5803.14	6027.69	6252.24	6476.80	6701.35	6925.90	7150.45	7375.00	7600.00	500cm

SG 4970 Double Connected System Control Options.

Series 25 motors – Mains Switch Motor add dd on £123.60 per system, see Page 26 (series 25 motors are only available in white).

Series 40 motors – With integrated radio receiver for operation with SG wireless Control N – add on £262.53 per system, see Page 26.

NOTE: 24v Series 40 Motors are not supplied with power supplies (transformers) as standard. They must be ordered separately, see Page 26.

Series 50 SMART by Silent Gliss motors – for use with Silent Gliss Gateway and associated components – add on £262.53 per system, see Page 26.

Side-Guiding: Side-guide wires with accessories: Please add £243.78 per side-by-side system.

Installation Profile

Provides an alternative to fitting to the wall or ceiling, supplied made to measure in grey, black or white £37.67 per m add on. Other custom colours available, pricing as per Page 67.



Roller Blind Systems

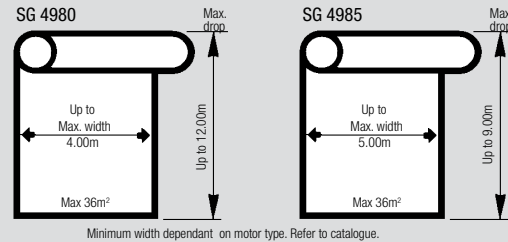
SG 4980 / SG 4985

Heavy duty electrically operated Roller Blind System

SG 4980 Tube diameter of 80mm (up to 4m width)
Speed 8cm/Sec approx.

SG 4985 Tube diameter of 110mm (up to 5m width)
Speed 9cm/Sec approx.

Max. surface area 36m²/Max m² depends on fabric type



SG 4980/ SG 4985 complete with fabric

The prices below comprise the complete system made-to-measure, including series 25 mains switched motor in white (alternative motors see below). Ready to hang with fabric of your choice brackets, bottom bar and endcaps supplied as standard in either white, grey or black. Please be aware that due to the size capabilities of this system, larger sizes can only be achieved by welding the fabric. Fabrics that can be welded are indicated over in bold print. Please consult application chart (Page 51) to ensure that fabric desired can be supplied in dimensions required.

Price Group 1R

Price Category 'C'

Width ▶ Drop ▼	100cm	150cm	200cm	250cm	300cm	350cm	400cm	450cm	500cm	◀ Width ▼ Drop
50cm	1739.98	1840.02	1940.14	2040.18	2140.25	2240.29	2340.35	2440.36	2540.47	50cm
100cm	1765.94	1878.94	1991.97	2104.92	2217.92	2330.98	2443.97	2557.00	2669.98	100cm
150cm	1791.82	1917.79	2043.73	2169.68	2295.69	2421.60	2547.59	2673.55	2799.51	150cm
200cm	1817.71	1956.62	2095.56	2234.46	2373.42	2512.27	2651.24	2790.08	2929.03	200cm
250cm	1843.63	1995.50	2147.36	2299.22	2451.09	2602.96	2754.82	2906.67	3058.55	250cm
300cm	1869.53	2034.36	2199.23	2363.99	2528.79	2683.61	2858.46	3023.31	3188.05	300cm
350cm	1895.45	2073.19	2250.98	2428.76	2606.53	2784.25	2962.05	3139.82	3317.59	350cm
400cm	1921.33	2112.07	2302.81	2493.49	2684.29	2874.99	3065.70	3256.44	3447.16	400cm
450cm	1947.25	2150.90	2354.58	2558.27	2761.96	2963.63	3169.33	3372.96	3576.65	450cm
500cm	1973.16	2189.80	2406.39	2623.06	2839.68	3056.31	3272.89	3489.62	3706.17	500cm
550cm	1999.10	2228.64	2458.20	2687.76	2917.41	3146.95	3376.54	3606.14	3835.70	550cm
600cm	2024.98	2267.51	2510.01	2752.54	2995.09	3237.62	3480.16	3722.68	3965.21	600cm
650cm	2050.92	2306.35	2561.75	2817.33	3072.81	3328.29	3583.77	3839.26	4094.72	650cm
700cm	2076.82	2345.23	2613.60	2882.06	3150.56	3418.97	3687.41	3955.83	4224.24	700cm
750cm	2102.73	2384.07	2665.42	2946.83	3228.28	3509.65	3791.03	4072.41		750cm
800cm	2128.64	2422.91	2717.25	3011.62	3305.95	3600.30	3894.64	4188.97		800cm
850cm	2154.50	2461.84	2769.04	3076.33	3383.69	3690.96	3998.19			850cm
900cm	2180.43	2500.65	2820.87	3141.11	3461.42	3781.62	4101.80			900cm
950cm	2206.30	2539.50	2872.66	3205.88	3539.11	3872.33				950cm
1000cm	2232.15	2578.41	2924.53	3270.69	3616.87	3962.91				1000cm
1050cm	2258.11	2617.23	2976.30	3335.43	3694.61					1050cm
1100cm	2284.01	2656.09	3028.13	3400.23	3772.29					1100cm
1150cm	2309.94	2694.95	3079.94	3464.94	3849.95					1150cm
1200cm	2335.78	2733.77	3131.80	3529.73	3927.66					1200cm

Price Group 2R

Width ▶ Drop ▼	100cm	150cm	200cm	250cm	300cm	350cm	400cm	450cm	500cm	◀ Width ▼ Drop
50cm	1772.92	1889.39	2005.85	2122.45	2238.95	2355.40	2471.86	2588.43	2704.85	50cm
100cm	1815.23	1952.92	2090.59	2228.31	2365.95	2503.64	2641.26	2778.99	2916.65	100cm
150cm	1857.58	2016.47	2175.25	2334.12	2492.96	2651.84	2810.68	2969.54	3128.38	150cm
200cm	1899.91	2079.98	2259.96	2440.02	2619.99	2800.09	2980.08	3160.11	3340.09	200cm
250cm	1942.28	2143.46	2344.68	2545.88	2747.10	2948.30	3149.48	3350.71	3551.85	250cm
300cm	1984.66	2207.01	2429.37	2651.75	2874.12	3096.48	3318.82	3541.25	3763.62	300cm
350cm	2027.01	2270.52	2514.02	2757.61	3001.18	3244.74	3488.25	3731.80	3975.38	350cm
400cm	2069.31	2334.01	2598.77	2863.46	3128.19	3392.94	3657.61	3922.39	4187.08	400cm
450cm	2111.70	2397.61	2683.47	2969.39	3255.28	3541.17	3827.04	4112.90	4398.80	450cm
500cm	2154.02	2461.13	2768.21	3075.25	3382.26	3689.34	3996.43	4303.53	4610.57	500cm
550cm	2196.37	2524.64	2852.84	3181.06	3509.37	3837.58	4165.85	4494.07	4822.33	550cm
600cm	2238.73	2588.14	2937.55	3286.99	3636.37	3985.78	4335.19	4684.63	5034.06	600cm
650cm	2281.05	2651.65	3022.23	3392.82	3763.47	4133.95	4504.62	4875.19	5245.80	650cm
700cm	2323.41	2715.22	3106.91	3498.69	3890.44	4282.19	4673.99	5065.77	5457.54	700cm
750cm	2365.76	2778.69	3191.63	3604.53	4017.55	4430.43	4843.41	5256.31		750cm
800cm	2408.10	2842.25	3276.32	3710.43	4144.56	4578.69	5012.74	5446.89		800cm
850cm	2450.52	2905.74	3360.99	3816.34	4271.56	4726.91	5182.21			850cm
900cm	2492.81	2969.25	3445.69	3922.20	4398.65	4875.11	5351.58			900cm
950cm	2535.16	3032.75	3530.41	4028.04	4525.71	5023.36				950cm
1000cm	2577.51	3096.32	3615.15	4133.91	4652.73	5171.57				1000cm
1050cm	2619.86	3159.85	3699.84	4239.81	4779.83					1050cm
1100cm	2662.20	3223.40	3784.53	4345.73	4906.79					1100cm
1150cm	2704.59	3286.87	3869.23	4451.55	5033.88					1150cm
1200cm	2746.90	3350.40	3953.93	4557.42	5160.93					1200cm

Price Group 3R

Width ▶ Drop ▼	100cm	150cm	200cm	250cm	300cm	350cm	400cm	450cm	500cm	◀ Width ▼ Drop
50cm	1844.00	1996.03	2148.04	2300.12	2452.14	2604.17	2756.20	2908.23	3060.25	50cm
100cm	1921.87	2112.84	2303.85	2494.76	2685.77	2876.82	3067.73	3258.72	3449.71	100cm
150cm	1999.76	2229.68	2459.56	2689.52	2919.45	3149.39	3379.24	3609.20	3839.09	150cm
200cm	2077.64	2346.52	2615.32	2884.23	3153.07	3421.95	3690.86	3959.64	4228.54	200cm
250cm	2155.50	2463.33	2771.10	3078.92	3386.74	3694.61	4002.35	4310.22	4617.91	250cm
300cm	2233.40	2580.21	2926.90	3273.68	3620.42	3967.15	4313.91	4660.68	5007.39	300cm
350cm	2311.22	2696.97	3082.63	3468.35	3854.05	4239.78	4625.43	5011.13	5396.79	350cm
400cm	2389.17	2813.82	3238.48	3663.09	4067.69	4512.35	4936.98	5361.60	5786.21	400cm
450cm	2467.06	2930.63	3394.23	3857.78	4321.33	4784.98	5248.55	5712.12	6175.68	450cm
500cm	2544.94	3047.47	3549.98	4052.55	4555.00	5057.55	5560.10	6062.61	6565.12	500cm
550cm	2622.81	3164.27	3705.73	4247.18	4788.75	5330.18	5871.54	6413.06	6954.51	550cm
600cm	2700.69	3281.13	3861.51	4441.94	5022.31	5602.74	6183.16	6763.59	7343.92	600cm
650cm	2778.61	3397.99	4017.31	4636.61	5256.03	5875.30	6494.64	7114.05	7733.33	650cm
700cm	2856.41	3514.76	4173.03	4831.33	5489.64	6147.97	6806.28	7464.48	8122.74	700cm
750cm	2934.38	3631.58	4328.82	5026.06	5723.34	6420.58	7117.79	7815.05		750cm
800cm	3012.26	3748.41	4484.61	5220.80	5956.99	6693.19	7429.33	8165.46		800cm
850cm	3090.15	3865.27	4640.41	5415.49	6190.66	6965.76	7740.87			850cm
900cm	3168.01	3982.13	4796.10	5610.15	6424.26	7238.36	8052.38			900cm
950cm	3245.91	4098.92	4951.93	5804.95	6657.93	7510.94				950cm
1000cm	3323.79	4215.74	5107.67	5999.62	6891.58	7783.53				1000cm
1050cm	3401.69	4332.60	5263.43	6194.33	7125.26					1050cm
1100cm	3479.57	4449.38	5419.21	6389.09	7358.89					1100cm
1150cm	3557.49	4566.22	5574.94	6583.74	7592.54					1150cm
1200cm	3635.30	4683.05	5730.73	6778.51	7826.22					1200cm

Side-Guiding of SG 4980/4985 Side-guide wires are available as an option. Please add £255.89 per system (Cat. 'C')

Prices shown exclude VAT

SG 4980 / SG 4985 Control options

Series 40 motors –With integrated radio receiver for operation with SG wireless Control N – add on £336.57 per system, see Page 26.

NOTE: 24v Series 40 Motors are not supplied with power supplies (transformers) as standard. They must be ordered separately, see Page 26.

Series 50 SMART by Silent Gliss motors – for use with Silent Gliss Gateway and associated components – add on £336.57 per system, see Page 26.

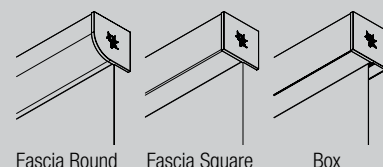


Roller Blind Systems

SG Roller Blind Box / Fascia

Supplied in white or black (Other RAL finishes available - see Page 67)

For use on systems 4910, 4955, 4960, 4930 and 4970



Optional side channels available for 4960/4970 systems with fascia round, square or box

Roller Blind Fascia: Round or Square for systems 4910 / 4955 / 4960											Small
Width	60cm	80cm	100cm	120cm	140cm	160cm	180cm	200cm	220cm	240cm	Price Cat
£	56.50	64.93	73.35	81.77	90.20	98.63	107.05	115.48	123.91	132.33	C

Roller Blind Fascia: Round or Square for systems 4910 / 4955 / 4960 / 4930 / 4970															Large	
Width	60cm	80cm	100cm	120cm	140cm	160cm	180cm	200cm	220cm	240cm	260cm	280cm	300cm	320cm	340cm	Price Cat
£	99.45	113.71	127.99	142.25	156.53	170.80	185.06	199.34	213.60	227.88	242.15	256.41	270.69	284.95	299.23	C

Roller Blind Box: For use with systems 4910 / 4955 / 4960											Small
Width	60cm	80cm	100cm	120cm	140cm	160cm	180cm	200cm	220cm	240cm	Price Cat
£	64.17	75.17	86.15	97.15	108.14	119.12	130.12	141.10	152.09	163.01	C

Roller Blind Box: For use with systems 4910 / 4955 / 4960 / 4930 / 4970															Large	
Width	60cm	80cm	100cm	120cm	140cm	160cm	180cm	200cm	220cm	240cm	260cm	280cm	300cm	320cm	340cm	Price Cat
£	115.04	134.56	154.08	173.60	193.11	212.63	232.16	251.67	271.19	290.71	310.22	329.75	349.27	368.78	388.30	C

Side channels for systems 4960 / 4970											
Drop	50cm	100cm	150cm	200cm	250cm	300cm	350cm	400cm	450cm	500cm	Price Cat
£	25.37	50.74	76.12	101.49	126.86	152.23	177.61	202.98	228.35	253.72	C

Additional Notes:

Cannot be used with side guides or with double systems, but multiple blinds with a single fascia cover possible (dependant on system limitations).

When using the small fascia or box fabric drops are restricted, please see technical pages for information.

When using Fascia/Box Small or Large with systems 4910/4955/4960, bottom bar SG11442 is supplied as standard.

When using Fascia/Box Large with systems 4930/4970 the standard bottom bar supplied will be SG10993.



Roller Blind Systems

Max System Height for Fascia/Box Small

(There are no drop restrictions for Fascia/Box Large)

Roller Blind Fabrics		Standard System without Box/Fascia		Standard System with S Box/Fascia	
		Max Height		Max Height	
Fabric	Thickness MM	4910/4955	4960	4910/4955	4960
Atracor	0.54	300	400	260	240
Colorama Acoustic	0.40	300	400	300	340
Colorama Acoustic Multicolor	0.40	300	400	300	340
Colorama 1	0.33	300	400	300	400
Colorama 1 Alu	0.40	300	400	300	340
Colorama 1 Bioactive	0.33	300	400	300	400
Colorama 1 Eco	0.33	300	400	300	400
Colorama 1 Multicolour	0.45	300	400	300	300
Reflex	0.36	300	400	300	400
Aluscreen Futura	0.45	300	400	300	300
Alutex	0.43	300	400	300	310
Colorama 2	0.52	300	400	280	260
Colorama 2 Bioactive	0.55	300	400	260	240
Colorama 2 Eco	0.52	300	400	280	260
Colorama 2 Multicolour	0.55	300	400	260	240
Jumbotex	0.80	280	400	180	160
Multi Visio	0.40	300	400	300	340
Multiscreen 1%	0.55	300	400	260	240
Multiscreen 10%	0.47	300	400	300	290
Multiscreen 5%	0.55	300	400	260	240
Safescreen	0.20	300	400	300	400
Versascreen 1%	0.70	300	400	200	180
Versascreen 2 %	0.63	300	400	220	200
Versascreen 5%	0.55	300	400	260	240
Versascreen 10%	0.55	300	400	260	240
Element	0.30	300	400	300	400
Multi Shadow	0.35	300	400	300	400
Mercuro	0.38	300	400	300	360
Moon	0.45	300	400	300	300
Multicolour Screen	0.57	300	400	220	200
Multicolour Dimout	0.80	280	400	180	160
Puma	0.38	300	400	300	360
Newlifescreeen	0.55	300	400	260	240
Newlifescreeen Alu	0.55	300	400	260	240
Basicscreen 1%	0.65	300	400	220	200
Basicscreen 5%	0.55	300	400	260	240
Basicscreen 10%	0.50	300	400	290	270
Nox	0.44	300	400	300	310

Max. System Height
 Limitations in Height



Roller Blind Fabric Application Chart

Although each roller blind hardware system has its own width and drop restrictions, some of the bigger sizes may not be achievable due to limitations on original fabric width and whether the fabric can be used 'width for drop'. Always ensure the fabric for your roller blind system can be fitted within the guideline dimensions below. If in doubt please contact Silent Gliss.

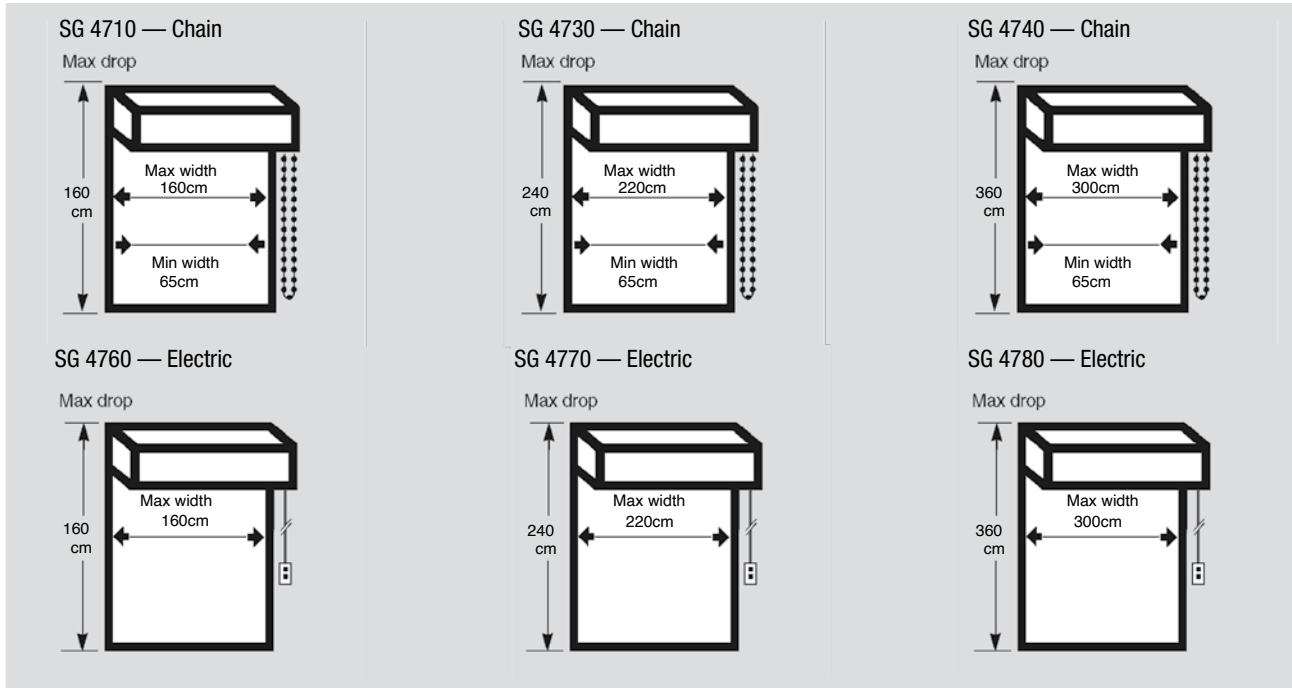
System Info	Fabric Name	Fabric width cm	Fabric weight Grams	4900 Max m ² = 6 Max weight 2.2kg				4910 Max m ² = 7.2 Max weight 3kg				4930 Max m ² = 17 Max weight 7kg			
				Max width 200cm		Max drop 300cm		Max width 240cm		Max drop 300cm		Max width 340cm		Max drop 500cm	
				Maximising width	Drop cm	Maximising width	Drop cm	Maximising width	Drop cm	Maximising width	Drop cm	Maximising width	Drop cm	Maximising width	Drop cm
Aluscreen Futura	245	320	200	300	180	300	220	300	220	300	300	500	300	500	
Alutex	240	220	200	300	200	300	230	300	230	300	230	500	230	500	
Atracor	250	445	Fabric not suitable		Fabric not suitable		240	300	240	300	240	350	240	500	
Basic Screen 1%	250	480	Fabric not suitable		Fabric not suitable		240	260	210	300	300	400	250	500	
Basic Screen 5%	250	410	200	200	140	300	240	300	240	300	300	450	275	500	
Basic Screen 10%	250	340	200	230	180	300	240	300	240	300	300	500	300	500	
Colorama Acoustic	330	140	200	300	200	300	240	300	240	300	300	500	300	500	
Colorama Acoustic Multicolour	330	140	200	300	200	300	240	300	240	300	300	500	300	500	
Colorama 1	200	135	190	300	190	300	190	300	190	300	190	500	190	500	
*Colorama 1	340	135	200	300	200	300	240	300	240	300	330	500	330	500	
Colorama 1 Alu	290	255	200	300	200	300	240	300	240	300	280	500	280	500	
Colorama 1 Bioactive	340	130	200	300	200	300	240	300	240	300	300	500	300	500	
Colorama 1 Eco	340	135	200	300	200	300	240	300	240	300	300	500	300	500	
Colorama 1 Multicolour	330	130	200	300	200	300	240	300	240	300	300	500	300	500	
Colorama 2	200	250	190	300	190	300	190	300	190	300	190	500	190	500	
*Colorama 2	340	250	200	300	200	300	240	300	240	300	330	500	330	500	
Colorama 2 Bioactive	340	290	200	300	200	300	240	300	240	300	300	500	300	500	
Colorama 2 Eco	340	250	200	300	200	300	240	300	240	300	300	500	300	500	
Colorama 2 Multicolour	330	260	200	300	200	300	240	300	240	300	300	500	300	500	
Element	235	220	200	300	200	300	225	300	225	300	225	500	225	500	
*Element	300	220	200	300	200	300	240	300	240	300	290	500	290	500	
Jumbotex	500	545	Fabric not suitable		Fabric not suitable		240	200	160	270	300	300	225	500	
Mercurio	235	340	200	230	180	300	225	300	225	300	225	500	225	500	
*Mercurio	300	340	200	230	180	300	240	300	240	300	290	500	290	500	
Moon	240	390	200	200	170	300	230	300	230	300	230	500	230	500	
Multi Shadow	235	170	200	300	200	300	230	300	230	300	230	500	230	500	
Multi Visio	240	210	200	300	200	300	230	300	230	300	230	500	230	500	
Multicolour Screen	295	420	200	190	140	300	240	300	240	300	300	450	275	500	
Multicolour Dimout	320	400	200	200	150	300	240	280	240	280	310	450	275	500	
Multiscreen 1%	250	440	Fabric not suitable		Fabric not suitable		240	300	240	300	300	400	250	500	
Multiscreen 5%	250	410	200	200	160	300	240	300	240	300	300	400	275	500	
Multiscreen 10%	310	350	200	230	180	300	240	300	240	300	300	500	300	500	
Newlife Screen	320	215	200	300	200	300	240	300	240	300	300	500	300	500	
Newlife Screen Alu	240	215	200	300	200	300	230	300	230	300	230	500	230	500	
Nox	305	340	200	230	180	300	240	300	240	300	290	500	290	500	
Puma	300	530	200	200	140	300	240	300	240	300	300	450	275	500	
Reflex	240	170	200	300	200	300	230	300	230	300	230	500	230	500	
Safescreen	240	170	200	300	200	300	230	300	230	300	230	500	230	500	
Versascreen 1%	300	520	Fabric not suitable		Fabric not suitable		240	200	180	300	300	350	225	500	
Versascreen 2%	300	510	Fabric not suitable		Fabric not suitable		240	210	180	300	300	350	225	500	
Versascreen 5%	300	420	200	190	140	300	240	300	240	300	300	450	275	500	
Versascreen 10%	300	400	200	200	150	300	240	300	240	300	300	450	275	500	

*Mercurio only available in 300cm in colours 1 4 28 35 and 44 *Element only available in colours 01/02/04/17
*Colorama 1 and 2 in 340cm width only available on colours 400/401/402/410/427/429/440/442/447

System Info	Fabric Name	Fabric width cm	Fabric weight Grams	4940/4945 Max m ² = 15				4955 Max m ² = 7.2 Max weight 4kg				4960 Max m ² = 9.6 Max weight 5.5kg				4970 Max m ² = 17 Max weight 10kg				4980/4985 Max m ² = 36			
				Max width 500cm		Max drop 600cm		Max width 240cm		Max drop 300cm		Max width 240cm		Max drop 400cm		Max width 340cm		Max drop 500cm		Max width 500cm		Max drop 1200cm	
				Maximising width	Drop cm	Maximising width	Drop cm	Maximising width	Drop cm	Maximising width	Drop cm	Maximising width	Drop cm	Maximising width	Drop cm	Maximising width	Drop cm	Maximising width	Drop cm	Maximising width	Drop cm	Maximising width	Drop cm
Aluscreen Futura	245	320	500	300	250	600	235	300	235	300	240	400	240	400	300	500	300	500	500	720	300	1200	
Alutex	240	220	230	600	230	600	230	300	230	300	230	160	230	400	230	500	230	500	230	1200	230	1200	
Atracor	250	445	240	450	240	600	240	270	220	300	240	400	240	400	240	500	240	500	240	1000	240	1200	
Basic Screen 1%	250	480	500	290	240	600	240	250	210	300	240	400	240	400	300	500	300	500	500	720	300	1200	
Basic Screen 5%	250	410	500	300	250	600	240	280	235	300	240	400	240	400	300	500	300	500	500	720	300	1200	
Basic Screen 10%	250	340	500	300	250	600	240	300	240	300	240	400	240	400	300	500	300	500	500	720	300	1200	
Colorama Acoustic	330	140	320	450	250	600	240	300	240	300	240	400	240	400	300	500	300	500	320	1000	300	1200	
Colorama Acoustic Multicolour	330	140	320	450	250	600	240	300	240	300	240	400	240	400	300	500	300	500	320	1000	300	1200	
Colorama 1	200	135	190	600	190	600	190	300	190	300	190	400	190	400	190	500	190	500	190	1200	190	1200	
*Colorama 1	340	135	330	450	250	600	240	300	240	300	240	400	240	400	330	500	330	500	330	1000	300	1200	
Colorama 1 Alu	290	140	280	530	250	600	240	300	240	300	240	400	240	400	280	500	280	500	280	1200	280	1200	
Colorama 1 Bioactive	340	290	290	520	250	600	240	300	240	300	240	400	240	400	290	500	290	500	280	1200	280	1200	
Colorama 1 Eco	340	135	330	450	250	600	240	300	240	300	240	400	240	400	300	500	300	500	330	1000	300	1200	
Colorama 1 Multicolour	330	130	320	450	250	600	240	300	240	300	240	400	240	400	300	500	300	500	320	1000	300	1200	
Colorama 2	200	250	190	600	190	600	190	300	190	300	190	400	190	400	190	500	190	500	190	1200	190	1200	
*Colorama 2	340	250	330	450	250	600	240	300	240	300	240	400	240	400	330	500	330	500	330	1000	300	1200	
Colorama 2 Bioactive	340	290	290	510	250	600	240	300	240	300	240	400	240	400	290	500	290	500	280	1200	280	1200	
Colorama 2 Eco	340	250	330	450	230	600	240	300	240	300	240	400	240	400	300	500	300	500	330	1000	300	1200	
Colorama 2 Multicolour	330	260	320	450	230	600	240	300	240	300	240	400	240	400	300	500	300	500	320	1000	300	1200	
Element	235	220	225	500	225	600	225	300	225	300	225	185	225	400	225	500	225	500	225	1200	225	1200	
*Element	300	220	290	600	250	600	240	300	240	300	240	400	240	400	290	500	290	500	290	1200	290	1200	
Jumbotex	500	545	330	450	330	450	240	220	190	300	240	400	240	400	300	500	300	500	330	1000	300	1200	
Mercurio	235	340	225	600	225	600	225	300	225	300	225	195	225	400	225	500	225	500	225	1200	225	1200	
*Mercurio	300	340	290	520	250	600	240	300	240	300	240	400	240	400	290	500	290	500	280	1200	280	1200	
Moon	240	390	230	600	230	600	230	300	230	300	230	400	230	400	230	500	230	500	230	1200	230	1200	
Multi Shadow	235	170	230	600	230	600	225	300	225	300	230	400	230	400	230	500	230	500	230	1200	230	1200	
Multi Visio	240	210	230	600	230	600	230	300	230	300	230	400	230	400	230	500	230	500	230	1200	230	1200	
Multicolour Dimout	320	400	310	300	250	600	240	300	240	300	240	400	240	400	300	500	300	500	310	1000	300	1200	
Multicolour Screen	295	420	500	300	250	600	240	290	230	300	240	400	240	400	300	500	300	500	500	720	300	1200	
Multiscreen 1%	250	440	330	450	250	600	240	270	220	300	240	400	240	400	300	500	300	500	500	720	300	1200	
Multiscreen 5%																							



Dim-Out Blind Systems



Price category C

The prices in the tables comprise the complete system made-to-measure, with fabric chosen, ready to install.

Colours: White or black available as standard.
Other colours special orders - consult with Silent Gliss
(Accessories available in white or black only)

If sizes lie between the measurements shown, the price for the next larger size will apply.

Note: Laminated customer own fabric not available.
*If welded, white not recommended as discolours.

SG 4710 - Chain (Headbox size: 73mm)

Price Group 1R

Puma

Width	65cm	80cm	100cm	120cm	140cm	160cm	Width
Drop (cm)							Drop (cm)
60	321.57	344.65	375.34	406.14	436.95	467.66	60
80	348.62	371.72	402.44	433.24	464.04	494.74	80
100	375.71	398.81	429.52	460.32	491.10	521.83	100
120	402.78	425.88	456.59	487.39	518.19	548.92	120
140	429.89	452.96	483.69	514.47	545.27	575.99	140
160	456.96	480.06	510.76	541.57	572.36	603.09	160

Price Group 2R

Basic Screen 5%
Mercurio
Nox

Width	65cm	80cm	100cm	120cm	140cm	160cm	Width
Drop (cm)							Drop (cm)
60	432.45	455.50	486.30	517.03	547.81	578.59	60
80	473.42	496.49	527.24	558.00	588.74	619.52	80
100	514.32	537.41	568.20	598.93	629.73	660.46	100
120	555.30	578.39	609.11	639.91	670.62	701.42	120
140	596.24	619.31	650.11	680.83	711.63	742.34	140
160	637.14	660.20	691.01	721.73	752.52	783.34	160

Price Group 3R

Moon

Width	65cm	80cm	100cm	120cm	140cm	160cm	Width
Drop (cm)							Drop (cm)
60	509.09	532.18	562.98	593.77	624.50	655.28	60
80	559.66	582.74	613.52	644.25	675.04	705.84	80
100	610.18	633.27	664.07	694.78	725.58	756.29	100
120	660.71	683.80	714.53	745.34	776.11	806.85	120
140	711.28	734.36	765.07	795.88	826.60	857.40	140
160	761.74	784.81	815.63	846.40	877.14	907.91	160

All prices shown exclude VAT



Dim-Out Blind System SG 4730 - Chain (Headbox size: 90mm)

Price category C

Price Group 1R - Puma

Width	65cm	80cm	100cm	120cm	140cm	160cm	180cm	200cm	220cm	Width
Drop cm										Drop cm
60	384.04	422.94	474.81	526.68	578.55	630.42	682.29	734.16	786.03	60
80	411.08	451.76	506.00	560.24	614.48	668.72	722.96	777.20	831.44	80
100	438.18	480.63	537.22	593.82	650.42	707.01	763.61	820.20	876.80	100
120	465.27	509.49	568.44	627.39	686.35	745.30	804.25	863.21	922.16	120
140	492.34	538.32	599.64	660.95	722.26	783.57	844.89	906.20	967.51	140
160	519.43	567.18	630.85	694.51	758.18	821.85	885.52	949.18	1012.85	160
180	546.51	600.35	672.14	743.92	815.71	887.49	959.28	1031.06	1102.85	180
200	573.59	629.20	703.34	777.48	851.62	925.76	999.91	1074.05	1148.19	200
220	600.70	658.08	734.58	811.09	887.59	964.10	1040.60	1117.11	1193.61	220
240	627.75	686.90	765.77	844.65	923.52	1002.39	1081.26	1160.13	1239.00	240

Price Group 2R - Basic Screen 5%, Mercurio and Nox

Width	65cm	80cm	100cm	120cm	140cm	160cm	180cm	200cm	220cm	Width
Drop cm										Drop cm
60	494.97	519.72	552.71	585.67	618.66	651.64	684.67	726.65	766.62	60
80	535.86	560.62	593.61	626.59	659.62	692.61	725.59	768.57	809.23	80
100	576.86	601.53	634.58	667.58	700.55	733.52	766.51	809.50	852.49	100
120	617.79	642.53	675.50	708.49	741.47	774.45	807.44	850.43	893.42	120
140	658.69	683.46	716.41	749.47	782.46	815.45	848.44	891.43	934.42	140
160	699.69	724.41	757.41	790.37	823.36	856.34	889.33	932.32	975.31	160
180	740.57	765.32	798.33	831.29	864.36	897.34	930.33	973.32	1016.31	180
200	781.57	806.26	839.30	872.30	905.27	938.25	971.24	1014.23	1057.22	200
220	822.50	847.25	880.22	913.20	946.18	979.16	1012.15	1045.14	1078.13	220
240	863.41	888.16	921.13	954.18	987.18	1020.17	1053.16	1086.15	1119.14	240

Price Group 3R - Moon

Width	65cm	80cm	100cm	120cm	140cm	160cm	180cm	200cm	220cm	Width
Drop cm										Drop cm
60	571.64	596.39	629.37	662.36	695.32	728.37	761.36	794.33	827.31	60
80	622.19	646.95	679.91	712.89	745.86	778.87	811.91	844.89	877.86	80
100	672.65	697.40	730.46	763.44	796.42	829.38	862.38	895.41	928.40	100
120	723.21	747.96	780.94	813.98	846.95	879.93	912.91	945.88	978.93	120
140	773.75	798.49	831.46	864.45	897.51	930.46	963.46	996.44	1029.40	140
160	824.28	849.04	882.01	914.99	947.97	981.01	1014.00	1046.97	1079.97	160
180	874.83	899.59	932.57	965.54	998.52	1031.50	1064.55	1097.53	1130.51	180
200	925.32	950.06	983.09	1016.06	1049.07	1082.04	1115.01	1148.06	1181.05	200
220	975.83	1000.58	1033.55	1066.63	1099.60	1132.58	1165.56	1198.51	1231.45	220
240	1026.38	1051.13	1084.12	1117.09	1150.15	1183.12	1216.07	1249.02	1281.96	240

Dim-Out Roller Blind SG 4740 - Chain (Headbox size: 110mm)

Price category C

Price Group 1R - Puma

Width	65cm	80cm	100cm	120cm	140cm	160cm	180cm	200cm	220cm	240cm	260cm	280cm	300cm	Width
Drop cm														Drop cm
60	508.82	549.51	603.77	658.02	712.27	766.53	820.78	875.04	929.29	983.55	1037.80	1092.06	1146.31	60
80	535.30	577.16	632.97	688.78	744.59	800.40	856.21	912.02	967.83	1023.64	1079.45	1135.26	1191.07	80
100	561.80	604.83	662.19	719.56	776.93	834.29	891.66	949.03	1006.39	1063.76	1121.13	1178.49	1235.86	100
120	588.31	632.51	691.43	750.36	809.29	868.21	927.14	986.07	1044.99	1103.92	1162.85	1221.77	1280.70	120
140	614.81	660.17	720.65	781.14	841.62	902.10	962.58	1023.07	1083.55	1144.03	1204.51	1265.00	1325.48	140
160	641.29	687.82	749.86	811.90	873.93	935.97	998.01	1060.05	1122.09	1184.13	1246.16	1308.20	1370.24	160
180	667.80	718.36	785.76	853.17	920.58	987.99	1055.39	1122.80	1190.21	1257.62	1325.02	1392.43	1459.84	180
200	694.29	746.01	814.98	883.94	952.90	1021.87	1090.83	1159.79	1228.76	1297.72	1366.68	1435.65	1504.61	200
220	720.79	773.68	844.20	914.72	985.24	1055.76	1126.28	1196.80	1267.32	1337.84	1408.36	1478.88	1549.40	220
240	747.29	801.35	873.42	945.49	1017.57	1089.64	1161.72	1233.79	1305.86	1377.94	1450.01	1522.09	1594.16	240
260	773.80	829.02	902.65	976.28	1049.91	1123.53	1197.16	1270.79	1344.42	1418.05	1491.67	1565.30	1638.93	260
280	800.29	856.68	931.87	1007.06	1082.25	1157.44	1232.63	1307.82	1383.01	1458.20	1533.39	1608.58	1683.77	280
300	826.79	884.35	961.10	1037.84	1114.59	1191.34	1268.09	1344.83	1421.58	1498.33	1575.08	1651.82	1728.57	300
320	853.29	912.02	990.32	1068.62	1146.93	1225.23	1303.53	1381.84	1460.14	1538.44	1616.74	1695.05	1773.35	320
340	879.78	939.67	1019.53	1099.39	1179.25	1259.11	1338.97	1418.83	1498.69	1578.55	1658.41	1738.27	1818.13	340
360	906.29	967.35	1048.77	1130.18	1211.59	1293.01	1374.42	1455.84	1537.25	1618.67	1700.08	1781.50	1862.91	360

Price Group 2R - Basic Screen 5%, Mercurio and Nox (up to 260cm)

Width	65cm	80cm	100cm	120cm	140cm	160cm	180cm	200cm	220cm	240cm	260cm	280cm	300cm	Width
Drop cm														Drop cm
60	573.95	609.19	656.06	702.95	749.83	796.72	843.60	890.49	937.38	984.27	1031.16	1078.05	1124.94	60
80	614.93	650.11	699.99	743.88	790.82	837.72	884.59	931.46	978.33	1025.20	1072.07	1118.94	1165.81	80
100	655.85	691.01	737.95	784.86	831.73	878.61	925.49	972.36	1019.23	1066.10	1112.97	1159.84	1206.71	100
120	696.86	732.00	778.91	825.78	872.66	919.53	966.40	1013.27	1060.14	1107.01	1153.88	1200.75	1247.62	120
140	737.75	772.91	819.79	866.76	913.65	960.53	1007.42	1054.30	1101.17	1148.04	1194.91	1241.78	1288.65	140
160	778.65	813.92	860.78	907.68	954.55	1001.44	1048.31	1095.18	1142.05	1188.92	1235.79	1282.66	1329.53	160
180	819.64	854.82	901.71	948.58	995.44	1042.32	1089.19	1136.06	1182.93	1229.80	1276.67	1323.54	1370.41	180
200	860.59	895.74	942.68	989.56	1036.45	1083.33	1130.21	1177.08	1223.95	1270.82	1317.69	1364.56	1411.43	200
220	901.55	936.71	983.60	1030.47	1077.38	1124.30	1171.20	1218.10	1265.00	1311.90	1358.80	1405.70	1452.60	220
240	942.46	977.63	1024.50	1071.48	1118.35	1165.24	1212.12	1259.01	1305.90	1352.80	1399.70	1446.60	1493.50	240
260	983.39	1018.62	1065.48	1112.39	1159.25	1206.14	1253.03	1300.00	1346.90	1393.80	1440.70	1487.60	1534.50	260
280	1024.36	1059.52	1106.43	1153.29	1200.26	1247.12	1294.02	1340.90	1387.80	1434.70	1481.60	1528.50	1575.40	280
300	1065.28	1100.44	1147.40	1194.26	1241.15	1288.04	1334.94	1381.84	1428.74	1475.64	1522.54	1569.44	1616.34	300
320	1106.20	1141.37	1188.01	1235.25	1282.03	1328.97	1375.91	1422.85	1469.79	1516.73	1563.67	1610.61	1657.55	320
340	1147.12	1182.29	1229.34	1276.21	1323.02	1369.89	1416.76	1463.64	1510.52	1557.40	1604.28	1651.16	1698.04	340
360	1188.05	1223.21	1270.31	1317.18	1363.82	1410.80	1457.70	1504.60	1551.50	1598.40	1645.30	1692.20	1739.10	360

Price Group 3R - Moon

Width	65cm	80cm	100cm	120cm	140cm	160cm	180cm	200cm	220cm	240cm	260cm	280cm	300cm	Width
Drop cm														Drop cm
60	696.44	727.80	769.59	811.36	853.15	894.94	936.80	978.59	1020.37	1060.97	1101.57	1142.17	1182.77	60
80	746.40	777.70	819.55	861.33	903.12	944.91	986.71	1028.50						



Dim-Out Blind System SG 4760 - Electric (Headbox size: 73mm)

Price category C

The prices below comprise the complete system made-to-measure, including series 20 mains switched motor (alternative motors see below).

Price Group 1R - Puma

Width	65cm	80cm	100cm	120cm	140cm	160cm	Width
Drop cm							Drop cm
60	1051.30	1083.59	1126.62	1169.74	1212.86	1255.86	60
80	1089.19	1121.51	1164.53	1207.64	1250.75	1293.77	80
100	1127.14	1159.44	1202.43	1245.56	1288.66	1331.68	100
120	1165.05	1197.34	1240.38	1283.47	1326.58	1369.59	120
140	1202.97	1235.27	1278.29	1321.40	1364.50	1407.52	140
160	1240.88	1273.16	1316.19	1359.31	1402.41	1445.42	160

Price Group 2R - Basic Screen 5%, Mercurio and Nox

Width	65cm	80cm	100cm	120cm	140cm	160cm	Width
Drop cm							Drop cm
60	1206.52	1238.84	1281.95	1324.96	1368.07	1411.16	60
80	1263.88	1296.18	1339.21	1382.33	1425.34	1468.45	80
100	1321.18	1353.48	1396.61	1439.62	1482.73	1525.76	100
120	1378.54	1410.77	1453.88	1497.00	1540.01	1583.13	120
140	1435.84	1468.16	1511.13	1554.28	1597.39	1640.39	140
160	1493.13	1525.42	1568.55	1611.55	1654.65	1697.77	160

Price Group 3R - Moon

Width	65cm	80cm	100cm	120cm	140cm	160cm	Width
Drop cm							Drop cm
60	1313.80	1346.13	1389.23	1432.34	1475.35	1518.46	60
80	1384.56	1416.88	1459.99	1502.99	1546.09	1589.21	80
100	1455.32	1487.62	1530.73	1573.74	1616.84	1659.87	100
120	1526.06	1558.38	1601.36	1644.48	1687.58	1730.61	120
140	1596.81	1629.13	1672.14	1715.25	1758.25	1801.36	140
160	1667.46	1699.77	1742.89	1785.99	1829.01	1872.12	160

SG 4760 System Control Options

Series 25 motors – Mains Switch Motor add £123.60 per systems, see Page 26.

Series 40 motors – With integrated radio receiver for operation with SG wireless Control N – add on £262.53 per system, see Page 26.

NOTE: 24v Series 40 Motors are not supplied with power supplies (transformers) as standard. They must be ordered separately, see Page 26.

Series 50 SMART by Silent Gliss motors – for use with Silent Gliss Gateway and associated components – add on £262.53 per system, see Page 26.

Dim-Out Roller Blind SG 4770 - Electric (Headbox size: 90mm)

Price category C

The prices below comprise the complete system made-to-measure, including series 20 mains switched motor (alternative motors see below).

Price Group 1R - Puma

Width	65cm	80cm	100cm	120cm	140cm	160cm	180cm	200cm	220cm	Width
Drop cm										Drop cm
60	1063.04	1117.50	1190.11	1262.73	1335.34	1407.96	1480.57	1553.19	1625.80	60
80	1100.95	1157.89	1233.80	1309.72	1385.64	1461.55	1537.47	1613.38	1689.30	80
100	1138.85	1198.27	1277.49	1356.71	1435.93	1515.15	1594.37	1673.59	1752.81	100
120	1176.76	1238.66	1321.20	1403.73	1486.27	1568.80	1651.34	1733.87	1816.41	120
140	1214.68	1279.06	1364.89	1450.73	1536.56	1622.40	1708.23	1794.07	1879.90	140
160	1252.59	1319.44	1408.58	1497.72	1586.86	1676.00	1765.14	1854.28	1943.42	160
180	1290.51	1359.84	1452.28	1544.71	1637.15	1729.59	1822.03	1914.46	2006.90	180
200	1328.43	1400.23	1495.97	1591.71	1687.44	1783.18	1878.92	1974.65	2070.39	200
220	1366.34	1440.63	1539.68	1638.72	1737.77	1836.82	1935.87	2034.92	2133.97	220
240	1404.24	1481.00	1583.35	1685.71	1788.06	1890.41	1992.76	2095.11	2197.46	240

Price Group 2R - Basic Screen 5%, Mercurio and Nox

Width	65cm	80cm	100cm	120cm	140cm	160cm	180cm	200cm	220cm	Width
Drop cm										Drop cm
60	1218.25	1252.90	1299.06	1345.34	1391.51	1437.66	1483.86	1530.11	1639.26	60
80	1275.63	1310.28	1356.46	1402.62	1448.77	1494.95	1541.21	1587.47	1704.49	80
100	1332.90	1367.56	1413.73	1459.87	1506.16	1552.33	1598.50	1723.47	1769.62	100
120	1390.27	1424.83	1471.11	1517.27	1563.44	1609.62	1655.78	1788.69	1834.87	120
140	1447.55	1482.21	1528.40	1574.56	1620.73	1667.01	1713.15	1853.81	1900.08	140
160	1504.85	1539.51	1585.65	1631.93	1678.12	1724.26	1770.43	1919.03	1965.21	160
180	1562.21	1596.87	1643.03	1689.23	1735.36	1781.54	1827.82	1984.27	2030.45	180
200	1619.52	1654.17	1700.33	1746.50	1792.78	1838.93	1885.12	2049.41	2095.67	200
220	1676.90	1711.44	1757.71	1803.89	1850.06	1896.19	1942.36	2114.64	2160.79	220
240	1734.17	1768.82	1814.98	1861.15	1907.29	1953.58	1999.76	2179.86	2226.01	240

Price Group 3R - Moon

Width	65cm	80cm	100cm	120cm	140cm	160cm	180cm	200cm	220cm	Width
Drop cm										Drop cm
60	1325.62	1360.17	1406.44	1452.62	1498.78	1544.95	1591.12	1637.38	1683.58	60
80	1396.28	1430.95	1477.11	1523.38	1569.54	1615.73	1661.87	1708.05	1754.32	80
100	1467.02	1501.68	1547.83	1594.03	1640.29	1686.47	1732.64	1778.81	1824.96	100
120	1537.78	1572.44	1618.59	1664.78	1710.95	1757.22	1803.39	1849.54	1895.70	120
140	1608.52	1643.19	1689.36	1735.54	1781.69	1827.86	1874.14	1920.31	1966.47	140
160	1679.30	1713.82	1760.09	1806.28	1852.44	1898.62	1944.79	1991.05	2037.22	160
180	1749.94	1784.60	1830.76	1877.04	1923.20	1969.38	2015.56	2061.70	2107.99	180
200	1820.67	1855.33	1901.50	1947.69	1993.94	2040.13	2086.30	2132.47	2178.64	200
220	1891.43	1926.09	1972.25	2018.44	2064.60	2110.87	2157.05	2203.21	2249.37	220
240	1962.19	1996.84	2043.01	2089.19	2135.34	2181.53	2227.79	2273.97	2320.14	240

SG 4770 System Control Options

Series 25 motors – Mains Switch Motor add £123.60 per systems, see Page 26.

Series 40 motors – With integrated radio receiver for operation with SG wireless Control N – add on £262.53 per system, see Page 26.

NOTE: 24v Series 40 Motors are not supplied with power supplies (transformers) as standard. They must be ordered separately, see Page 26.

Series 50 SMART by Silent Gliss motors – for use with Silent Gliss Gateway and associated components – add on £262.53 per system, see Page 26.

All prices shown exclude VAT



Dim-Out Blind System SG 4780 - Electric (Headbox size: 110mm)

Price category C

The prices below comprise the complete system made-to-measure, including series 20 mains switched motor (alternative motors see below).

Price Group 1R - Puma

Width	65cm	80cm	100cm	120cm	140cm	160cm	180cm	200cm	220cm	240cm	260cm	280cm	300cm	Width
Drop cm														Drop cm
60	1228.86	1287.28	1365.17	1443.06	1520.95	1598.85	1676.74	1754.63	1832.52	1910.41	1988.31	2066.20	2144.09	60
80	1266.78	1326.83	1406.90	1486.97	1567.04	1647.10	1727.17	1807.24	1887.31	1967.38	2047.44	2127.51	2207.58	80
100	1304.68	1366.36	1448.61	1530.85	1613.10	1695.34	1777.59	1859.83	1942.08	2024.32	2106.57	2188.81	2271.06	100
120	1342.62	1405.94	1490.37	1574.80	1659.23	1743.65	1828.08	1912.51	1996.94	2081.37	2165.79	2250.22	2334.65	120
140	1380.53	1445.49	1532.09	1618.70	1705.31	1791.92	1878.52	1965.13	2051.74	2138.35	2224.95	2311.56	2398.17	140
160	1418.44	1485.03	1573.82	1662.60	1751.39	1840.18	1928.96	2017.75	2106.53	2195.32	2284.11	2372.89	2461.68	160
180	1456.34	1524.56	1615.53	1706.49	1797.45	1888.42	1979.38	2070.34	2161.31	2252.27	2343.23	2434.20	2525.16	180
200	1494.26	1564.11	1657.25	1750.39	1843.53	1936.67	2029.81	2122.95	2216.09	2309.23	2402.37	2495.51	2588.65	200
220	1532.19	1603.68	1699.01	1794.33	1889.65	1984.98	2080.30	2175.62	2270.95	2366.27	2461.59	2556.92	2652.24	220
240	1570.11	1643.24	1740.74	1838.24	1935.74	2033.25	2130.75	2228.25	2325.75	2423.25	2520.76	2618.26	2715.76	240
260	1608.01	1682.77	1782.45	1882.13	1981.80	2081.48	2181.16	2280.84	2380.52	2480.20	2579.87	2679.55	2779.23	260
280	1645.93	1722.32	1824.18	1926.03	2027.89	2129.75	2231.60	2333.46	2435.32	2537.17	2639.03	2740.88	2842.74	280
300	1683.83	1761.86	1865.89	1969.92	2073.96	2177.99	2282.03	2386.06	2490.09	2594.13	2698.16	2802.20	2906.23	300
320	1721.74	1801.40	1907.61	2013.83	2120.04	2226.25	2332.46	2438.68	2544.89	2651.10	2757.31	2863.53	2969.74	320
340	1759.65	1840.94	1949.33	2057.72	2166.11	2274.51	2382.90	2491.29	2599.68	2708.07	2816.46	2924.85	3033.24	340
360	1797.56	1880.49	1991.05	2101.62	2212.19	2322.76	2433.32	2543.89	2654.46	2765.03	2875.59	2986.16	3096.73	360

Price Group 2R - Basic Screen 5% (up to 300cm), Mercurio and Nox (up to 260cm)

Width	65cm	80cm	100cm	120cm	140cm	160cm	180cm	200cm	220cm	240cm	260cm	280cm	300cm	Width
Drop cm														Drop cm
60	1452.44	1501.68	1567.31	1632.96	1698.67	1764.34	1829.96	1895.60	2092.52	2158.14	2223.77	2289.50	2355.16	60
80	1494.66	1543.87	1609.50	1675.23	1740.88	1806.52	1872.15	1937.80	2151.10	2216.76	2282.48	2348.12	2413.74	80
100	1536.86	1586.18	1651.81	1717.45	1783.06	1848.73	1914.44	1980.09	2209.71	2275.47	2341.10	2406.73	2472.34	100
120	1579.11	1628.38	1694.00	1759.65	1825.26	1891.01	1956.65	2022.28	2268.43	2334.04	2399.69	2465.33	2530.98	120
140	1621.34	1670.57	1736.20	1801.83	1867.57	1933.22	1998.84	2064.47	2327.02	2392.66	2458.30	2523.91	2589.68	140
160	1663.52	1712.77	1778.40	1844.12	1909.77	1975.42	2041.04	2106.68	2385.61	2451.27	2516.90	2582.64	2648.26	160
180	1705.72	1754.94	1820.67	1886.31	1951.97	2017.59	2083.24	2148.98	2444.24	2509.85	2575.60	2641.25	2706.87	180
200	1748.03	1797.24	1862.87	1928.50	1994.14	2059.80	2125.53	2191.18	2502.85	2568.56	2634.21	2699.86	2765.49	200
220	1790.21	1839.46	1905.07	1970.74	2036.44	2102.10	2167.73	2233.38	2561.55	2627.17	2692.81	2758.46	2824.08	220
240	1832.41	1881.63	1947.27	2013.00	2078.65	2144.28	2209.93	2275.55	2620.14	2685.79	2751.42	2817.06	2882.79	240
260	1874.61	1923.84	1989.55	2055.21	2120.83	2186.48	2252.11	2317.86	2678.73	2744.36	2810.03	2875.75	2941.41	260
280	1916.79	1966.12	2031.77	2097.41	2163.05	2228.66	2294.22	2360.05	2737.35	2802.98	2868.73	2934.36	2999.97	280
300	1959.10	2008.51	2073.97	2139.61	2205.23	2270.99	2336.60	2402.25	2795.95	2861.68	2927.33	2992.95	3058.61	300
320	2001.40	2050.50	2116.16	2181.81	2247.41	2313.30	2378.79	2444.44	2854.54	2920.40	2985.92	3051.55	3117.24	320
340	2043.71	2092.72	2158.33	2224.00	2289.61	2355.61	2420.97	2486.64	2913.15	2979.10	3044.52	3110.16	3175.89	340
360	2086.02	2134.91	2200.52	2266.20	2331.79	2397.93	2463.15	2528.85	2971.75	3037.81	3103.12	3168.76	3234.53	360

Price Group 3R - Moon

Width	65cm	80cm	100cm	120cm	140cm	160cm	180cm	200cm	220cm	240cm	260cm	280cm	300cm	Width
Drop cm														Drop cm
60	1491.38	1536.83	1597.24	1657.68	1718.11	1778.54	1839.10	1899.55	1959.96	1985.49				60
80	1562.12	1607.47	1668.01	1728.44	1788.86	1849.31	1909.74	1970.30	2030.71	2056.23				80
100	1632.88	1678.21	1738.63	1799.18	1859.62	1920.07	1980.48	2040.93	2101.50	2127.06				100
120	1703.62	1748.94	1809.41	1869.82	1930.36	1990.81	2051.26	2111.69	2172.11	2197.78				120
140	1774.38	1819.70	1880.17	1940.58	2001.02	2061.58	2122.02	2182.43	2242.87	2268.51				140
160	1845.03	1890.48	1950.90	2011.33	2071.78	2132.19	2192.75	2253.21	2313.61	2339.24				160
180	1915.78	1961.12	2021.65	2082.10	2142.52	2202.98	2263.40	2323.97	2384.39	2409.98				180
200	1986.55	2031.87	2092.31	2152.83	2213.28	2273.73	2334.17	2394.59	2455.15	2480.72				200
220	2057.29	2102.60	2163.06	2223.49	2284.04	2344.47	2404.92	2465.34	2525.77	2551.45				220
240	2128.04	2173.38	2233.81	2294.26	2354.68	2415.23	2475.68	2536.10	2596.56	2622.18				240
260	2198.70	2244.13	2304.55	2365.00	2425.43	2485.85	2546.41	2606.85	2667.30	2692.92				260
280	2269.43	2314.77	2375.31	2435.76	2496.18	2556.65	2617.08	2677.62	2738.06	2763.64				280
300	2340.20	2385.52	2445.98	2506.49	2566.96	2627.39	2687.82	2748.25	2808.80	2834.38				300
320	2410.96	2456.26	2516.64	2577.24	2637.71	2698.14	2758.55	2818.99	2879.55	2905.12				320
340	2481.72	2527.02	2587.30	2647.97	2708.47	2768.97	2829.28	2889.53	2950.29	2975.86				340
360	2552.48	2597.76	2657.97	2718.70	2779.22	2839.63	2900.02	2960.18	3021.04	3046.59				360

SG 4780 System Control Options

Series 25 motors – Mains Switch Motor add £123.60 per systems, see Page 26.

Series 40 motors – With integrated radio receiver for operation with SG wireless Control N – add on £262.53 per system, see Page 26.

NOTE: 24v Series 40 Motors are not supplied with power supplies (transformers) as standard. They must be ordered separately, see Page 26.

Series 50 SMART by Silent Gliss motors – for use with Silent Gliss Gateway and associated components – add on £262.53 per system, see Page 26.



Venetian Blind Systems

Venetian Blind Slat Information

Aluminium Slats

Price Group 1

Slat Reference	Slat Width (mm)	Slat Description
603	16	Natural Alu
612	16	Off White
615	16	White

Slat Reference	Slat Width (mm)	Slat Description
648	16	Light Grey
650	16	Magnolia
706	25	Natural Alu
716	25	Off White

Slat Reference	Slat Width (mm)	Slat Description
720	25	White
758	25	Light Grey

Slat Reference	Slat Width (mm)	Slat Description
761	25	Magnolia

Price Group 2

Slat Reference	Slat Width (mm)	Slat Description
604	16	Bright Silver
609	16	Natural Silver
610	16	Natural Silver Matt
613	16	Clear White
614	16	Pearl China White
617	16	Grey Flannel

Slat Reference	Slat Width (mm)	Slat Description
618	16	Metal Grey
619	16	Gloss Black
620	16	Black
651	16	Magnolia
704	25	TRP Natural Silver
705	25	Alu Perforated
707	25	Bright Silver
712	25	Natural Silver

Slat Reference	Slat Width (mm)	Slat Description
713	25	Natural Silver Matt
714	25	Light Ash
715	25	White Perforated
718	25	Clear White
719	25	Pearl China White
724	25	Grey Flannel
725	25	Metal Grey
726	25	Gloss Black
729	25	Black

Slat Reference	Slat Width (mm)	Slat Description
759	25	Light Grey
760	25	Magnolia Perforated
762	25	Magnolia
773	25	Garnet Red

Price Group 3

Slat Reference	Slat Width (mm)	Slat Description
601	16	Polished Alu
605	16	Bright Gold
607	16	Bright Bronze
608	16	Aluminium Gris
616	16	Light Grey
622	16	Indigo
635	16	Hunter Green
652	16	Fawn
654	16	US Beige
656	16	Dark Beige
702	25	Alu Perforated
703	25	Polished Alu
708	25	Bright Gold
709	25	Caribou
710	25	Bright Bronze
711	25	Aluminium Gris
722	25	Grey Perforated
723	25	Light Grey
727	25	Black Perforated
728	25	Black
731	25	Indigo
732	25	Admiral

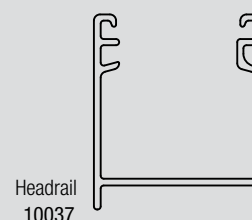
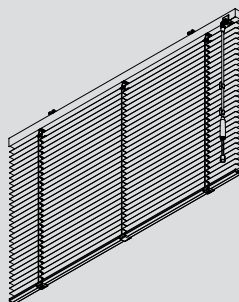
Slat Reference	Slat Width (mm)	Slat Description
733	25	Turkey Blue
734	25	Mount Baker
735	25	Morning Glory
736	25	Universe Blue
738	25	Fishing Blue
739	25	Greek Holiday
745	25	Hunter Green
747	25	Green Aspen
748	25	Weeping Green
751	25	Aztec
752	25	Saffron
754	25	Daffodil
756	25	Light Banana
757	25	Beaverwood
764	25	Fawn
765	25	Spun Gold
766	25	US Beige
768	25	Dark Beige
769	25	Diamond Mine
777	25	Woodgrain Abbey



Venetian Blind Systems

SG 8110 (16mm)

Mono control Venetian Blind System.
 Slats 16mm.
 Maximum System Width: 2.5m
 Minimum System Width: 28cm
 Maximum System Drop: 2.5m
 Maximum Surface Area: 5m²



The prices in the tables below comprise the complete system made-to-measure with 16mm slats ready to hang. If sizes lie between the measurements shown, the price for the next size larger will apply. Clear control wands as standard. The following wand sizes are available 320mm, 480mm, 680mm, 880mm, 1080mm, 1280mm, 1470mm and 1670mm. For side guided version please add 20% to prices below.

Price Group 1

Price Category C

Width Drop cm	60cm	80cm	100cm	120cm	140cm	160cm	180cm	200cm	220cm	240cm	250cm	Width Drop cm
100	282.57	313.40	344.23	375.05	405.88	436.71	467.54	498.37	529.19	560.02	575.44	100
120	288.73	321.61	354.48	387.36	420.24	453.12	486.00	518.87	551.75	584.63	601.07	120
140	295.24	330.18	365.11	400.05	434.99	469.93	504.86	539.80	574.74	609.68	627.15	140
160	301.41	338.75	376.08	413.42	450.76	488.10	525.43	562.77	600.11	637.45	656.12	160
180	307.57	346.96	386.34	425.73	465.12	504.50	543.89	583.28	622.67	662.05	681.75	180
200	314.08	355.51	396.95	438.39	479.83	521.26	562.70	604.14	645.57	687.01	707.73	200
220	320.25	363.71	407.18	450.65	494.11	537.58	581.04	624.51	667.98			220
240	326.41	371.96	417.52	463.08	508.63	554.19	599.75	645.31				240
250	329.84	376.41	422.99	469.57	516.14	562.72	609.30	655.87				250

Price Group 2

Price Category C

Width Drop cm	60cm	80cm	100cm	120cm	140cm	160cm	180cm	200cm	220cm	240cm	250cm	Width Drop cm
100	327.78	363.74	399.71	435.68	471.65	507.61	543.58	579.55	615.52	651.49	669.47	100
120	334.97	373.32	411.68	450.04	488.40	526.75	565.11	603.47	641.82	680.18	699.36	120
140	342.17	382.92	423.68	464.44	505.19	545.95	586.71	627.47	668.22	708.98	729.35	140
160	349.70	392.84	435.99	479.14	522.28	565.43	608.58	651.72	694.87	738.02	759.58	160
180	356.90	402.45	448.01	493.57	539.12	584.68	630.24	675.79	721.35	766.91	789.68	180
200	364.08	412.03	459.98	507.92	555.87	603.82	651.76	699.71	747.66	795.60	819.57	200
220	371.62	421.97	472.32	522.66	573.01	623.36	673.70	724.05	774.40			220
240	378.81	431.55	484.29	537.02	589.76	642.49	695.23	747.97				240
250	382.58	436.70	490.82	544.93	599.05	653.16	707.28	761.40				250

Price Group 3

Price Category C

Width Drop cm	60cm	80cm	100cm	120cm	140cm	160cm	180cm	200cm	220cm	240cm	250cm	Width Drop cm
100	401.07	444.91	488.75	532.58	576.42	620.26	664.09	707.93	751.77	795.60	817.52	100
120	409.98	456.91	503.83	550.76	597.69	644.62	691.54	738.47	785.40	832.32	855.79	120
140	418.88	468.55	518.21	567.88	617.55	667.21	716.88	766.55	816.21	865.88	890.71	140
160	427.79	480.53	533.26	586.00	638.73	691.47	744.21	796.94	849.68	902.41	928.78	160
180	436.70	492.53	548.35	604.18	660.00	715.83	771.66	827.48	883.31	939.13	967.05	180
200	445.94	504.50	563.07	621.64	680.20	738.77	797.33	855.90	914.46	973.03	1002.31	200
220	454.85	516.49	578.14	639.78	701.43	763.08	824.72	886.37	948.01			220
240	463.76	528.49	593.23	657.96	722.70	787.44	852.17	916.91				240
250	468.21	534.31	600.42	666.52	732.63	798.73	864.84	930.94				250

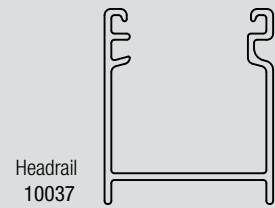
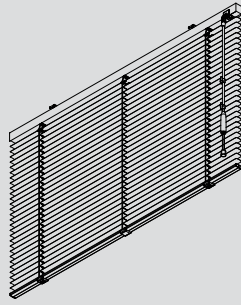
All prices shown exclude VAT



Venetian Blind Systems

SG 8110PC (25mm)

Mono control Venetian Blind System.
 Slats 25mm.
 Maximum System Width: 3m
 Minimum System Width: 28cm
 Maximum System Drop: 3m
 Maximum Surface Area: 7m²



The prices in the tables below comprise the complete system made-to-measure with 25mm slats ready to hang. If sizes lie between the measurements shown, the price for the next size larger will apply. Clear control wands as standard. The following wand sizes are available 320mm, 480mm, 680mm, 880mm, 1080mm, 1280mm, 1470mm and 1670mm. For side guided version please add 20% to prices below.

Price Group 1

Price Category C

Width ▶ Drop ▼ cm	60cm	80cm	100cm	120cm	140cm	160cm	180cm	200cm	220cm	240cm	260cm	280cm	300cm	◀ Width ▼ Drop cm
100	282.58	311.59	340.58	369.58	398.58	427.58	456.59	485.58	514.59	543.58	572.59	601.59	630.59	100
120	288.68	319.72	350.77	381.80	412.84	443.89	474.92	505.97	537.01	568.06	599.09	630.13	661.18	120
140	294.78	327.85	360.92	394.00	427.07	460.14	493.21	526.28	559.35	592.43	625.50	658.57	691.63	140
160	301.22	336.33	371.43	406.53	441.63	476.74	511.83	546.93	582.03	617.13	652.24	687.34	722.44	160
180	307.32	344.45	381.58	418.72	455.85	492.98	530.11	567.24	604.38	641.51	678.65	715.78	752.91	180
200	313.42	352.59	391.76	430.94	470.11	509.28	548.45	587.63	626.81	665.98	705.15	744.32	783.49	200
220	319.86	361.07	402.27	443.47	484.68	525.88	567.08	608.29	649.49	690.69	731.90	773.10	814.30	220
240	325.96	369.19	412.42	455.66	498.89	542.13	585.36	628.60	671.83	715.07	758.30	801.53		240
260	332.06	377.32	422.59	467.85	513.12	558.38	603.64	648.91	694.17	739.44	784.70			260
280	338.50	385.81	433.12	480.41	527.72	575.03	622.33	669.63	716.94	764.24				280
300	344.60	394.27	443.95	493.63	543.30	592.97	642.65	692.32	742.00					300

Price Group 2

Price Category C

Width ▶ Drop ▼ cm	60cm	80cm	100cm	120cm	140cm	160cm	180cm	200cm	220cm	240cm	260cm	280cm	300cm	◀ Width ▼ Drop cm
100	343.55	378.38	413.21	448.04	482.86	517.70	552.53	587.36	622.19	657.00	691.85	726.69	761.51	100
120	351.01	388.22	425.42	462.61	499.82	537.02	574.23	611.42	648.62	685.83	723.02	760.22	797.43	120
140	358.48	398.06	437.65	477.23	516.81	556.40	595.97	635.55	675.13	714.72	754.30	793.88	833.46	140
160	365.61	407.90	450.19	492.48	534.78	577.07	619.36	661.65	703.94	746.24	788.53	830.82	873.11	160
180	373.08	417.76	462.43	507.10	551.77	596.44	641.11	685.78	730.46	775.13	819.80	864.47	909.14	180
200	380.20	427.25	474.29	521.33	568.37	615.41	662.47	709.51	756.55	803.59	850.63	897.68	944.72	200
220	387.68	437.10	486.52	535.94	585.37	634.79	684.21	733.64	783.06	832.48	881.91	931.33	980.75	220
240	395.15	447.29	499.44	551.58	603.71	655.86	708.00	760.15	812.29	864.44	916.58	968.73		240
260	402.28	456.78	511.30	565.81	620.33	674.84	729.35	783.87	838.38	892.90	947.40			260
280	409.74	466.63	523.53	580.43	637.32	694.21	751.11	808.00	864.89	921.79				280
300	417.21	476.48	535.74	595.00	654.27	713.53	772.80	832.06	891.32					300

Price Group 3 – 25mm slat size

Price Category C

Width ▶ Drop ▼ cm	60cm	80cm	100cm	120cm	140cm	160cm	180cm	200cm	220cm	240cm	260cm	280cm	300cm	◀ Width ▼ Drop cm
100	449.04	494.14	539.24	584.34	629.43	674.54	719.64	764.73	809.84	854.93	900.03	945.14	990.23	100
120	458.57	506.72	554.88	603.04	651.21	699.36	747.52	795.69	843.84	892.00	940.16	988.33	1036.48	120
140	467.74	519.31	570.87	622.43	673.98	725.54	777.10	828.67	880.23	931.79	983.34	1034.90	1086.46	140
160	477.27	531.89	586.51	641.13	695.75	750.38	805.00	859.61	914.23	968.85	1023.47	1078.09	1132.71	160
180	486.45	544.13	601.81	659.49	717.18	774.86	832.54	890.22	947.90	1005.58	1063.26	1120.94	1178.62	180
200	495.64	556.39	617.13	677.88	738.63	799.39	860.14	920.89	981.64	1042.39	1103.15	1163.90	1224.65	200
220	505.15	568.97	632.78	696.59	760.41	824.22	888.02	951.84	1015.65	1079.46	1143.28	1207.09	1270.90	220
240	514.34	581.21	648.09	714.95	781.83	848.70	915.57	982.44	1049.31	1116.19	1183.06	1249.94		240
260	523.86	593.80	663.73	733.66	803.60	873.52	943.46	1013.39	1083.32	1153.25	1223.19			260
280	533.05	606.38	679.71	753.04	826.38	899.71	973.04	1046.38	1119.70	1193.04				280
300	542.57	618.96	695.35	771.75	848.14	924.54	1000.92	1077.32	1153.71					300

All prices shown exclude VAT



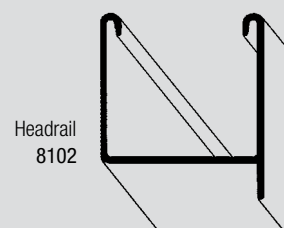
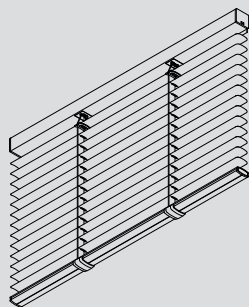
Venetian Blind Systems

SG 8250 (16mm)

Electrically operated Venetian Blind System.
System with 24v motor 8060.

Maximum System Width: 300cm
Minimum System Width: 65cm*
Maximum System Drop: 340cm
Maximum Surface Area: 5m²

* Please refer to Catalogue pages



The prices in the tables below and on the following page comprise the complete system made-to-measure with 16mm slats ready to hang with universal snap bracket 8201. If sizes lie between the measurements shown, the price for the next size larger will apply. For multicoloured blinds add 20% to prices below for each colour. For side-guided/sloping version add 20% to prices below.

Price Group 1

Price Category C

Width ▶ Drop ▼ cm	80cm	100cm	120cm	140cm	160cm	180cm	200cm	220cm	240cm	260cm	280cm	300cm	◀ Width ▼ Drop cm
100	867.91	912.74	957.55	1002.44	1047.24	1092.10	1137.00	1181.76	1226.64	1271.45	1316.28	1361.15	100
120	877.48	924.37	971.31	1018.27	1065.20	1112.14	1159.07	1205.93	1252.93	1299.82	1346.76	1393.70	120
140	887.07	936.02	985.12	1034.09	1083.13	1132.10	1181.14	1230.22	1279.22	1328.21	1377.24	1426.25	140
160	896.69	947.80	998.82	1049.98	1101.11	1152.22	1203.28	1254.40	1305.49	1356.61	1407.72	1458.80	160
180	906.22	959.46	1012.63	1065.85	1119.04	1172.20	1225.40	1278.62	1331.83	1384.99			180
200	915.83	971.13	1026.40	1081.71	1137.01	1192.24	1247.53	1302.84	1358.11				200
220	925.40	982.78	1040.20	1097.53	1154.93	1212.27	1269.63	1327.00					220
240	935.03	994.52	1053.94	1113.36	1172.80	1232.34	1291.82						240
260	944.61	1006.16	1067.70	1129.25	1190.79	1252.36							260
280	954.20	1017.83	1081.48	1145.08	1208.75								280
300	963.79	1029.53	1095.23	1160.95	1226.73								300
320	973.34	1041.20	1108.98	1176.81									320
340	982.99	1052.84	1122.74	1192.71									340

Price Group 2

Price Category C

Width ▶ Drop ▼ cm	80cm	100cm	120cm	140cm	160cm	180cm	200cm	220cm	240cm	260cm	280cm	300cm	◀ Width ▼ Drop cm
100	884.61	933.68	982.64	1031.69	1080.67	1129.66	1178.73	1227.72	1276.74	1325.74	1374.74	1423.83	100
120	895.86	947.38	998.87	1050.45	1101.98	1153.48	1204.98	1256.48	1308.05	1359.57	1411.07	1462.63	120
140	907.13	961.17	1015.16	1069.20	1123.19	1177.22	1231.31	1285.37	1339.41	1393.36	1447.41	1501.44	140
160	918.37	974.92	1031.42	1088.00	1144.49	1201.04	1257.60	1314.13	1370.66	1427.21	1483.72	1540.26	160
180	929.62	988.70	1047.75	1106.80	1165.82	1224.83	1283.88	1342.90	1402.01	1461.00			180
200	940.92	1002.47	1064.01	1125.53	1187.09	1248.63	1310.16	1371.71	1433.30				200
220	952.17	1016.23	1080.25	1144.36	1208.35	1272.43	1336.48	1400.58					220
240	963.42	1029.98	1096.55	1163.10	1229.66	1296.18	1362.79						240
260	974.71	1043.76	1112.78	1181.93	1250.94	1320.03							260
280	985.98	1057.56	1129.17	1200.68	1272.25								280
300	997.22	1071.27	1145.39	1219.42	1293.54								300
320	1008.47	1085.08	1161.60	1238.19									320
340	1019.73	1098.83	1177.90	1257.02									340

Price Group 3

Price Category C

Width ▶ Drop ▼ cm	80cm	100cm	120cm	140cm	160cm	180cm	200cm	220cm	240cm	260cm	280cm	300cm	◀ Width ▼ Drop cm
100	1042.59	1083.68	1124.78	1165.88	1206.97	1248.07	1289.17	1330.27	1371.36	1412.46	1453.56	1494.65	100
120	1054.24	1098.41	1142.59	1186.77	1230.94	1275.12	1319.30	1363.47	1407.65	1451.83	1496.00	1540.18	120
140	1066.23	1113.14	1160.06	1206.97	1253.89	1300.81	1347.72	1394.64	1441.56	1488.47	1535.39	1582.31	140
160	1077.86	1127.86	1177.86	1227.85	1277.85	1327.85	1377.84	1427.84	1477.83	1527.83	1577.83	1627.82	160
180	1089.85	1142.94	1196.03	1249.11	1302.20	1355.28	1408.37	1461.46	1514.54	1567.63			180
200	1101.50	1157.33	1213.15	1268.98	1324.81	1380.63	1436.46	1492.28	1548.11				200
220	1113.49	1172.40	1231.30	1290.21	1349.11	1408.02	1466.93	1525.83					220
240	1125.13	1187.12	1249.10	1311.09	1373.07	1435.06	1497.04						240
260	1137.12	1201.85	1266.57	1331.30	1396.02	1460.75							260
280	1148.77	1216.58	1284.40	1352.21	1420.03								280
300	1160.75	1231.30	1301.86	1372.41	1442.97								300
320	1172.40	1246.03	1319.67	1393.30									320
340	1184.39	1261.10	1337.82	1414.53									340

Supplied with standard 0928 rocker switch. Programmable rocker switch (0937) available as an optional accessory.

All prices shown exclude VAT



Venetian Blind Systems

SG 8250 (25mm)

Electrically operated Venetian Blind System.

System with 24v motor 8060.

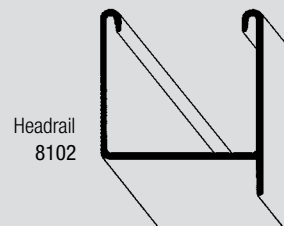
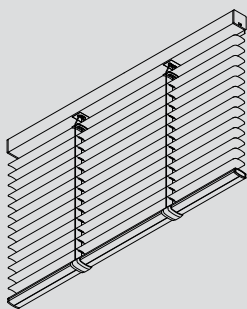
Maximum System Width: 300cm

Minimum System Width: 65cm*

Maximum System Drop: 340cm

Maximum Surface Area: 5m²

* Please refer to Catalogue pages



The prices in the tables below and on the following page comprise the complete system made-to-measure with 25mm slats ready to hang with universal snap bracket 8201. If sizes lie between the measurements shown, the price for the next size larger will apply. For multicoloured blinds add 20% to prices below for each colour. For side-guided/sloping version add 20% to prices below.

Price Group 1

Price Category C

Width Drop cm	80cm	100cm	120cm	140cm	160cm	180cm	200cm	220cm	240cm	260cm	280cm	300cm	Width Drop cm
100	847.59	888.16	928.72	969.23	1009.82	1050.35	1090.89	1131.47	1171.96	1212.56	1253.04	1293.69	100
120	854.87	897.06	939.09	981.40	1023.55	1065.76	1107.90	1150.11	1192.24	1234.41	1276.61	1318.79	120
140	862.17	905.94	949.72	993.52	1037.31	1081.12	1124.91	1168.74	1212.53	1256.32	1300.15	1343.88	140
160	869.39	914.85	960.25	1005.71	1051.10	1096.52	1141.92	1187.34	1232.80	1278.19	1323.61	1369.06	160
180	876.69	923.69	970.74	1017.83	1064.89	1111.95	1158.96	1205.94	1253.02	1300.10			180
200	883.95	932.64	981.35	1029.97	1078.67	1127.31	1175.91	1224.64	1273.30				200
220	891.23	941.55	991.84	1042.11	1092.42	1142.70	1192.97	1243.28					220
240	898.45	950.41	1002.35	1054.29	1106.18	1158.11	1209.97						240
260	905.74	959.33	1012.86	1066.40	1119.95	1173.50							260
280	913.01	968.26	1023.38	1078.56	1133.71								280
300	920.29	977.11	1033.92	1090.73	1147.49								300
320	927.61	986.03	1044.41	1102.84									320
340	934.81	994.90	1054.92	1115.02									340

Price Group 2

Price Category C

Width Drop cm	80cm	100cm	120cm	140cm	160cm	180cm	200cm	220cm	240cm	260cm	280cm	300cm	Width Drop cm
100	883.33	927.16	971.00	1014.84	1058.68	1102.51	1146.35	1190.19	1234.02	1277.86	1321.70	1365.53	100
120	891.89	937.64	983.39	1029.15	1074.90	1120.65	1166.40	1212.16	1257.91	1303.66	1349.41	1395.17	120
140	900.11	947.87	995.63	1043.39	1091.15	1138.91	1186.67	1234.43	1282.20	1329.96	1377.72	1425.48	140
160	908.67	958.35	1008.04	1057.73	1107.41	1157.10	1206.79	1256.48	1306.16	1355.85	1405.54	1455.23	160
180	916.89	968.55	1020.22	1071.88	1123.54	1175.21	1226.87	1278.54	1330.20	1381.87			180
200	925.10	979.95	1034.80	1089.65	1144.49	1199.34	1254.19	1309.04	1363.88				200
220	933.65	989.20	1044.73	1100.26	1155.78	1211.31	1266.84	1322.37					220
240	941.89	999.38	1056.86	1114.35	1171.83	1229.32	1286.80						240
260	950.45	1009.87	1069.29	1128.72	1188.14	1247.56							260
280	958.67	1020.07	1081.47	1142.87	1204.27								280
300	967.24	1030.56	1093.87	1157.18	1220.50								300
320	975.46	1040.74	1106.02	1171.31									320
340	983.68	1050.90	1118.12	1185.33									340

Price Group 3

Price Category C

Width Drop cm	80cm	100cm	120cm	140cm	160cm	180cm	200cm	220cm	240cm	260cm	280cm	300cm	Width Drop cm
100	1158.70	1198.09	1237.47	1276.86	1316.25	1355.63	1395.02	1434.41	1473.80	1513.18	1552.57	1591.96	100
120	1169.66	1211.78	1253.91	1296.04	1338.17	1380.29	1422.42	1464.55	1506.67	1548.80	1590.93	1633.05	120
140	1180.62	1225.48	1270.35	1315.22	1360.08	1404.95	1449.82	1494.68	1539.55	1584.42	1629.28	1674.15	140
160	1191.58	1239.18	1286.79	1334.40	1382.00	1429.61	1477.22	1524.82	1572.43	1620.04	1667.64	1715.25	160
180	1202.54	1252.88	1303.23	1353.57	1403.92	1454.27	1504.61	1554.96	1605.31	1655.65			180
200	1213.49	1266.58	1319.67	1372.75	1425.84	1478.93	1532.01	1585.10	1638.18				200
220	1224.46	1280.29	1336.12	1391.94	1447.77	1503.59	1559.42	1615.25					220
240	1235.42	1293.99	1352.55	1411.12	1469.69	1528.25	1586.82						240
260	1246.38	1307.69	1368.99	1430.30	1491.60	1552.91							260
280	1257.34	1321.39	1385.43	1449.48	1513.52								280
300	1268.30	1335.09	1401.87	1468.66	1535.44								300
320	1279.26	1348.79	1418.31	1487.84									320
340	1290.22	1362.48	1434.75	1507.01									340

Supplied with standard 0928 rocker switch. Programmable rocker switch (0937) available as an optional accessory.

All prices shown exclude VAT

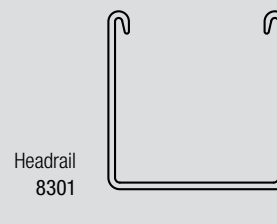
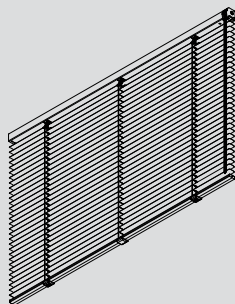


Venetian Blind Systems

SG 8300 (16mm)

Mono control Venetian Blind System.
Slats 16mm.

Maximum System Width: 3m
Minimum System Width: 50cm
Maximum System Drop: 3m
Maximum Surface Area: 4.5m²



The prices in the tables below comprise the complete system made-to-measure with 16mm slats ready to hang. If sizes lie between the measurements shown, the price for the next size larger will apply. For side-guide or sloping add 20%.

Price Group 1

Price Category C

Width Drop cm	60cm	80cm	100cm	120cm	140cm	160cm	180cm	200cm	220cm	240cm	260cm	280cm	300cm	Width Drop cm
100	311.00	344.57	378.13	411.70	445.27	478.84	512.40	545.97	579.54	613.11	646.68	680.24	713.81	100
120	318.19	353.81	389.42	425.04	460.66	496.27	531.89	567.51	603.13	638.74	674.36	709.98	745.60	120
140	325.73	363.39	401.06	438.73	476.40	514.06	551.73	589.40	627.06	664.73	702.40	740.07	777.73	140
160	332.92	372.64	412.37	452.10	491.83	531.55	571.28	611.01	650.73	690.46	730.19	769.91	809.64	160
180	340.45	382.22	424.00	465.78	507.55	549.33	591.11	632.88	674.66	716.44				180
200	347.99	391.82	435.66	479.50	523.33	567.17	611.01	654.84	698.68					200
220	355.17	401.07	446.97	492.87	538.76	584.66	630.56	676.45						220
240	362.71	411.00	459.29	507.57	555.86	604.15	652.43							240
260	370.25	420.60	470.95	521.29	571.64	621.99								260
280	377.44	429.84	482.24	534.63	587.03	639.42								280
300	384.97	439.43	493.89	548.34	602.80									300

Price Group 2

Price Category C

Width Drop cm	60cm	80cm	100cm	120cm	140cm	160cm	180cm	200cm	220cm	240cm	260cm	280cm	300cm	Width Drop cm
100	360.65	399.35	438.05	476.75	515.44	554.14	592.84	631.53	670.23	708.93	747.63	786.32	825.02	100
120	369.22	410.66	452.10	493.53	534.97	576.41	617.85	659.28	700.72	742.16	783.59	825.03	866.47	120
140	377.78	421.62	465.46	509.29	553.13	596.97	640.80	684.64	728.48	772.31	816.15	859.99	903.83	140
160	386.34	432.58	478.82	525.05	571.29	617.53	663.76	710.00	756.24	802.47	848.71	894.95	941.18	160
180	394.91	443.55	492.19	540.82	589.46	638.10	686.73	735.37	784.01	832.64				180
200	403.47	454.51	505.54	556.58	607.62	658.65	709.69	760.73	811.76					200
220	412.03	465.46	518.88	572.31	625.74	679.16	732.59	786.01						220
240	420.60	476.43	532.25	588.08	643.90	699.73	755.56							240
260	429.16	487.39	545.61	603.84	662.06	720.29								260
280	438.07	498.68	559.30	619.92	680.53	741.15								280
300	446.63	509.65	572.68	635.71	698.73									300

Price Group 3

Price Category C

Width Drop cm	60cm	80cm	100cm	120cm	140cm	160cm	180cm	200cm	220cm	240cm	260cm	280cm	300cm	Width Drop cm
100	441.15	488.76	536.36	583.97	631.58	679.18	726.79	774.40	822.00	869.61	917.22	964.82	1012.43	100
120	451.77	502.45	553.14	603.83	654.51	705.20	755.89	806.57	857.26	907.95	958.63	1009.32	1060.00	120
140	462.39	515.81	569.24	622.67	676.09	729.52	782.94	836.37	889.80	943.22	996.65	1050.07	1103.50	140
160	473.00	529.50	586.01	642.51	699.02	755.53	812.03	868.54	925.04	981.55	1038.05	1094.56	1151.07	160
180	483.28	542.87	602.47	662.06	721.66	781.26	840.85	900.45	960.04	1019.64				180
200	493.90	556.23	618.57	680.90	743.24	805.57	867.91	930.24	992.58					200
220	504.51	569.93	635.35	700.76	766.18	831.59	897.01	962.42						220
240	515.13	583.63	652.12	720.62	789.11	857.61	926.10							240
260	525.40	596.64	667.87	739.11	810.34	881.58								260
280	536.02	610.35	684.67	759.00	833.32	907.65								280
300	546.64	624.05	701.45	778.86	856.26									300

Child safety device (10482) – add on £12.85.

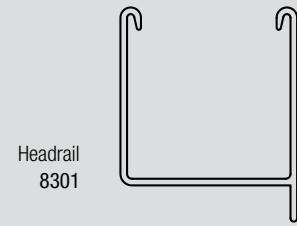
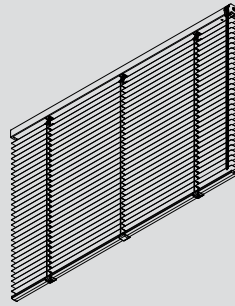
All prices shown exclude VAT



Venetian Blind Systems

SG 8300 (25mm)

Mono control Venetian Blind System.
 Slats 25mm.
 Maximum System Width: 3m
 Minimum System Width: 50cm
 Maximum System Drop: 3m
 Maximum Surface Area: 4.5m²



The prices in the tables below comprise the complete system made-to-measure with 25mm slats ready to hang. If sizes lie between the measurements shown, the price for the next size larger will apply. For side-guide or sloping add 20%.

Price Group 1

Price Category C

Width ▶ Drop ▼ cm	60cm	80cm	100cm	120cm	140cm	160cm	180cm	200cm	220cm	240cm	260cm	280cm	300cm	◀ Width ▼ Drop cm
100	303.80	333.25	362.69	392.14	421.59	451.04	480.48	509.93	539.38	568.83	598.28	627.72	657.17	100
120	309.97	341.14	372.30	403.47	434.64	465.81	496.98	528.14	559.31	590.48	621.65	652.81	683.98	120
140	316.48	349.36	382.23	415.11	447.99	480.87	513.74	546.62	579.50	612.38	645.25	678.13	711.01	140
160	322.64	357.22	391.81	426.40	460.99	495.57	530.16	564.75	599.34	633.92	668.51	703.10	737.69	160
180	329.15	365.45	401.76	438.07	474.38	510.68	546.99	583.30	619.61	655.91				180
200	335.66	373.67	411.69	449.71	487.73	525.74	563.76	601.78	639.79					200
220	341.83	381.55	421.28	461.01	500.73	540.46	580.19	619.92						220
240	348.33	389.77	431.22	472.67	514.11	555.56	597.01							240
260	354.50	397.65	440.81	483.97	527.12	570.28								260
280	361.00	405.87	450.74	495.61	540.47	585.34								280
300	367.16	413.74	460.32	506.89	553.47									300

Price Group 2

Price Category C

Width ▶ Drop ▼ cm	60cm	80cm	100cm	120cm	140cm	160cm	180cm	200cm	220cm	240cm	260cm	280cm	300cm	◀ Width ▼ Drop cm
100	370.59	406.21	441.83	477.45	513.06	548.68	584.30	619.92	655.53	691.15	726.77	762.39	798.00	100
120	378.12	416.14	454.16	492.18	530.19	568.21	606.23	644.24	682.26	720.28	758.30	796.31	834.33	120
140	386.00	426.08	466.16	506.23	546.31	586.39	626.47	666.54	706.62	746.70	786.78	826.85	866.93	140
160	393.88	436.01	478.14	520.26	562.39	604.52	646.64	688.77	730.90	773.03	815.15	857.28	899.41	160
180	401.42	445.60	489.78	533.95	578.13	622.31	666.48	710.66	754.84	799.01				180
200	409.29	455.53	501.76	548.00	594.24	640.47	686.71	732.95	779.18					200
220	417.17	465.47	513.76	562.06	610.36	658.65	706.95	755.25						220
240	424.71	475.40	526.08	576.77	627.46	678.14	728.83							240
260	432.59	485.34	538.08	590.83	643.57	696.32								260
280	440.12	494.92	549.71	604.51	659.30	714.10								280
300	448.00	504.85	561.71	618.57	675.42									300

Price Group 3

Price Category C

Width ▶ Drop ▼ cm	60cm	80cm	100cm	120cm	140cm	160cm	180cm	200cm	220cm	240cm	260cm	280cm	300cm	◀ Width ▼ Drop cm
100	486.02	532.94	579.87	626.80	673.72	720.65	767.58	814.50	861.43	908.36	955.28	1002.21	1049.14	100
120	495.95	545.61	595.28	644.94	694.61	744.28	793.94	843.61	893.28	942.94	992.61	1042.28	1091.94	120
140	506.22	558.63	611.04	663.44	715.85	768.26	820.66	873.07	925.48	977.88	1030.29	1082.69	1135.10	140
160	516.50	571.65	626.80	681.94	737.09	792.23	847.38	902.53	957.67	1012.82	1067.97	1123.11	1178.26	160
180	526.43	584.32	642.21	700.09	757.98	815.86	873.75	931.64	989.52	1047.41				180
200	536.70	597.33	657.95	718.58	779.21	839.83	900.46	961.08	1021.71					200
220	546.98	610.35	673.71	737.08	800.44	863.81	927.18	990.54						220
240	556.91	623.36	689.80	756.25	822.69	889.14	955.58							240
260	567.19	636.38	705.56	774.75	843.93	913.12								260
280	577.47	649.39	721.32	793.24	865.17	937.09								280
300	587.40	662.06	736.73	811.39	886.06									300

Child safety device (10482) – add on £12.85.

All prices shown exclude VAT



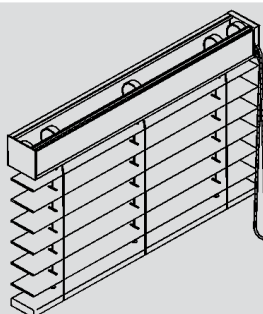
Venetian Blind Systems

SG 8910 Wooden Slat

Mono control wooden slat Venetian Blind System.
Bass wood slat 50mm.

SG 8960

Electrically operated Venetian Blind System.
Average operating speed 3cm/sec.



The prices in the table below comprise the complete system made-to-measure with 50mm slats ready to hang with universal bracket 8920. If sizes lie between the measurements shown, the price for the next size larger will apply. Headrail covered with actual slat to match. For F.R. treated wood please add £155.76/m² to prices below.

SG 8910 – 50mm Slat size

Max. system width: 240cm Min. system width: 65cm
Max. system drop: 275cm Max. surface area: 4.6m² Price Category C

Width ► Drop ▼ cm	80cm	100cm	120cm	140cm	160cm	180cm	200cm	220cm	240cm	◀ Width ▼ Drop cm
80	377.13	465.14	493.80	611.78	637.10	736.43	805.19	836.67	894.00	80
90	386.11	475.42	505.34	627.57	654.33	755.03	828.02	861.07	919.63	90
100	395.07	485.67	516.84	643.33	671.49	773.66	850.84	885.43	945.21	100
110	408.48	501.07	534.15	666.89	697.25	801.58	885.07	921.89	983.48	110
120	432.23	564.53	564.53	682.63	714.47	820.16	907.90	946.26	1009.08	120
130	455.99	556.59	594.93	698.38	731.66	838.76	930.74	970.62	1034.65	130
140	476.05	579.54	620.71	729.96	766.04	875.98	976.33	1019.27	1085.75	140
150	483.57	588.13	630.43	741.76	778.96	889.97	993.50	1037.55	1104.94	150
160	491.06	596.70	640.07	753.54	791.82	903.98	1010.61	1055.80	1124.11	160
170	511.14	619.67	665.79	785.02	826.12	941.18	1033.41	1104.44	1175.23	170
180	532.26	644.20	692.88	817.28	860.96	979.47	1056.28	1128.81	1200.77	180
190	553.39	668.70	720.02	849.48	895.70	1017.68	1101.87	1153.20	1226.32	190
200	569.33	686.99	740.57	874.63	923.07	1047.36	1136.14	1189.71		200
210	580.01	699.16	754.28	891.38	941.34	1067.13	1158.98			210
220	590.69	711.31	767.95	908.14	959.59	1086.85	1181.78			220
230	611.93	735.65	795.32	941.53	996.13	1126.44	1227.40			230
240	619.98	744.80	805.60	954.13	1009.82	1139.76				240
250	627.98	753.96	815.85	966.70	1023.50	1156.10				250
260	649.24	778.28	843.23	1000.17	1060.03	1195.69				260
275	673.41	799.28	864.20	1021.16	1078.67					275

50mm Slat

Slat Description

Basswood Collection - Use above price chart		Bamboo Collection - Use above price chart plus 30%	
Alabaster	Sin	Arcana	Innocent
Alpine	Soft White	Armour	Karri
Clay	Stark	Cinder	Mari
Golden Oak	Storm	Cyber	Neo
Light Oak	Walnut	Darita	Zaya
Linen	Yarrin	Flax	
Mystic		Haze	

Wooden slat Venetian blinds are made with natural wood. It is therefore an inherent feature of the product that variation in shade and graining as well as slight warping may occur.

TAPED VENETIAN System 8910 is available with fabric tapes at an additional cost of 7-5%.
Please enquire at Silent Gliss for information about the colours available.

SG 8960 – Electrically Operated Venetian Blind System (50mm wooden slat)

Max. system width: 240cm Min. system width: 65cm
Max. system drop: 275cm Max. surface area: 4.6m²

Electrically operated with integral 230v motor no. 11095. Supplied with special recess switch 0613 as standard.
For pricing, add to relevant price in table above the sum of £1058.09.

8960 Control Options

Radio control standard option is with Control N. Please see Page 26 for external receivers control options.
System 8960 is available with fabric tapes at an additional cost of 7-5%.

SIDE-GUIDES are available for both systems at an additional cost of £36.33.

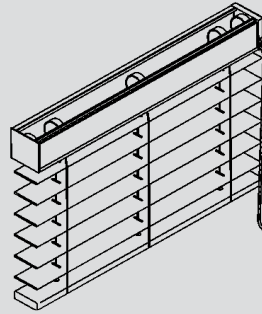
All prices shown exclude VAT



Venetian Blind Systems

SG 8910 Aluminium Slat

Mono control Venetian Blind System.
Aluminium slat 50mm.



SG 8960

Electrically operated Venetian Blind System.
Average operating speed 3cm/sec.

The prices in the table below comprise the complete system made-to-measure with 50mm slats ready to hang with universal bracket 8920. If sizes lie between the measurements shown, the price for the next size larger will apply. Headrail covered with actual slat to match. Plus coordinating or contrasting component options. Please refer to 8910 catalogue for recommended (standard) colour combinations. Multicoloured blinds please add 20% to prices below.

SG 8910 – 50mm Slat size

Max. system width: 360cm Min. system width: 65cm
Max. system drop: 360cm Max. surface area: 10m²

Price Category C

Width Drop cm	60cm	80cm	100cm	120cm	140cm	160cm	180cm	200cm	220cm	240cm	260cm	280cm	300cm	320cm	340cm	360cm	Width Drop cm
60	256.21	290.47	317.74	364.16	391.42	431.47	458.73	489.66	509.23	535.60	563.18	589.54	613.30	643.49	667.25	691.02	60
70	260.51	297.16	324.90	373.65	401.39	443.78	472.42	504.77	525.73	553.52	582.54	610.29	635.48	667.04	692.24	717.44	70
80	264.85	302.89	332.97	382.19	412.27	456.08	485.25	519.89	542.22	571.45	601.85	631.02	657.60	691.55	717.22	742.90	80
90	270.11	308.62	340.13	391.69	423.14	467.43	498.94	534.96	557.88	589.34	621.21	652.67	679.77	715.10	743.10	771.12	90
100	274.45	315.30	347.29	400.23	433.12	479.74	512.63	549.18	574.37	607.26	640.52	673.40	701.95	738.65	768.09	797.53	100
110	278.75	321.03	355.35	409.72	443.99	491.99	525.41	564.30	590.92	625.19	659.83	694.15	724.97	763.11	793.03	822.94	110
120	283.11	326.76	362.51	418.26	454.01	503.40	539.09	579.41	609.33	645.03	681.10	716.80	749.05	788.57	820.82	853.07	120
130	288.35	333.44	370.57	427.76	464.89	515.70	552.83	588.38	625.83	662.96	700.41	737.54	771.22	812.18	845.81	879.43	130
140	292.71	339.17	377.68	436.30	474.86	527.05	568.43	603.44	642.32	680.88	719.76	758.28	793.34	835.72	871.64	907.54	140
150	297.00	344.90	384.84	445.79	485.74	539.36	581.22	617.66	658.87	698.81	739.08	779.02	815.51	860.17	896.62	933.07	150
160	301.35	351.58	392.90	454.33	495.71	553.57	594.90	632.77	675.37	716.75	758.44	799.76	838.53	883.73	921.60	959.48	160
170	306.60	357.31	400.06	463.83	506.58	564.93	608.59	647.89	691.02	734.68	777.74	821.40	860.71	907.29	947.49	987.70	170
180	310.95	363.04	408.13	472.37	519.37	577.23	621.42	663.01	744.97	790.00	834.56	879.59	920.27	969.19	1009.87	1050.56	180
190	315.24	369.73	415.29	481.80	529.34	589.49	635.11	678.07	761.46	807.93	853.87	900.33	942.45	992.73	1034.85	1076.97	190
200	319.60	375.46	422.45	492.31	540.21	600.89	648.80	721.68	777.96	825.85	892.54	921.08	987.65	1016.34	1060.75	1105.14	200
210	324.85	381.18	430.51	501.75	550.18	613.20	662.48	736.80	794.51	843.79	911.85	941.81	1009.82	1039.90	1085.77	1131.56	210
220	329.20	387.87	437.68	510.34	561.06	625.46	704.65	751.91	811.00	861.72	931.20	962.56	1031.94	1064.35	1110.66	1156.97	220
230	333.54	393.59	447.60	519.79	571.03	636.86	718.38	766.98	827.50	879.64	950.51	983.35	1054.11	1086.84	1136.54	1185.18	230
240	337.84	399.32	454.76	536.92	581.91	678.55	732.07	782.10	844.05	897.57	969.88	1004.09	1076.29	1111.45	1161.53	1211.60	240
250	342.20	405.11	461.91	546.42	591.88	689.90	744.85	796.31	859.65	914.60	990.09	1024.83	1099.31	1135.06	1186.51	1237.97	250
260	347.45	411.73	469.98	554.95	602.75	702.21	758.54	811.43	876.15	932.53	1009.45	1046.47	1121.47	1159.51	1212.34	1265.18	260
270	351.80	419.37	477.14	564.45	643.01	714.46	772.23	826.54	892.69	950.41	1028.75	1067.21	1143.65	1183.06	1237.33	1291.59	270
280	356.09	425.15	485.20	572.99	652.99	725.87	785.91	841.61	909.19	968.33	1048.12	1087.96	1165.77	1206.61	1263.21		280
290	360.44	431.79	492.36	572.99	663.86	738.17	798.75	856.73	925.69	986.27	1067.42	1108.69	1187.94	1231.07	1288.20		290
300	365.69	437.51	499.53	582.49	673.83	750.43	812.43	870.95	942.23	1004.20	1086.78	1129.44	1210.96	1254.67			300
310	370.04	443.30	507.58	591.02	684.70	761.83	826.12	886.07	958.73	1022.12	1106.10	1150.17	1233.14	1278.23			310
320	374.34	449.92	514.75	600.52	694.74	774.14	841.14	901.13	975.23	1040.05	1125.46	1170.91	1233.14				320
330	378.69	455.66	522.76	609.06	705.60	786.39	856.39	916.25	991.73	1057.99	1144.76	1191.66	1255.31				330
340	383.94	461.44	529.92	618.56	716.48	797.80	869.80	931.37	1007.38	1075.91	1164.76	1213.30					340
350	388.29	468.07	537.08	627.09	726.45	810.05	884.05	945.58	1023.87	1093.84	1164.13	1234.04					350
360	392.58	473.80	545.15	636.59	737.33	822.35	898.35	960.65	1040.42	1111.77	1254.78						360

SG 8960 – Electrically Operated Venetian Blind System (50mm aluminium slat)

Max. system width: 360cm Min. system width: 65cm
Max. system drop: 360cm Max. surface area: 10m²

Electrically operated integral 230v motor no. 11095. Supplied with special recess switch 0613 as standard. For pricing, add to relevant price in table above the sum of **£1058.09**

8960 Control Options

Radio control standard option is with Control N. Please see Page 26 for external receivers control options. **SIDE-GUIDES** are available for both systems at an additional cost of **£36.33**

All prices shown exclude VAT



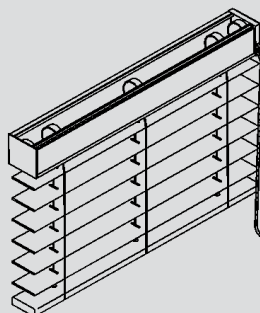
Venetian Blind Systems

SG 8910 Leather Slat

Mono control leather slat Venetian Blind System with low descent mechanism (50mm).

SG 8960

Electrically operated Venetian Blind System. Average operating speed 3cm/sec.



The prices in the table below comprise the complete system made-to-measure with 50mm slats ready to hang with universal bracket 8920. If sizes lie between the measurements shown, the price for the next size larger will apply. Plus coordinating or contrasting component options. Please refer to 8910 catalogue for recommended (standard) colour combinations. Leather venetian slats are a natural product, therefore slight variations in colour and texture are an inherent feature. Headrails are sprayed to match system colour as standard. Due to the varying sizes of hides, blinds over 1.4m wide may require a join in the leather. Please consult Silent Gliss for more information.

SG 8910 – 50mm Slat size

Max. system width: 240cm Min. system width: 65cm
 Max. system drop: 275cm Max. surface area: 4.6m²

Price Category C

Width ► Drop ▼ cm	80cm	100cm	120cm	140cm	160cm	180cm	200cm	220cm	240cm	◀ Width ▼ Drop cm
80	753.71	898.65	1062.32	1207.16	1368.38	1512.61	1657.46	1806.06	1921.44	80
90	822.24	984.23	1165.71	1327.68	1505.27	1667.22	1829.24	1994.24	2123.84	90
100	891.42	1069.84	1268.43	1447.48	1642.82	1821.91	2000.36	2183.14	2326.39	100
110	959.93	1156.07	1371.75	1567.95	1780.39	1975.91	2172.07	2371.97	2528.93	110
120	1028.43	1241.69	1474.46	1687.76	1917.30	2130.56	2343.87	2562.71	2733.32	120
130	1097.63	1327.97	1577.84	1808.18	2054.89	2285.24	2517.47	2751.60	2935.87	130
140	1166.15	1413.57	1680.53	1927.97	2191.79	2441.74	2689.26	2940.44	3138.44	140
150	1234.61	1499.18	1783.93	2048.46	2329.33	2595.76	2860.34	3129.32	3340.97	150
160	1303.78	1585.47	1886.58	2168.29	2468.78	2750.45	3032.09	3318.17	3543.52	160
170	1372.28	1671.08	1989.95	2288.76	2605.69	2905.13	3203.88	3506.34	3745.91	170
180	1440.78	1757.31	2092.66	2411.09	2743.23	3059.13	3375.66	3723.94	3977.18	180
190	1509.98	1842.92	2196.06	2530.89	2880.81	3213.75	3547.39	3912.76		190
200	1578.48	1928.50	2300.63	2651.37	3017.70	3368.43	3747.19	4101.65		200
210	1646.98	2014.79	2403.96	2771.14	3155.25	3523.13	3918.99	4290.54		210
220	1716.11	2100.43	2506.67	2891.61	3292.83	3705.76	4090.70			220
230	1784.64	2188.54	2610.07	3011.41	3429.74	3860.47	4262.48			230
240	1853.12	2274.15	2712.77	3132.57	3596.01	4015.16				240
250	1921.62	2359.73	2815.44	3251.70	3732.91	4169.12				250
260	1990.83	2446.02	2918.79	3372.14	3870.45					260
275	2061.19	2531.63	3021.49	3521.32	4008.04					275

SG 8960 – Electrically Operated Venetian Blind System (50mm leather slat)

Max. system width: 240cm Min. system width: 65cm
 Max. system drop: 275cm Max. surface area: 4.6m²

Electrically operated with integral 230v motor no. 11095. Supplied with special recess switch 0613 as standard. For pricing, add to relevant price in table above the sum of **£1058.09**

8960 Control Options

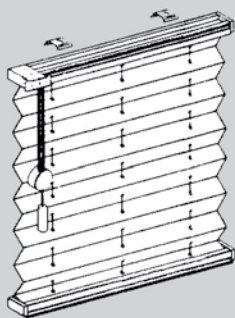
Radio control standard option is with Control N. Please see Page 26 for external receivers control options.

SIDE-GUIDES are available for both systems at an additional cost of **£36.33**.

All prices shown exclude VAT



Pleated Blind Systems



SG 8500

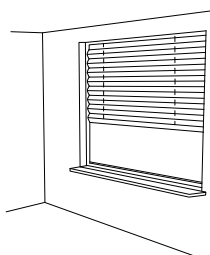
Pleated Blind System supplied complete ready made.
White aluminium head and bottom rail. Pleats 20mm.

Category C

Pleated Blind Systems are supplied made-to-measure, ready to install. White aluminium headrail and components are supplied as standard, brushed aluminium, grey and anthracite are also available. For special colours see Page 67.

Please use our technical information leaflet to determine the required Plissée model and contact Silent Gliss for a price.

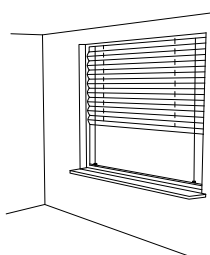
Choose from following model types:



Model Type 'A' – Vertical Freehanging

Chain Operation: AK10

Pull Cord Operation: A010, A040, A070



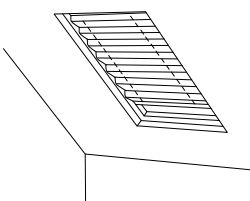
Model Type 'B' – Vertical Side-Guide

Handle Operation: BB10, BB10U, BB15, BB20, BB20U, BB24, BB30, BB30U, BB34, BB35, BB40, BB80, BB81

Chain Operation: BK10

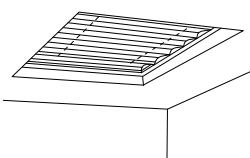
Pull Cord Operation: B010, B020, B075

Fixed: BF50, BF51



Model Type 'D' – Inclined

Handle Operation: DB10, DB10U, DB20, DB20U



Model Type 'P' – Horizontal

Handle Operation: PB10, PB40, PB41, PB60, PB61, PB70, PB71, PB80, PB81

Crank Operation: PR10, PR11

PRICING: Price on application – please contact Silent Gliss

All prices shown exclude VAT



Logo and Digital Printing

We are able to print logos and images on a wide variety of fabrics, including Screens, Element, Mercurio and Colorama. It is important to note that the denser the fabric, the better the quality of the image transfer.

Suitable artwork must be provided on vector files with a reasonable size and high d.p.i. (dots per inch). Prices on application.

For more information please see Digital Printing brochure.

Special Colours – Profile and Components

Standard stock colours are indicated and priced accordingly on the relevant system page.

In addition, any UK powder manufacturer's standard/stock RAL or BS colour may also be matched by spraying.

The following charges will apply:

	Price Ctg.
Set-up charge (1 per colour)	E
Standard/Classic Range stock RAL or BS colours:	£321.00
*Standard Silent Gliss colours (excluding chrome effect):	£153.00
Non-standard RAL or BS colours:	POA
Plus add the following prices to the relevant assembled system price (use silver finish):	
£17.00 per metre of profile	
£12.05 per set of endcovers/wall supports/endpieces/cord guides	
For tracks with sprayable brackets please use bracket spraying cost below.	
Note:	
Profile should not be bent once sprayed.	
Maximum sprayed profile length is 6 metres.	
Nylon components sprayed to colour match may sustain damage in the future.	
*Standard Silent Gliss colours are not available on Pleated SG 8500 blinds or Skylight Systems SG 8600 or SG 8640.	

Metropole Coloured Extension Brackets

E

Spray charge: £9.91 per bracket and bracket cover
Drilling charge: £5.96 per bracket
Lead time approx. 6 weeks.

*Only those brackets offered in Chrome are available in Chrome. Chroming of other brackets not possible.



Made-to-measure Curtains

Wave Curtains



Curtain prices need to be added to the Silent Gliss hardware prices. Prices are for unlined curtains.

For standard lining add 10% or for blackout lining add 15%. For FR lining contact Silent Gliss

Price Category A

Price Group 1 Fabrics

Colorama 1
Colorama 1 Alu
Colorama 1 Bioactive
Colorama 1 Eco
Colorama 1 Multicolour
Colorama Acoustic
Colorama Acoustic Multicolour
Oscurante
Polyflax
Someo

Width ► Drop ▼	150cm	200cm	250cm	300cm	350cm	400cm	450cm	500cm	550cm	600cm	◀ Width ▼ Drop
Up to 300cm	486.70	648.89	811.16	973.34	1135.61	1297.82	1460.04	1622.25	1784.46	1946.68	Up to 9'10"
301-350cm	729.21	973.34	1217.49	1461.62	1705.77	1949.92	2194.04	2438.19	2682.33	2926.47	9'10"-11'5"
351-400cm	838.42	1119.52	1400.61	1681.68	1962.74	2243.86	2524.94	2806.02	3087.10	3368.19	11'5"-13'1"

Price Group 2 Fabrics

Colorama 2
Colorama 2 Bioactive
Colorama 2 Eco
Colorama 2 Multicolour
Leviso
Leviso Light
Multicolour Natura
Multicolour Panama
Somnia
Valere

Width ► Drop ▼	150cm	200cm	250cm	300cm	350cm	400cm	450cm	500cm	550cm	600cm	◀ Width ▼ Drop
Up to 300cm	668.17	889.84	1111.48	1333.14	1554.81	1776.43	1998.11	2219.74	2441.40	2663.05	Up to 9'10"
301-350cm	1002.26	1334.73	1667.22	1999.69	2332.20	2664.66	2997.14	3329.65	3662.12	3994.61	9'10"-11'5"
351-400cm	1153.25	1535.52	1917.80	2300.06	2682.31	3064.59	3446.87	3829.14	4211.42	4593.69	11'5"-13'1"

Price Group 3 Fabrics

Colorama Dimout
Multicolour Dimout
Reflex

Width ► Drop ▼	150cm	200cm	250cm	300cm	350cm	400cm	450cm	500cm	550cm	600cm	◀ Width ▼ Drop
Up to 300cm	1304.25	1737.91	2171.56	2605.22	3038.90	3472.57	3906.25	4339.92	4773.58	5207.25	Up to 9'10"
301-350cm	1956.31	2606.85	3257.34	3907.87	4558.35	5208.87	5859.37	6509.89	7160.39	7810.91	9'10"-11'5"
351-400cm	2248.68	2997.14	3745.64	4494.11	5242.59	5991.07	6739.56	7488.04	8236.52	8985.00	11'5"-13'1"

Covered Wave Heading

Available at an extra cost of £36.07 Per Metre width (of track).

(Please consider that the additional fold of fabric does mean that the maximum possible curtain drop will be slightly reduced. This flap uses 170mm of additional fabric which impacts on the maximum drop possible for curtains without turning and joining. So if you are specifying particularly long curtains please check first). Also consider that the thickness of the heading will increase slightly and therefore the stack size.

Fabric Joining Information for Wave and SWISS Pleat Curtains

By reducing the number of joins the overall curtain appearance improves. The table below indicates the maximum drop available **without joins** for each fabric.

Max drop 170cm	Max drop 200cm	Max drop 240cm	Max drop 260cm	Max drop 280cm	Max drop 290cm	Max drop 300cm
Valere	Reflex	Colorama 1 Alu Somnia Leviso Leviso Light	Oscurante Someo	Colorama Dimout Multicolour Dimout	Colorama 1 Multicolour Colorama 2 Multicolour Colorama Acoustic Colorama Acoustic Multicolour Polyflax Multicolour Natura Multicolour Panama	Colorama 1 Colorama 1 Bioactive Colorama 1 Eco Colorama 2 Colorama 2 Bioactive Colorama 2 Eco

We recommend (for Wave) that if dim-out and black-out fabrics have to be made with joins (due to the drop required - see above table) then they should be lined to reduce pinholes.

Our Wave curtain heading system is designed to encourage fabric to hang in a soft, continuous wave form from the top to the bottom of the curtain. However, the weave and design of some fabrics does not allow this floor-to-ceiling shape when using the 60mm glider cord. Therefore, we do not recommend the following fabrics are specified with 60mm Wave glider-cord:

Leviso
Leviso Light
Somnia
Colorama Dimout

Multicolour Panama
Multicolour Natrura
Multicolour Dimout

Colorama Dimout is not suitable for drops over 2.8m

All prices shown exclude VAT

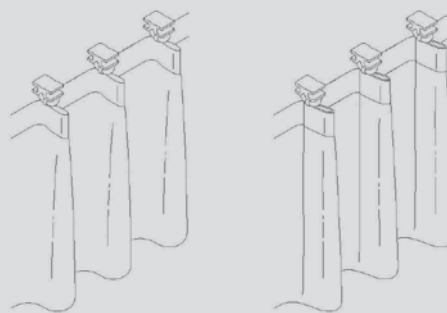


Made-to-measure Curtains

Swiss Pleat Curtains

Curtain prices need to be added to the Silent Gliss hardware prices.

Only available unlined.



Single Pleat (Approximate fullness 50%)

Price Category A

Price Group 1 Fabrics

Colorama 1
Colorama 1 Alu
Colorama 1 Bioactive
Colorama 1 Eco
Colorama 1 Multicolour
Colorama Acoustic
Colorama Acoustic Multicolour
Oscurante
Polyflax
Someo

Width ► Drop ▼	150cm	200cm	250cm	300cm	350cm	400cm	450cm	500cm	550cm	600cm	◀ Width ▼ Drop
Up to 300cm	384.04	512.01	639.96	767.93	895.89	1023.86	1151.82	1279.80	1407.77	1535.75	Up to 9'10"
301-350cm	576.07	768.00	959.94	1151.88	1343.82	1535.76	1727.70	1919.64	2111.58	2303.52	9'10"-11'5"
351-400cm	662.47	883.20	1103.90	1324.65	1545.38	1766.11	1986.84	2207.56	2428.29	2649.02	11'5"-13'1"

Price Group 2 Fabrics

Colorama 2
Colorama 2 Bioactive
Colorama 2 Eco
Colorama 2 Multicolour
Leviso
Leviso Light
Multicolour Natura
Multicolour Panama
Somnia
Valere

Width ► Drop ▼	150cm	200cm	250cm	300cm	350cm	400cm	450cm	500cm	550cm	600cm	◀ Width ▼ Drop
Up to 300cm	526.59	699.72	877.63	1053.16	1228.68	1404.68	1579.73	1755.26	1930.79	2106.31	Up to 9'10"
301-350cm	789.87	1053.16	1316.44	1611.91	1843.01	2106.29	2369.57	2632.85	2896.14	3159.42	9'10"-11'5"
351-400cm	908.34	1211.12	1513.93	1816.67	2119.45	2422.22	2725.00	3027.77	3330.55	3633.32	11'5"-13'1"

Price Group 3 Fabrics

Colorama Dimout
Multicolour Dimout
Reflex

Width ► Drop ▼	150cm	200cm	250cm	300cm	350cm	400cm	450cm	500cm	550cm	600cm	◀ Width ▼ Drop
Up to 300cm	875.46	1167.28	1459.10	1750.92	2042.74	2334.56	2626.38	2918.20	3210.02	3501.84	Up to 9'10"
301-350cm	1313.20	1750.92	2188.65	2626.37	3064.09	3501.82	3939.54	4377.27	4814.99	5252.72	9'10"-11'5"
351-400cm	1510.17	2013.56	2516.94	3020.32	3523.70	4027.09	4530.47	5033.85	5537.23	6040.61	11'5"-13'1"

Double Pleat (Approximate fullness 100%)

Price Group 1 Fabrics

Colorama 1
Colorama 1 Alu
Colorama 1 Bioactive
Colorama 1 Eco
Colorama 1 Multicolour
Colorama Acoustic
Colorama Acoustic Multicolour
Oscurante
Polyflax
Someo

Width ► Drop ▼	150cm	200cm	250cm	300cm	350cm	400cm	450cm	500cm	550cm	600cm	◀ Width ▼ Drop
Up to 300cm	512.06	682.75	853.43	1024.12	1194.80	1365.49	1536.18	1706.86	1877.55	2048.24	Up to 9'10"
301-350cm	768.08	1024.12	1280.15	1536.19	1792.22	2048.26	2304.30	2560.33	2816.37	3072.41	9'10"-11'5"
351-400cm	883.29	1177.73	1472.18	1766.62	2061.06	2355.51	2649.95	2944.39	3238.83	3533.29	11'5"-13'1"

Price Group 2 Fabrics

Colorama 2
Colorama 2 Bioactive
Colorama 2 Eco
Colorama 2 Multicolour
Leviso
Leviso Light
Multicolour Natura
Multicolour Panama
Somnia
Valere

Width ► Drop ▼	150cm	200cm	250cm	300cm	350cm	400cm	450cm	500cm	550cm	600cm	◀ Width ▼ Drop
Up to 300cm	702.16	936.22	1170.27	1404.33	1638.38	1872.44	2106.49	2340.55	2574.60	2808.65	Up to 9'10"
301-350cm	1053.25	1404.33	1755.40	2106.48	2457.55	2808.63	3159.71	3510.78	3861.86	4212.94	9'10"-11'5"
351-400cm	1211.25	1614.98	2018.72	2422.46	2826.20	3229.94	3633.68	4037.42	4441.16	4844.91	11'5"-13'1"

Price Group 3 Fabrics

Colorama Dimout
Multicolour Dimout
Reflex

Width ► Drop ▼	150cm	200cm	250cm	300cm	350cm	400cm	450cm	500cm	550cm	600cm	◀ Width ▼ Drop
Up to 300cm	1167.34	1556.45	1945.57	2334.68	2723.79	3112.91	3502.02	3891.13	4280.25	4669.36	Up to 9'10"
301-350cm	1751.02	2334.68	2918.34	3502.01	4085.67	4669.34	5253.00	5836.67	6420.33	7003.99	9'10"-11'5"
351-400cm	2013.67	2684.89	3356.11	4027.32	4698.54	5369.76	6040.98	6712.21	7383.44	8054.67	11'5"-13'1"

Fabric joining information, please see table on Page 68.

All prices shown exclude VAT

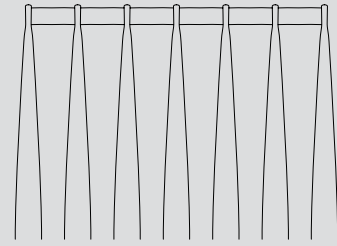


Made-to-measure Curtains

Single Pleat Curtains

Curtain prices need to be added to the Silent Gliss hardware prices.

Prices are unlined curtains. For standard lining add 10% or for blackout lining add 15%. For FR lining contact Silent Gliss.



Single Pleat (Approximate fullness 50%)

Price Category A

Price Group 1 Fabrics

Colorama 1
Colorama 1 Alu
Colorama 1 Bioactive
Colorama 1 Eco
Colorama 1 Multicolour
Colorama Acoustic
Colorama Acoustic Multicolour
Oscurante
Polyflax
Someo

Width ► Drop ▼	150cm	200cm	250cm	300cm	350cm	400cm	450cm	500cm	550cm	600cm	◀ Width ▼ Drop
Up to 300cm	384.04	512.01	639.96	767.93	895.89	1023.86	1151.82	1279.80	1407.77	1535.75	Up to 9'10"
301-350cm	576.07	768.00	959.94	1151.88	1343.82	1535.76	1727.70	1919.64	2111.58	2303.52	9'10"-11'5"
351-400cm	662.47	883.20	1103.90	1324.65	1545.38	1766.11	1986.84	2207.56	2428.29	2649.02	11'5"-13'1"

Price Group 2 Fabrics

Colorama 2
Colorama 2 Bioactive
Colorama 2 Eco
Colorama 2 Multicolour
Leviso
Leviso Light
Multicolour Natura
Multicolour Panama
Somnia
Valere

Width ► Drop ▼	150cm	200cm	250cm	300cm	350cm	400cm	450cm	500cm	550cm	600cm	◀ Width ▼ Drop
Up to 300cm	526.59	699.72	877.63	1053.16	1228.68	1404.68	1579.73	1755.26	1930.79	2106.31	Up to 9'10"
301-350cm	789.87	1053.16	1316.44	1611.91	1843.01	2106.29	2369.57	2632.85	2896.14	3159.42	9'10"-11'5"
351-400cm	908.34	1211.12	1513.93	1816.67	2119.45	2422.22	2725.00	3027.77	3330.55	3633.32	11'5"-13'1"

Price Group 3 Fabrics

*Colorama Dimout
Multicolour Dimout
Reflex

Width ► Drop ▼	150cm	200cm	250cm	300cm	350cm	400cm	450cm	500cm	550cm	600cm	◀ Width ▼ Drop
Up to 300cm	875.46	1167.28	1459.10	1750.92	2042.74	2334.56	2626.38	2918.20	3210.02	3501.84	Up to 9'10"
301-350cm	1313.20	1750.92	2188.65	2626.37	3064.09	3501.82	3939.54	4377.27	4814.99	5252.72	9'10"-11'5"
351-400cm	1510.17	2013.56	2516.94	3020.32	3523.70	4027.09	4530.47	5033.85	5537.23	6040.61	11'5"-13'1"

Fabrics in bold or lined curtains will use the 51mm depth curtain heading tape, all others will use the 70mm depth curtain heading tape.

Fabric Joining Information for Wave and SWISS Pleat Curtains

By reducing the number of joins the overall curtain appearance improves. The table below indicates the maximum drop available **without joins** for each fabric.

Max drop 170cm	Max drop 200cm	Max drop 240cm	Max drop 260cm	Max drop 280cm	Max drop 290cm	Max drop 300cm
Valere	Reflex	Colorama 1 Alu Somnia Leviso Leviso light	Oscurante Someo	*Colorama Dimout Multicolour Dimout	Colorama 1 Multicolour Colorama 2 Multicolour Colorama Acoustic Colorama Acoustic Multicolour Polyflax Multicolour Natura Multicolour Panama	Colorama 1 Colorama 1 Bioactive Colorama 1 Eco Colorama 2 Colorama 2 Bioactive Colorama 2 Eco

*Colorama Dimout is not suitable for drops over 2.8m

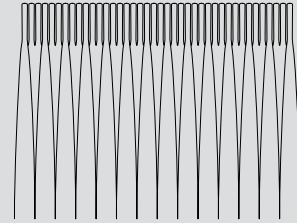
All prices shown exclude VAT



Made-to-measure Curtains

Pencil Pleat Curtains

For standard lining add 10% for blackout lining add 15%. For FR lining contact Silent Gliss. Curtain prices need to be added to the Silent Gliss hardware prices



Pencil Pleat (Approximate fullness 100%)

Price Category A

Price Group 1 Fabrics

Colorama 1
Colorama 1 Alu
Colorama 1 Bioactive
Colorama 1 Eco
Colorama 1 Multicolour
Colorama Acoustic
Colorama Acoustic Multicolour
Oscurante
Polyflax
Someo

Width ► Drop ▼	150cm	200cm	250cm	300cm	350cm	400cm	450cm	500cm	550cm	600cm	◀ Width ▼ Drop
Up to 300cm	486.70	648.89	811.16	973.34	1135.61	1297.82	1460.04	1622.25	1784.46	1946.68	Up to 9'10"
301-350cm	729.21	973.34	1217.49	1461.62	1705.77	1949.92	2194.04	2438.19	2682.33	2926.47	9'10"-11'5"
351-400cm	838.42	1119.52	1400.61	1681.68	1962.74	2243.86	2524.94	2806.02	3087.10	3368.19	11'5"-13'1"

Price Group 2 Fabrics

Colorama 2
Colorama 2 Bioactive
Colorama 2 Eco
Colorama 2 Multicolour
Leviso Light
Multicolour Natura
Multicolour Panama
Somnia
Valere

Width ► Drop ▼	150cm	200cm	250cm	300cm	350cm	400cm	450cm	500cm	550cm	600cm	◀ Width ▼ Drop
Up to 300cm	668.17	889.84	1111.48	1333.14	1554.81	1776.43	1998.11	2219.74	2441.40	2663.05	Up to 9'10"
301-350cm	1002.26	1334.73	1667.22	1999.69	2332.20	2664.66	2997.14	3329.65	3662.12	3994.61	9'10"-11'5"
351-400cm	1153.25	1535.52	1917.80	2300.06	2682.31	3064.59	3446.87	3829.14	4211.42	4593.69	11'5"-13'1"

Price Group 3 Fabrics

*Colorama Dimout
Multicolour Dimout
Reflex

Width ► Drop ▼	150cm	200cm	250cm	300cm	350cm	400cm	450cm	500cm	550cm	600cm	◀ Width ▼ Drop
Up to 300cm	1304.23	1737.91	2171.56	2605.22	3038.90	3472.57	3906.25	4339.92	4773.58	5207.25	Up to 9'10"
301-350cm	1956.31	2606.85	3257.34	3907.87	4558.35	5208.87	5859.37	6509.89	7160.39	7810.91	9'10"-11'5"
351-400cm	2248.68	2997.14	3745.64	4494.11	5242.59	5991.07	6739.56	7488.04	8236.52	8985.00	11'5"-13'1"

Fabric Joining Information for Pencil Pleat Curtains

By reducing the number of joins the overall curtain appearance improves. The table below indicates the maximum drop available **without joins** for each fabric.

Max drop 170cm	Max drop 200cm	Max drop 240cm	Max drop 260cm	Max drop 280cm	Max drop 290cm	Max drop 300cm
Valere	Reflex	Colorama 1 Alu Somnia Leviso Leviso Light	Oscurante Someo	*Colorama Dimout Multicolour Dimout	Colorama 1 Multicolour Colorama 2 Multicolour Colorama Acoustic Colorama Acoustic Multicolour Polyflax Multicolour Natura Multicolour Panama	Colorama 1 Colorama 1 Bioactive Colorama 1 Eco Colorama 2 Colorama 2 Bioactive Colorama 2 Eco

We recommend (for Pencil Pleat) that if dim-out and black-out fabrics have to be made with joins (due to the drop required - see above table) then they should be lined to reduce pinholes.

*Colorama Dimout is not suitable for drops over 2.8m.

All prices shown exclude VAT

Price Index for Rails & Parts

All prices shown
exclude V.A.T.

Product	Description	Unit Prices					Per Metre Price				Qty
		Each	Per 10	Per 100	Other Qty	Price	1m	100m	Other Lgth	Price	
18R	Round Head Screw No.8, 25mm/1"			20.86							A
28C	Counter Sunk Screw No.8, 50mm/2"			25.89							A
0286	Cable Clips	0.16									A
0323	0.5m Blue patch cable	2.49									C
0565	Non latching recess switch, white, 1 gang	137.57									C
0566	Non latching recess switch, white, 2 gang	238.14									C
0567	Non latching recess switch, white, 3 gang	370.83									C
0568	Non latching recess switch, white, 4 gang	471.42									C
0569	Non latching recess switch, white, 6 gang	711.71									C
0593	Gland set for 5682	4.78									C
0615	Mains Switch, white, 1 gang, including back box	74.30									C
0616	Latching recess switch, white, 2 gang	100.14									C
0617	Latching recess switch, white, 3 gang	162.72									C
0618	Latching recess switch, white, 4 gang	195.69									C
0619	Latching recess switch, white, 6 gang	271.19									C
0661	Side guide wire						1.19				A
0839	Knot Holder	0.63									A
1025p	Rail, silver in 6 metre lengths only						8.70				A
1025p	Rail, silver, cut to size						9.51				A
1025p	Rail, white, in 6 metre lengths only						18.71				A
1025p	Rail, white, cut to size						19.52				A
1071	Rail, white in 6 metre lengths only						10.90				A
1071	Rail, white cut to size						12.00				A
1072	Endcap for 1070 Hand, white.		6.48	61.71							A
1080p	Rail, silver in 5 metre or 6 metre lengths only						11.60				A
1080p	Rail, silver, cut to size						12.68				A
1080p	Rail, white, in 5 metre or 6 metre lengths only, black in 6m lengths						12.22				A
1080p	Rail, white, black cut to size						13.62				A
1080p	Rail, matt white, anodic grey, antique bronze, charcoal in 6m. lengths only						25.04				A
1080p	Rail, matt white, anodic grey, antique bronze, charcoal cut to size						26.20				A
1082	Rail, white, in 5 metre or 6 metre lengths only (System 3000)						22.55				A
1082	Rail, white, cut to size (System 3000)						23.30				A
1090p	Rail, silver in 6 metre lengths only						9.93				A
1090p	Rail, silver, cut to size						10.80				A
1090p	Rail, white in 6 metre lengths only						10.28				A
1090p	Rail, white, cut to size						11.33				A
1105	Spacer	1.28	12.25	116.70							A
1128C	Counter sunk screw No.8, 37mm/1 1/2"			33.47							A
1128R	Round head screw No.8, 37 mm/1 1/2"			33.47							A
1148C	Counter sunk screw No.8, 31mm/1 1/4"			25.31							A
1280p	Rail, white, in 5/6 m lengths						16.53				A
1348R	Round head screw No.8, 44mm/1 3/4"			36.87							A
2006	Aluminium weight bar (4 metre length max) 28mm						19.23				A
2049	Gear Drive	37.01	352.35	3202.02							A
2059	Safety Clip		13.26								A
2081	Take up reel, 2120 system	16.51	148.04								A
2091	Endcover white black (for 2135 steel rod)	1.54	14.18	135.00							A
2093	Ring white, black		3.49	33.10							A
2111	Hexagonal bar								6m	124.50	A
2111	Hexagonal bar, outer of 50 lengths								6m	93.35	A
2116	Touch and close profile								5m	129.67	A
2116	Touch and close profile, outer of 40 lengths								5m	116.70	A
2131	Short end-cover	2.49	22.28								A
2135	Steel rod white								3m	20.34	A
2136	Tubular tape (for 2135 steel rod)						249.89				A
2136CR	Tubular tape, cream						256.61				A
2138	T' bracket A, silver, white with 1 rivetted clamp	56.07									C
2139	T' bracket A, silver, white with 2 rivetted clamps	56.54									C
2144	Cross rail								4m	73.60	C
2145	Glider, wide channel for side rails	1.83	17.58								C
2151	Rail, silver in 6 metre lengths only						144.35				C
2151	Rail, silver, cut to size						158.83				C

All prices shown
exclude V.A.T.

Price Index for Rails & Parts

Product	Description	Unit Prices					Per Metre Price				Qty
		Each	Per 10	Per 100	Other Qty	Price	1m	100m	Other Lgth	Price	
2156	Drive shaft						18.66		6m	101.75	C
2160	Motor	1490.38									C
2163	Flat drawing tape 6mm								200m	594.08	A
2164T	Ring tape transparent								100m	537.66	A
2164	Ring tape white, black								100m	933.18	A
2179	Endcover for 2211	2.11	19.90								A
2182	Sleeve and pin, pair				2.00	18.71					C
2188	Glider Insert for 2144	1.69	16.20								C
2189	Gear, system 2190	243.09									C
2191	Rail, silver, 6 metre lengths only						30.48				C
2191	Rail, silver, cut to size						33.52				C
2191	Rail, white, 6 metre lengths only						32.39				C
2191	Rail, white, cut to size						35.62				C
2192	Belt drive endpiece set	17.32									C
2192W	Belt drive endpiece set, white	18.11									C
2193	Belt return set	17.32									C
2193W	Belt return set, white	17.69									C
2198	Pencil pleat tape								50m	402.31	A
2211	Velcro Profile						47.68		6m	259.95	A
2216	Cord								1000m	370.19	A
2221	Hook tape								100m	740.40	A
2230	Set, white, grey	36.35									C
2242	Connector	46.38									C
2248	Cross rod								6m	119.06	C
2255	Adjustable brake, white, black	9.96	94.85								A
2256	Adjustable brake, white, black	9.96	94.85								A
2301	Profile, White								5.8m	86.67	A
2301	Profile, Black								5.8m	104.00	A
2302	Clip bracket	1.55									A
2302	Clip bracket, Black	1.87									A
2307	Gear/Breakaway set (4:1), White	20.80									A
2307	Gear/Breakaway set (4:1), Black	24.97									A
2308	Spool with lift cord, White, 2305 systems	7.34									A
2308	Spool with lift cord, Black 2305 systems	8.79									A
2309	Hexagonal Bar								5m	12.12	A
2310	Plastic bead chain, White								250m	181.75	A
2311	Metal bead chain, (2305)								150m	434.17	A
2311/AB	Metal bead chain, Antique Brass (2305)								150m	779.05	A
2311/BK	Metal bead chain, Black (2305)								150m	779.05	A
2311/GD	Metal bead chain, Gold (2305)								150m	779.05	A
2312	Bead chain joiner	0.67									A
2319	Plastic chain joiner	0.13									A
2346	Clamp bracket	2.18									A
2346	Clamp bracket, Black	2.62									A
2347/50	50cm drop plastic chain loop, White	1.68									A
2347/75	75cm drop plastic chain loop, White	1.88									A
2347/100	100cm drop plastic chain loop, White	2.15									A
2347/125	125cm drop plastic chain loop, White	2.49									A
2347/150	150cm drop plastic chain loop, White	2.76									A
2347/175	175cm drop plastic chain loop, White	3.03									A
2347/200	200cm drop plastic chain loop, White	3.50									A
2363	Wall/ceiling bracket white, black	8.50									A
2521	Face Fix Bracket galvanised	2.39									C
2521	Face Fix Bracket white, black	5.20									C
2539	Touch and close pile section							248.40	25m	69.01	A
2613	Connector	20.37									C
2759	Crossrail, 0.13mm								4m	46.65	C
2826	Chain connector	1.74	16.67								A
2865	Twin connector	2.29									C
2962	Connecting bridge	52.17									C
3003	Clamp		59.81	538.30							C
3004	Clamp		18.76	168.94							A

Price Index for Rails & Parts

All prices shown
exclude V.A.T.

Product	Description	Unit Prices					Per Metre Price				Qty
		Each	Per 10	Per 100	Other Qty	Price	1m	100m	Other Lgth	Price	
3008	Connecting bridge	15.20									A
3016	Endstop	0.66		49.50							A
3016	Endstop, Euroslot sachet of 2	2.57									A
3030	Pilot runner	2.73		239.11							A
3032	Spring Stop		10.89	97.86							A
3033	Clamp	3.56	32.00								C
3041	Clamp	9.57	95.66								A
3044	Clamp	2.38									C
3045	Metal overlap	5.63	50.65								A
3060	Clamp for 6465	0.90	8.58	81.80							A
3062	Connecting bridge for 1020 / 6465	3.63									A
3067	Connecting bridge for 6243 profile	5.30									A
3068A	Loop tape							250mtr Reel	840.17		A
3069	Child Safety Eyelet white, black	1.02		92.70							A
3070	Twist eye endstop, white, black	0.99	8.79	78.55							A
3071	Screw twist endstop	3.68	35.05								A
3073	Bottom tape adjuster	0.52	3.87								A
3089	Glider with hook				20.00	14.02					A
3090	Cord, white						185.25				A
3090	Cord, black						185.25				A
3090A	Cord, white							500m	878.22		A
3091	Cord, black						185.25				A
3096	Connecting bridge 1090	19.67	187.39								A
3113	5cm spacer 1090		27.97	251.71							A
3151	Clearance spacer (for top boards)			87.36							A
3164	Hook & Latch Set white, black	1.99		193.79							A
3165	Breakaway Ring Set Softfold	1.28		125.13							A
3166	Breakaway Ring Set Softfold Tape (per metre)						17.00				A
3166	Breakaway Ring Set Softfold Tape (per metre) black						21.32				A
3175	Universal nylon bracket for 1090 system	1.79	16.53	98.83							A
3176	Top fix bracket 1090 white	1.79	16.53	98.83							A
3181	L' bracket A, silver, white with 1 rivetted clamp	11.78									C
3208A	Intermediate pulley, 3000, white	50.49	459.64								A
3213	Adjustable carrier 3000	3.82		338.47							A
3231	Endfix bracket 3000	13.26	125.83								A
3242	Nylon overlap	4.12	36.40	291.67							A
3242	Nylon overlap, Euroslot sachet of 1	5.28									A
3288	Endpiece set 3000, white	42.39			25.00	945.20					A
3511	Glider			16.11	25000.00	3231.93					A
3532	Glider			34.15	5000.00	1368.28					A
3533	Glider, white, black			18.05	25000.00	3610.91					A
3533	Glider, white sachets of 25 x 25	111.56									A
3533	Glider, white Euroslot sachets of 25	5.91									A
3534	Glider in strip form, white, black				1000.00	154.46					A
3548	Retrofit glider				25.00	8.34					A
3548	Retrofit glider			30.43	1000.00	303.64					A
3562	Standard tape						313.03				A
3570	Rotating glider		3.96	34.69							A
3571	Hook			15.91	35000.00	4671.05					A
3571	Hook, sachet of 25 x 25	106.18									A
3571	Hook, Euroslot sachet of 25	5.39									A
3580	Glider/hook			64.14	5000.00	3059.54					A
3582	Plastic hook, white, black			14.12							A
3582	Plastic hook, white sachets of 25 x 25	118.59			625.00	118.58					A
3582	Plastic hook, white, black outer 20000				20000.00	2508.19					A
3582	Plastic hook, white, black outer 1000				1000.00	132.02					A
3582	Plastic hook, white Euroslot sachets of 25				25.00	4.97					A
3599	2 prong hook, white, black			22.14	25000.00	4217.70					A
3599	2 prong hook, white sachets of 25 x 25	169.22									A
3599	2 prong hook, white Euroslot sachets of 25	7.29									A
3600	Picture hanging set	29.87									A
3602	Wall support 1080, white	6.77	61.43								A

Price Index for Rails & Parts

Product	Description	Unit Prices					Per Metre Price				Qty
		Each	Per 10	Per 100	Other Qty	Price	1m	100m	Other Lgth	Price	
3603	Top fix bracket, white, black	2.40	21.81	198.63							A
3603	Top fix bracket, Euroslot sachets of 2, white	6.24									A
3604	Nylon Corner Piece (White Only)	4.63									A
3605	Endcover 1080, white, black	3.34	30.38	289.43							A
3606	Snap fastener 1080	1.69	13.26								A
3611	Ceiling stud 1085	2.96									A
3612	Sleeve for 3610	6.54									A
3618	Metal wall support	9.40	84.62								A
3620	Connecting bridge	17.77	166.54								A
3626	Return fixing bracket	5.66	50.87								A
3630	Universal nylon bracket, white, black	2.30	18.30	166.59							A
3630	Universal nylon bracket, white Euroslot sachet of 2	6.00									A
3630	Universal nylon bracket, gold, brown	2.57	23.11								A
3634	Height adjuster	5.19									A
3637A	Cord							500m	423.78		A
3638	Re-inforced corner piece, grey, white	3.89	35.46	323.09							A
3639	Hanger rod assembly complete	30.01									A
3655	Long universal bracket	3.92	37.25	338.94							A
3660	Extra long universal bracket	4.87									A
3660	Extra long universal bracket, Euroslot sachet of 1	6.36									A
3663	Profile hook	4.50									A
3667	Endcover/stop, white, grey, black	1.82	17.53	167.18							A
3667	Endcover/stop, white, grey, Euroslot sachets of 2	5.09									A
3667	Endcover/stop, matt white, anodic grey, antique bronze, charcoal	3.74	35.62	339.26							A
3802	Connecting bridge	19.60									A
3825	Clamp		27.85	266.45							A
3826	Top fix bracket, white, black	1.83	16.70	150.39							A
3832	Twist clamp	3.51									A
3833A	Intermediate pulley for 3840, white, black	73.57									A
3833A	Intermediate pulley for 3840, matt white, grey, anodic grey, antique bronze, charcoal	80.58									A
3836	Face fix bracket, white	3.79	31.53	284.10							A
3841	Rail, silver, white, black in 6 metre lengths only						24.76				A
3841	Rail, silver, white, black cut to size						27.50				A
3841	Rail, matt white, anodic grey, antique bronze, charcoal in 6 metre lengths only						44.00				A
3841	Rail, matt white, anodic grey, antique bronze, charcoal, cut to size						46.46				A
3842	Endcap for 6840 Hand, white, grey, black	0.67	6.06	53.85							A
3842	Endcap for 6840 Hand, anodic grey, antique bronze, charcoal, silver	5.79	55.17	525.05							A
3845	Endpiece set, white, grey, black	24.05									A
3845	Endpiece set, anodic grey, antique bronze, charcoal	32.43									A
3846	Endpiece set, white, grey	33.27									A
3914	Bracket for return profile	19.89									A
3915	Endpiece set				20.00	544.52					A
3915	Endpiece set				50.00	1225.72					A
3916	Pilot runner for multi-stack system	2.30	20.53								A
3917	Pilot runner	3.15		299.96							A
3922	Roller gliders in strip form, outer of 1000				1000.00	622.76					A
3922	Roller gliders in strip form, outer of 8000				8000.00	4302.87					A
3929A	Intermediate pulley	78.12	743.67								A
3932	Spring stop	3.40	32.40								A
3933	Click glider in strip form, outer of 1000				1000.00	395.67					A
3935	Overlap arm (System 3900)	29.40	280.17								A
3935A	Combination overlap with 'S' hook attachment 3949	33.11	315.44								A
3936	Overlap arm (System 3900)				20.00	296.63					A
3936A	Combination overlap with 'S' hook attachment 3949	19.90	189.48								A
3939	Pilot runner	2.68		257.10							A
3942	Intermediate stop	4.50	43.69								A
3971	Rail, white in 6 metre lengths only						30.29				C
3971	Rail white cut to size						33.32				C
3975	Overlap for pulling by hand (1280)	56.25	535.74								A
3982	Rail, white, available in 5 metre or 6 metre lengths						25.89				A
3985	Endcover in white 1280			287.12							A

Price Index for Rails & Parts

All prices shown
exclude V.A.T.

Product	Description	Unit Prices					Per Metre Price				Ctgy
		Each	Per 10	Per 100	Other Qty	Price	1m	100m	Other Lgth	Price	
4223	Plastic strip with adhesive 12mm						4.54				C
4226	Standard adhesive tape, 30mm								54m	402.10	C
4845	Metal bead chain (2020/2120)								125m	664.18	A
4845BR	Metal bead chain, brass (2020/2120)								125m	1249.20	A
5118	Wedge, white, black	7.12									C
5130	Drive belt for 2190/2195						20.19				C
5190	Motor 100-250V AC with 5 Metre lead	313.67									A
5192	Motor 24V DC	337.20									A
5193	Motor 100-250V AC with mains control	454.40									A
5339	Lead with in-line connector	137.77									C
5670	Overlap	86.20									C
5682	Hood	20.37									C
5684	Connector	43.67									C
5736	Surface Relay Socket	200.25									C
6010p	Rail, white, black in 6 metre lengths only						23.06				A
6010p	Rail, white, black, cut to size						25.36				A
6018	Endcap, white, black for 6010		8.12	77.28							A
6024	Panel glide connecting bridge	16.91									C
6053	Spring stop	1.83	16.98								A
6063	Overlap	14.56	132.38	1237.28							A
6063	Overlap Black	19.08	181.69	1730.40							A
6063R	Overlap arm with rollers for 30mm Corded	25.18									A
6064	Screw twist endstop, white	1.77	15.03								A
6065	Twist eye endstop, white, black	1.55	14.26	131.13							A
6070	Cord 6200/6370							519.39			C
6079	Overlap	47.37									C
6086	Spring stop, white, black	2.59	24.32	220.89							A
6094	Roller glider with hook		42.62	405.50							A
6098	Roller glider with eye, white, black		35.95	341.01							A
6099	Wave roller glider (80mm) white								50m	3729.72	A
6101	Rail, Black and Matt White in 6m only. White in 4.5m, 5m, 5.5m, 6m lengths only						43.16				A
6101	Rail, Silver in 4.5m, 5m, 5.5m, 6m lengths only						38.37				A
6101	Rail, Gunmetal, Antique Bronze, Bronze, Anodic Grey, Charcoal, Slate Grey 6m lengths only , Rail, chrome effect, 4m lengths only						55.69				A
6103	Rail, Silver, White, Matt White, Ecru, Black in 6 metre lengths only						39.77				A
6103	Rail, Antique Bronze, Anodic Grey, Bronze, Charcoal, Gunmetal, Slate Grey, Sand, Ochre, Taupe, Chrome effect (Chrome effect 4m lengths max)						58.21				A
6105	Hanger with plate, 61cm, white, silver	138.94									A
6105	Hanger with plate, 61cm, black	145.85									A
6105	Hanger with plate, 91cm, white, silver	145.74									A
6105	Hanger with plate, 91cm, black	153.05									A
6106	Rail, White, Matt White Ecru Black in 6 metre lengths only						52.18				A
6106	Rail, Antique Bronze, Anodic Grey, Bronze, Charcoal, Gunmetal, Slate Grey, Sand, Ochre, Taupe, Chrome effect (Chrome effect 4m lengths max)						71.72				A
6107	V-Hanger with plate, 61cm, white, silver	186.45									A
6107	V-Hanger with plate, 61cm, black	195.73									A
6107	V-Hanger with plate, 91cm, white, silver	200.06									A
6107	V-Hanger with plate, 91cm, black	210.12									A
6110	Dustcover, white						4.26				A
6122	Endstop			378.54							A
6124	Twist fixing plate	6.74									A
6124	Twist fixing plate, black	10.78									A
6137	Ceiling fix plate, single, silver	9.37									A
6137	Ceiling fix plate, single, white	10.28									A
6138	Ceiling fix plate, double, silver	10.44									A
6138	Ceiling fix plate, double, white	11.45									A
6141	Insert		32.95	303.58							A
6143	Glider			24.19	1000.00	225.92					A
6146	Hook			25.54	12.00	3.78					A
6147	Glider hook				20.00	16.33					A
6147	Glider hook				500.00	326.78					A
6147	Glider hook				8000.00	4377.85					A

Price Index for Rails & Parts

All prices shown
exclude V.A.T.

Product	Description	Unit Prices					Per Metre Price				Qty
		Each	Per 10	Per 100	Other Qty	Price	1m	100m	Other Lgth	Price	
6148	Glider (yellow)				1000.00	363.41					A
6149	Lead glider (blue)			89.34							A
6151	Ceiling support 3mm, Antique Bronze, Bronze, Anodic Grey, Black, Bronze, Charcoal, Ecrú, Gunmetal, Slate Grey, Silver, Sand, Ochre, Taupe, White, Matt White, Chrome effect for 30mm Hand	11.64	104.82								A
6152	Ceiling support 9mm, Antique Bronze, Bronze, Anodic Grey, Black, Bronze, Charcoal, Ecrú, Gunmetal, Slate Grey, Silver, Sand, Ochre, Taupe, White, Matt White, Chrome effect for 30mm Cord	23.25	209.65								A
6160	Track insert	22.14									A
6160	Track insert, black	59.46									A
6173	Connecting bridge	6.91	65.92								A
6175	Mini hanger, white / silver	35.43									A
6175	Mini hanger, Black, Antique Bronze, Anodic Grey, Bronze, Charcoal, Ecrú, Gunmetal, Matt White, Ochre, Slate Grey, Sand, Taupe	46.61	443.91								A
6187	Dummy ceiling support sleeve, silver, white	19.16									A
6190	Hanger rod assembly, complete including 6192 ceiling support and 6191 rod 61 cm (2') silver, white, black	71.58									A
6190	Hanger rod assembly, complete including 6192 ceiling support and 6191 rod 91 cm (3') silver, white, black	80.41									A
6191	Hanger tube, silver, white, black						27.57				A
6192B	Ceiling support, 100mm complete with stud 6193 and 2 grub screws, silver, white, black	55.50									A
6193	Stud for ceiling support	6.60									A
6194	Insert	7.74									A
6199	Internal connecting bridge	16.11									A
6214	Adjustable pilot	15.20									C
6224	Nylon clamp	18.50									C
6227	Master runner	15.20									C
6243p	Rail White, black in 6 metre lengths only						15.62				A
6268	Hanger	14.53									C
6269	Connecting bridge for 6293	54.36									A
6283	Roller glider		22.31	211.66							A
6288	Plastic overlap arm, white, black	4.62	41.68	374.92							A
6290p	Rail, White, in 6m lengths						9.54				A
6293p	Rail, white in 6 metre lengths only						40.17				A
6293p	Rail, white cut to size						44.18				A
6349	Wave curtain tape, white, 50m, 100m rolls only							373.21	50.00	191.14	A
6349	Wave curtain tape, black, 50m, 100m rolls only							447.86	50.00	229.36	A
6354	Pilot runner	7.99	76.03								A
6363	Wave Iron-on hemming tape							265.72			A
6364	Extension arm, white, black	6.49	58.43								A
6365	Hanger, white, black	5.41	48.70								A
6366	Draw rod carrier, white, black	10.25	92.27								A
6369	Insert for face fixing 6370	6.55									C
6371	Rail, silver in 5 metre and 6 metre lengths only						41.87				C
6371	Rail, silver, cut to size						48.39				C
6376	Connecting bridge	21.80	207.08								C
6377	Endpiece set, grey	89.61	853.49								C
6380p	Rail, white in 6 metre lengths only						24.17				A
6380p	Rail, white cut to size						26.59				A
6381	End cap white for 6380			378.11							A
6398	Clip	1.27	11.44								C
6466	Rail, white, black in 6 metre lengths only						24.57				A
6466	Rail, white, black cut to size						27.03				A
6471	Endcover white, black for 6465		15.39	146.61							A
6501	V-hanger, silver, white	153.84			metre drop	42.63					A
6503	Wall bracket complete, white, 25mm long with 50mm projection	20.21									A
6503	Wall bracket complete, silver, 25mm long with 50mm projection	18.35									A
6503	Wall bracket complete, white, 50mm long with 50mm projection	26.92									A
6503	Wall bracket complete, silver, 50mm long with 50mm projection	23.77									A
6503	Wall bracket complete, white, 100mm long with 50mm projection	33.38									A
6503	Wall bracket complete, silver, 100mm long with 50mm projection	29.71									A
6503	Wall bracket complete, white, 200mm long with 50mm projection	46.70									A
6503	Wall bracket complete, silver, 200mm long with 50mm projection	42.11									A

Price Index for Rails & Parts

All prices shown
exclude V.A.T.

Product	Description	Unit Prices					Per Metre Price				Qty
		Each	Per 10	Per 100	Other Qty	Price	1m	100m	Other Lgth	Price	
6503	Wall bracket complete, white, 50mm long with 100mm projection	39.72									A
6503	Wall bracket complete, silver, 50mm long with 100mm projection	35.38									A
6503	Wall bracket complete, white, 100mm long with 100mm projection	55.03									A
6503	Wall bracket complete, silver, 100mm long with 100mm projection	50.03									A
6503	Wall bracket complete, white, 75mm long with 150mm projection	96.43									A
6503	Wall brackets complete, silver 75mm long with 150mm projection	87.66									A
6512	Connecting bridge, silver, white	75.68									A
6512	Connecting bridge, black	83.32									A
6514M	T-junction, single, silver	14.87									A
6514M	T-junction, single, white	17.64									A
6519	Silver V-hanger rod						17.25				A
6521	External bridge 6103, silver	93.50									A
6521	External bridge 6103, white	99.65									A
6524A	Diagonal fixing support, silver, white	82.88									A
6525A	Double T-junction, silver	20.48									A
6525A	Double T-junction, white	23.68									A
6530	V Hanger, black, 61cm long	299.24									A
6530	V Hanger, black, 91cm long	308.07									A
6610	Wall support, white	10.63									A
6610	Wall support, grey,	10.62									A
6610	Wall support, black	22.81									A
6611	Endcover, grey	8.23									A
6611	Endcover, white	9.28									A
6611	Endcover, black	11.13									A
6620	Wall bracket 6103, grey	24.99	238.07								A
6620	Wall bracket 6103, white	19.10	172.77								A
6625A	Fixing sleeve complete for V-hanger/diagonal support, silver, white	60.12									A
6628	V-hanger track insert	33.60									A
6632	Internal connecting bridge 6103	12.60									A
6635	Internal connecting bridge	26.12									A
6639	Track insert	3.73									A
6655	Wall Support	43.23									A
6663	Wall brackets connector plate complete	52.28									A
6666	Safety connecting bridge	79.63									A
6669	Dustcap for 6650 (2.5mtr length)							1m	7.85		A
6671	Washer insert for countersunk screw	2.61									A
6672	Cover for 6671	3.29									A
6675	Safety Device	54.61									A
6677	V-Hanger safety device	83.73									A
6679	Acrylic disc for use with 6655	10.15									A
6739	Machine screw M4 6mm/ 1/4"			21.42							A
6748	Machine screw M4 8mm/ 5/16"			29.85							A
6770	Locking pin	2.12									A
6771	Vine eye	2.44									A
6784	Machine screw for 6639			50.92							A
6789	Grub screw	0.36									A
6794	Screw for 5600 Direct Fix	0.43		41.20							C
6798	Machine screw M4 12mm/ 1/2"			31.31							A
6835A	Round head No. 4 screw 12mm/ 1/2"			11.99							A
6835B	Round head No. 4 screw 25mm/ 1"			20.68							A
6944	Screw Countersunk Head M3 x 8			18.15							A
6938	Screw Countersunk Head M5 x 10			27.13							A
7002	Rail protector	7.77									A
8013	Bottom bar clip (25mm)	1.88	17.13								C
8235	Wire base short, white, grey, black	4.93									C
8236	Wire base long, white, grey, black	6.58									C
8237	Wire holder, white, grey, black	6.69									C
8249A	Locking ring	0.86									C
8920	Universal bracket for 8910	9.80									C
9060	Motor, white, grey	1221.56									C
9060	Motor, black	1465.87									C
9060	Motor, white, grey, slow motor	1221.56									C

Price Index for Rails & Parts

Product	Description	Unit Prices					Per Metre Price				Qty
		Each	Per 10	Per 100	Other Qty	Price	1m	100m	Other Lgth	Price	
9916	In line connector for electric Roller blinds	86.61									C
9953	Volt free switching module	259.80									C
9959	Surface relay socket	200.25									C
10048	Power cable with plug	9.84									C
10075	Lead weight						4.72				A
10076	Fabric weight white	16.23									A
10076/1	Fabric weight s/steel	11.05									A
10122	Profile cut to size, white, (for System 2700, 2 channel)						48.98				C
10123	Profile cut to size, white, (for System 2700, 3 channel)						79.04				C
10124	Profile cut to size, white, (for System 2700, 4 channel)						84.16				C
10125	Profile cut to size, white, (for System 2700, 5 channel)						91.42				C
10132	Profile cut to size, white (for System 2730, 2 channel)						38.63				C
10133	Profile cut to size, white (for System 2730, 3 channel)						60.64				C
10134	Profile cut to size, white (for System 2730, 4 channel)						82.64				C
10135	Profile cut to size, white (for System 2730, 5 channel)						104.66				C
10136	Top fix bracket for 2700, 2 channel profile only	4.78	45.46								C
10137	Top fix bracket for 2700, 3, 4 and 5 channel profiles	5.58	53.04								C
10139	Screw	0.11									A
10140	Angle with screw	2.01									C
10142	Cover for 2 channel 2700 profile	2.95									C
10143	Cover for 3 channel 2700 profile	2.96									C
10144	Cover for 4 channel 2700 profile	3.02									C
10145	Cover for 5 channel 2700 profile	4.23									C
10146	Angle with screw	2.01									C
10148	Eyelet with screw	2.65									C
10156	End stop with screw for 2700	4.17									C
10157	Wedge, white, black for 2700, 6870 and 3870 recess profiles	2.82	26.78								A
10172	Recess profile, 2 channel, (for System 2700)						43.00				C
10173	Recess profile, 3 channel, (for System 2700)						43.00				C
10174	Recess profile, 4 channel, (for System 2700)						43.00				C
10175	Recess profile, 5 channel, (for System 2700)						43.00				C
10177	Connecting bridge for 2730	7.68									C
10180	Carrier assembled, flexible, (for system 2730)						55.47				C
10200	Roller for 2700 carrier	1.86									C
10230	Carrier assembled, white, (for system 2700)						51.66				C
10234	Glass weight bar 16mm	2.13									C
10252	2700 carrier end cover left	1.05									C
10253	2700 carrier end cover right	1.05									C
10281	Slot nut (for System 2730)		22.02								C
10399	Design Fascia for 2730, white					per system	5.31	32.52			C
10430	Draw rod 50cm aluminium	12.58									A
10430	Draw rod 50cm white	13.65									A
10430	Draw rod 50cm black	16.38									A
10431	Draw rod 75cm aluminium	14.65									A
10431	Draw rod 75cm white	16.34									A
10431	Draw rod 75cm black	19.61									A
10432	Draw rod 100cm aluminium	16.59									A
10432	Draw rod 100cm white	18.66									A
10432	Draw rod 100cm black	22.40									A
10433	Draw rod 125cm aluminium	18.08									A
10433	Draw rod 125cm white	20.48									A
10433	Draw rod 125cm black	24.57									A
10434	Draw rod 150cm aluminium	19.42									A
10434	Draw rod 150cm white	22.11									A
10434	Draw rod 150cm black	26.53									A
10534	Continuous headrail profile for 4900, 4910, 4960 silver, white (per m width)						25.76				A
10539	Optional click bracket for fixing continuous headrail 10534	6.13									C
10632	Intermediate bracket cover for 4910, 4960 white, grey, black	7.33									C
10645	Pull grip set	17.30									C
10707	Cushion, white, grey, black 4910	2.13									C
10709	Chain stop	1.09									C

Price Index for Rails & Parts

All prices shown
exclude V.A.T.

Product	Description	Unit Prices					Per Metre Price				Qty	
		Each	Per 10	Per 100	Other Qty	Price	1m	100m	Other Lgth	Price		
10717	Screw for 6243 Profile	0.46		44.25							A	
10731	Cord retainer, white, black	0.55									E	
10815	Cover, white, grey, black	2.01									A	
10816	Motor cover, white, grey, black	1.53									C	
10817	Motor case holder, white, grey, black	10.63									C	
10819	Belt return set, white, grey, black	16.97									C	
10820	Overlap arm, straight, black	6.42									C	
10821	Overlap arm, bent, white, black	6.88									C	
10821L	Long overlap arm, bent	54.08									C	
10822	Master carrier set, white, black	7.34									C	
10823	Belt connector arm	2.36									A	
10824	Belt connector pin	2.36									A	
10825	Drive belt							725.08			A	
10826	Overlap support set , white, black	8.10									C	
10831	Connecting bridge 5600	17.81									C	
10836	Mask pair stack, white, black	2.27									A	
10837	Pilot runner arm, white, black	3.06									C	
10838	Pilot runner set , white, black	34.55									C	
10840	2C Roller Glider, white, black	3.82	37.46	350.09							C	
10844	Wave endstop (motor), white, grey, black	2.14									C	
10845	Wave master carrier, white, black single stack (80mm)	19.11									C	
10850	Rail, white, black, silver 6 metre lengths only						23.48				C	
10850	Rail, white, black, silver cut to size						25.83				C	
10852	Wave roller glider cord (80mm), white, black 6.5mm channel								57m	4065.13	C	
10854	Wave overlap support arm, white, black	3.12									A	
10856	Wave end stop (return end), white, grey, black	3.44									C	
10862	Recess profile, white, black for 5600, 6 metre lengths only						29.80				C	
10862	Recess profile, white, black for 5600, cut to size						32.78				C	
10863	Recess mask, motor, white, black	5.89									C	
10864	Recess mask, belt return, white, black	5.12									C	
10865	Mounting support plate	2.52									C	
10867	M4 X 16 Pan Head Screw for 5100	0.10									A	
10869	Wave roller glider cord (60mm), white, black, 6.5mm channel								43m	3885.11	C	
10886	Wave overlap arm, pilot runner set, white, black	9.63									C	
10887	Wave overlap arm set, white, black	9.86									C	
10905	Wave glider cord, white (80mm), 6.5mm channel								50m	1996.16	A	
10906	Wave glider cord, white (60mm), 6.5mm channel								50m	2395.00	A	
10924	Wave glider support, white, black	2.48									A	
10923	Pan head screw M4 x 12 for 3970			60.58							C	
10925	Rail, white 6 metre lengths only (System 5100)									6m	170.58	A
10925	Rail, white, cut to size (System 5100)						29.85				A	
10926	Clamp	5.25	50.04	476.58							A	
10927	Hook for 5100	2.91									A	
10931	Roller Glider for 10925	0.54									A	
10933	Belt return & Motor Holder Set	10.08									A	
10936	Overlap Arm Set	15.51									A	
10940	Belt Return for 5100	8.46									A	
10943	Connecting bridge for 5100	20.08									A	
10945	Endstop for 5100	2.18									A	
10946	1 Channel Transmitter White	68.22									A	
10947	2+1 Channel Transmitter White	83.71									A	
10948	6+1 Channel Transmitter White	83.71									A	
10949	1 Channel Wall Transmitter White	56.58									A	
10950	2+1 Channel Wall Transmitter White	83.71									A	
10951	5+1 Channel Wall Transmitter White	83.71									A	
11116	Smart Fix Bracket Cover with Magnet in Silver and White	5.92	56.35	536.64							A	
11116	Smart Fix Bracket Cover with Magnet in Antique Bronze, Anodic Grey, Black, Bronze, Charcoal, Ecu, Gunmetal, Slate Grey, Sand, Ochre, Taupe, Matt White	6.97	66.39	632.32							A	
11116	Smart Fix Bracket Cover with Magnet in Chrome effect	13.67	130.17	1239.67							A	
11118	Smart Fix 60mm Bracket in White and Silver (Set equivalent 11200)	4.99	45.95	436.60							A	
11118	Smart Fix 60mm Bracket in Anodic Grey, Antique Bronze, Black, Charcoal (Set equivalent 11200)	5.49	50.55	480.26							A	

Price Index for Rails & Parts

All prices shown
exclude V.A.T.

Product	Description	Unit Prices					Per Metre Price				Qty
		Each	Per 10	Per 100	Other Qty	Price	1m	100m	Other Lgth	Price	
11119	Smart Fix 80mm Bracket in White and Silver (Set equivalent 11201)	5.73	55.87	530.69							A
11119	Smart Fix 80mm Bracket in Anodic Grey, Antique Bronze, Black, Charcoal (Set equivalent 11201)	6.30	61.46	583.76							A
11120	Smart Fix 100mm Bracket in White and Silver (Set equivalent 11202)	5.88	56.59	537.62							A
11120	Smart Fix 100mm Bracket in Anodic Grey, Antique Bronze, Black, Charcoal (Set equivalent 11202)	6.47	62.24	591.38							A
11121	Smart Fix 120mm Bracket in White and Silver (Set equivalent 11203)	9.67	91.92	874.98							A
11121	Smart Fix 120mm Bracket in Anodic Grey, Antique Bronze, Black, Charcoal (Set equivalent 11203)	10.63	101.11	962.48							A
11122	Smart Fix 150mm Bracket in White and Silver (Set equivalent 11204)	9.89	93.95	894.39							A
11122	Smart Fix 150mm Bracket in Anodic Grey, Antique Bronze, Black, Charcoal (Set equivalent 11204)	10.87	103.34	983.83							A
11123	Smart Fix 200mm Bracket in White and Silver (Set equivalent 11205)	10.95	104.05	990.77							A
11123	Smart Fix 200mm Bracket in Anodic Grey, Antique Bronze, Black, Charcoal (Set equivalent 11205)	12.04	114.46	1089.84							A
11124	Smart Fix 60mm Bracket Slotted for Metropole in Silver, Black, White, Matt White, Ecu, Gunmetal, Charcoal, Bronze, Antique Bronze, Anodic Grey, Slate Grey, Ochre, Sand, Taupe (Set equivalent 11206)	6.50	60.32	554.33							A
11124	Smart Fix 60mm Bracket Slotted for Metropole in Chrome effect (Set equivalent 11206)	11.01	107.47	999.67							A
11125	Smart Fix 80mm Bracket Slotted for Metropole in Silver, Black, White, Matt White, Ecu, Gunmetal, Charcoal, Bronze, Antique Bronze, Anodic Grey, Slate Grey, Ochre, Sand, Taupe (Set equivalent 11207)	7.74	71.72	659.04							A
11125	Smart Fix 80mm Bracket Slotted for Metropole in Chrome effect (Set equivalent 11207)	11.69	114.21	1062.15							A
11126	Smart Fix 100mm Bracket Slotted for Metropole in Silver, Black, White, Matt White, Ecu, Gunmetal, Charcoal, Bronze, Antique Bronze, Anodic Grey, Slate Grey, Ochre, Sand, Taupe (Set equivalent 11208)	9.12	84.38	775.61							A
11126	Smart Fix 100mm Bracket Slotted for Metropole in Chrome effect (Set equivalent 11208)	14.84	144.93	1348.11							A
11127	M4 x 10 CSK. Head Screw for 6138P/6141			32.74							A
11128	Smart Fix Adjustable Extension Bracket slotted for Metropole in Silver, Black, White, Matt White, Ecu, Gunmetal, Charcoal, Bronze, Antique Bronze, Anodic Grey, Slate Grey, Ochre, Sand, Taupe (Set equivalent 11209)	11.44	108.91	1037.22							A
11128	Smart Fix Adjustable Extension Bracket slotted for Metropole in Chrome effect (Set equivalent 11209)	23.77	226.41	2156.25							A
11131	M4 x 6 Pan Head Screw	0.29									A
11137	Square Smart Fix Bracket Cover with Magnet in Silver and White	6.91	65.81	626.77							A
11137	Square Smart Fix Bracket Cover with Magnet in Antique Bronze, Anodic Grey, Black, Bronze, Charcoal, Ecu, Gunmetal, Slate Grey, Sand, Ochre, Taupe, Matt White	8.78	83.57	795.94							A
11137	Square Smart Fix Bracket Cover with Magnet in Chrome effect	13.85	131.91	1256.31							A
11139	Square Smart Fix 60mm Bracket in White and Silver (Set equivalent 11210)	7.02	66.83	636.48							A
11139	Square Smart Fix 60mm Bracket in Anodic Grey, Antique Bronze, Black, Charcoal (Set equivalent 11210)	9.31	88.67	844.48							A
11140	Square Smart Fix 80mm Bracket in White and Silver (Set equivalent 11211)	7.74	73.67	701.65							A
11140	Square Smart Fix 80mm Bracket in Anodic Grey, Antique Bronze, Black, Charcoal (Set equivalent 11211)	10.26	97.75	931.00							A
11141	Square Smart Fix 100mm Bracket in White and Silver (Set equivalent 11212)	8.47	80.66	768.21							A
11141	Square Smart Fix 100mm Bracket in Anodic Grey, Antique Bronze, Black, Charcoal (Set equivalent 11212)	11.22	106.83	1017.53							A
11142	Square Smart Fix 120mm Bracket in White and Silver (Set equivalent 11213)	9.34	88.96	847.25							A
11142	Square Smart Fix 120mm Bracket in Anodic Grey, Antique Bronze, Black, Charcoal (Set equivalent 11213)	12.35	117.63	1120.29							A
11143	Square Smart Fix 150mm Bracket in White and Silver (Set equivalent 11214)	10.52	100.17	954.02							A
11143	Square Smart Fix 150mm Bracket in Anodic Grey, Antique Bronze, Black, Charcoal (Set equivalent 11214)	13.89	132.20	1259.08							A
11144	Square Smart Fix 200mm Bracket in White and Silver (Set equivalent 11215)	11.97	114.00	1085.75							A
11144	Square Smart Fix 200mm Bracket in Anodic Grey, Antique Bronze, Black, Charcoal (Set equivalent 11215)	15.78	150.18	1430.34							A
11145	Square Smart Fix 60mm Bracket Slotted for Metropole in Silver, Black, White, Matt White, Ecu, Gunmetal, Charcoal, Bronze, Antique Bronze, Anodic Grey, Slate Grey, Ochre, Sand, Taupe (Set equivalent 11216)	8.56	81.54	776.53							A
11145	Square Smart Fix 60mm Bracket Slotted for Metropole in Chrome effect (Set equivalent 11216)	15.04	143.27	1364.47							A

Price Index for Rails & Parts

All prices shown
exclude V.A.T.

Product	Description	Unit Prices					Per Metre Price				Qty
		Each	Per 10	Per 100	Other Qty	Price	1m	100m	Other Lgth	Price	
11146	Square Smart Fix 80mm Bracket Slotted for Metropole in Silver, Black, White, Matt White, Ecrú, Gunmetal, Charcoal, Bronze, Antique Bronze, Anodic Grey, Slate Grey, Ochre, Sand, Taupe (Set equivalent 11217)	9.17	87.36	831.99							A
11146	Square Smart Fix 80mm Bracket Slotted for Metropole in Chrome effect (Set equivalent 11217)	15.59	148.51	1414.39							A
11147	Square Smart Fix 100mm Bracket Slotted for Metropole in Silver, Black, White, Matt White, Ecrú, Gunmetal, Charcoal, Bronze, Antique Bronze, Anodic Grey, Slate Grey, Ochre, Sand, Taupe (Set equivalent 11218)	10.03	95.51	909.65							A
11147	Square Smart Fix 100mm Bracket Slotted for Metropole in Chrome effect (Set equivalent 11218)	16.14	153.75	1464.31							A
11154	Universal Smart Fix 120mm in White and Silver	23.27	221.60	2110.49							A
11154	Universal Smart Fix 120mm in Black, Gunmetal, Matt White, Charcoal, Ecrú, Bronze, Antique Bronze, Anodic Grey, Slate Grey, Ochre, Sand, Taupe	26.75	254.84	2427.07							A
11155	Universal Smart Fix 150mm in White and Silver	23.65	225.24	2145.16							A
11155	Universal Smart Fix 150mm in Black, Gunmetal, Matt White, Charcoal, Ecrú, Bronze, Antique Bronze, Anodic Grey, Slate Grey, Ochre, Sand, Taupe	27.19	259.03	2466.92							A
11156	Universal Smart Fix 200mm in White and Silver	24.17	230.19	2192.31							A
11156	Universal Smart Fix 200mm in Black, Gunmetal, Matt White, Charcoal, Ecrú, Bronze, Antique Bronze, Anodic Grey, Slate Grey, Ochre, Sand, Taupe	27.79	264.73	2521.15							A
11190	Rail, white, black and silver in 6 meter lengths						23.56				A
11190	Rail, white, black and silver cut to size						25.92				A
11190	Rail, matt white, anodic grey, antique bronze and charcoal in 6m lengths						42.06				A
11190	Rail, matt white, anodic grey, antique bronze and charcoal cut to size						46.26				A
11200	Smart Fix 60mm Bracket Set in White and Silver (made up of 11118 + 11116)	8.09	77.08	734.08							A
11200	Smart Fix 60mm Bracket Set in Anodic Grey, Antique Bronze, Black, Charcoal, Matt White (made up of 11118 + 11116)	10.63	101.31	964.87							A
11201	Smart Fix 80mm Bracket Set in White and Silver (made up of 11119 + 11116)	9.13	86.96	828.17							A
11201	Smart Fix 80mm Bracket Set in Anodic Grey, Antique Bronze, Black, Charcoal, Matt White (made up of 11119 + 11116)	11.09	105.56	1005.35							A
11202	Smart Fix 100mm Bracket Set in White and Silver (made up of 11120 + 11116)	9.21	87.69	835.10							A
11202	Smart Fix 100mm Bracket Set in Anodic Grey, Antique Bronze, Black, Charcoal, Matt White (made up of 11120 + 11116)	11.98	114.06	1086.32							A
11203	Smart Fix 120mm Bracket Set in White and Silver (made up of 11121 + 11116)	14.06	133.93	1275.49							A
11203	Smart Fix 120mm Bracket Set in Anodic Grey, Antique Bronze, Black, Charcoal, Matt White (made up of 11121 + 11116)	15.46	147.32	1403.04							A
11204	Smart Fix 150mm Bracket Set in White and Silver (made up of 11122 + 11116)	14.28	135.96	1294.90							A
11204	Smart Fix 150mm Bracket Set in Anodic Grey, Antique Bronze, Black, Charcoal, Matt White (made up of 11122 + 11116)	15.71	149.57	1424.39							A
11205	Smart Fix 200mm Bracket Set in White and Silver (made up of 11123 + 11116)	15.34	146.08	1391.28							A
11205	Smart Fix 200mm Bracket Set in Anodic Grey, Antique Bronze, Black, Charcoal, Matt White (made up of 11123 + 11116)	16.87	160.69	1530.41							A
11206	Smart Fix 60mm Bracket Slotted for Metropole Bracket Set in Black, Silver, White, Matt White, Ecrú, Gunmetal, Charcoal, Bronze, Antique Bronze, Anodic Grey, Slate Grey, Ochre, Sand, Taupe (made up of 11124 + 11116)	9.39	89.44	851.81							A
11206	Smart Fix 60mm Bracket Slotted for Metropole Bracket Set in Chrome effect (made up of 11124 + 11116)	17.22	164.00	1561.86							A
11207	Smart Fix 80mm Bracket Slotted for Metropole Bracket Set in Black, Silver, White, Matt White, Ecrú, Gunmetal, Charcoal, Bronze, Antique Bronze, Anodic Grey, Slate Grey, Ochre, Sand, Taupe (made up of 11125 + 11116)	10.55	100.43	956.52							A
11207	Smart Fix 80mm Bracket Slotted for Metropole Bracket Set in Chrome effect (made up of 11125 + 11116)	17.91	170.56	1624.34							A
11208	Smart Fix 100mm Bracket Slotted for Metropole Bracket Set in Black, Silver, White, Matt White, Ecrú, Gunmetal, Charcoal, Bronze, Antique Bronze, Anodic Grey, Slate Grey, Ochre, Sand, Taupe (made up of 11126 + 11116)	11.83	112.67	1073.09							A
11208	Smart Fix 100mm Bracket Slotted for Metropole Bracket Set in Chrome effect (made up of 11126 + 11116)	21.06	200.58	1910.30							A
11209	Smart Fix Adjustable Metropole Bracket Set in Black, Silver, White, Matt White, Ecrú, Gunmetal, Charcoal, Bronze, Antique Bronze, Anodic Grey, Slate Grey, Ochre, Sand, Taupe (made up of 11128 + 11116)	14.72	140.14	1334.70							A
11209	Smart Fix Adjustable Metropole Bracket Set in Chrome effect (made up of 11128 + 11116)	29.97	285.45	2718.58							A
11210	Square Smart Fix 60mm Bracket Set in White and Silver (made up of 11139 + 11137)	13.91	132.50	1261.86							A
11210	Square Smart Fix 60mm Bracket Set in Anodic Grey, Antique Bronze, Black, Charcoal, Matt White (made up of 11139 + 11137)	18.08	172.25	1640.42							A

Price Index for Rails & Parts

All prices shown
exclude V.A.T.

Product	Description	Unit Prices					Per Metre Price				Qty
		Each	Per 10	Per 100	Other Qty	Price	1m	100m	Other Lgth	Price	
11211	Square Smart Fix 80mm Bracket Set in White and Silver (made up of 11140 + 11137)	14.65	139.48	1328.42							A
11211	Square Smart Fix 80mm Bracket Set in Anodic Grey, Antique Bronze, Black, Charcoal, Matt White (made up of 11140 + 11137)	19.03	181.32	1726.93							A
11212	Square Smart Fix 100mm Bracket Set in White and Silver (made up of 11141 + 11137)	15.38	146.47	1394.98							A
11212	Square Smart Fix 100mm Bracket Set in Anodic Grey, Antique Bronze, Black, Charcoal, Matt White (made up of 11141 + 11137)	19.99	190.41	1813.47							A
11213	Square Smart Fix 120mm Bracket Set in White and Silver (made up of 11142 + 11137)	16.25	154.77	1474.02							A
11213	Square Smart Fix 120mm Bracket Set in Anodic Grey, Antique Bronze, Black, Charcoal, Matt White (made up of 11142 + 11137)	21.12	201.21	1916.23							A
11214	Square Smart Fix 150mm Bracket Set in White and Silver (made up of 11143 + 11137)	17.43	165.98	1580.79							A
11214	Square Smart Fix 150mm Bracket Set in Anodic Grey, Antique Bronze, Black, Charcoal, Matt White (made up of 11143 + 11137)	22.66	215.78	2055.02							A
11215	Square Smart Fix 200mm Bracket Set in White and Silver (made up of 11144 + 11137)	18.88	179.81	1712.52							A
11215	Square Smart Fix 200mm Bracket Set in Anodic Grey, Antique Bronze, Black, Charcoal, Matt White (made up of 11144 + 11137)	24.55	233.76	2226.28							A
11216	Square Smart Fix 60mm Bracket Slotted for Metropole Bracket Set in Silver and White (made up of 11145 + 11137)	15.47	147.35	1403.30							A
11216	Square Smart Fix 60mm Bracket Slotted for Metropole Bracket Set in Black, Matt White, Ecu, Gunmetal, Charcoal, Bronze, Antique Bronze, Anodic Grey, Slate Grey, Ochre, Sand, Taupe (made up of 11145 + 11137)	17.34	165.11	1572.47							A
11216	Square Smart Fix 60mm Bracket Slotted for Metropole Bracket Set in Chrome effect (made up of 11145 + 11137)	28.89	275.18	2620.78							A
11217	Square Smart Fix 80mm Bracket Slotted for Metropole Bracket Set in Silver and White (made up of 11146 + 11137)	16.08	153.17	1458.76							A
11217	Square Smart Fix 80mm Bracket Slotted for Metropole Bracket Set in Black, Matt White, Ecu, Gunmetal, Charcoal, Bronze, Antique Bronze, Anodic Grey, Slate Grey, Ochre, Sand, Taupe (made up of 11146 + 11137)	17.95	170.93	1627.94							A
11217	Square Smart Fix 80mm Bracket Slotted for Metropole Bracket Set in Chrome effect (made up of 11146 + 11137)	29.44	280.42	2670.70							A
11218	Square Smart Fix 100mm Bracket Slotted for Metropole Bracket Set in Silver and White (made up of 11147 + 11137)	16.94	161.32	1536.42							A
11218	Square Smart Fix 100mm Bracket Slotted for Metropole Bracket Set in Black, Matt White, Ecu, Gunmetal, Charcoal, Bronze, Antique Bronze, Anodic Grey, Slate Grey, Ochre, Sand, Taupe (made up of 11147 + 11137)	18.80	179.09	1705.59							A
11218	Square Smart Fix 100mm Bracket Slotted for Metropole Bracket Set in Chrome effect (made up of 11147 + 11137)	29.99	285.67	2720.62							A
11230	Recess profile white, black for 6870 and 3870, in 6 meter lengths						22.94				A
11230	Recess profile white, black for 6870 and 3870, cut to size						25.23				A
11231	Recess profile, white, black for 6465, in 6 meter lengths						16.53				A
11231	Recess profile, white, black for 6465, cut to size						18.18				A
11233	Endcover with screw, white, black silver for 6870	8.41	80.16	763.33							A
11233	Endcover with screw, matt white, anodic grey, antique bronze and charcoal	9.98	94.99	904.69							A
11235	Endcover with screw white, black or silver for 6970	11.34	108.00	1028.55							A
11237	Recess Wedge, white, black	0.78									A
11238	Recess Mask, white, black for 3870 and 6870	4.09									A
11239	Recess Mask, white, black	2.09									A
11260	Gateway	996.24									C
11261	Gateway KNX	1198.18									C
11262	Expansion unit	969.31									C
11263	Power supply 24V DC 2 ampere DIN rail	92.74									C
11264	Power supply 24V DC 3.8 ampere DIN rail	113.24									C
11265	Power supply 24V DC 5 ampere DIN rail	119.86									C
11266	Power supply 24V DC 10 ampere DIN rail	221.06									C
11270	SMART module set white	262.53									C
11270	SMART module set black	315.04									C
11281	Cabinet up to 8 shading device unit including circuit breaker protection	3005.93									C
11282	Cabinet up to 24 shading device unit including circuit breaker protection	3876.34									C
11283	Cabinet up to 56 shading device unit including circuit breaker protection	7347.83									C
11285	Guide set white, black and silver for 3870	36.90	351.38								A
11285	Guide set matt white, anodic grey, antique bronze and charcoal	49.29	469.44								A
11289	Cable with plug	45.60									C
11295	Endstop, silver	0.93	8.87								A

Price Index for Rails & Parts

All prices shown
exclude V.A.T.

Product	Description	Unit Prices					Per Metre Price				Qty
		Each	Per 10	Per 100	Other Qty	Price	1m	100m	Other Lgth	Price	
11295	Endstop, white	1.19	11.33								A
11295	Endstop, black	1.35	12.81								A
11301	2C glider in strip form, white, black				1000.00	342.49					A
11302	Wave 2C glider-cord, 80mm pitch, white, black 50mm rolls only							50m	866.70		A
11303	Wave 2C glider-cord, 60mm pitch, white, black 50mm rolls only							50m	1138.45		A
11314	Master carrier for 3970	15.39	146.61								C
11315	Guide set white for 3970	64.58									C
11318	4-Pin connector for 5600 SMART module	12.52									C
11319	4-Pin connector for 5600 SMART motor (Room / control side)	12.52									C
11320	4-Pin connector for 5600 SMART motor (Motor side)	18.78									C
11325	6 - Pin connector for Gateway and Expansion unit	16.55									C
11326	Antenna Cable 40-Series	2.97									C
11327	Dry Contact Cable 40-Series / 50 Series	5.85									C
11335	Endstop, silver	1.31		118.46							A
11335	Endstop, black	1.56		142.47							A
11335	Endstop, white	1.42		129.40							A
11411	Radio module set, white, grey (compatible with Control R)	228.65									C
11411	Radio module set, black (compatible with Control R)	274.37									C
11412	Power supply 24V DC	80.49									C
11429	Timer White	165.11									A
11465	Spring Stop for SG 6970	2.80									C
11472	Square Smart Fix Adjustable Metropole Bracket Set in White or Silver (made up of 11483 + 11137)	16.76	159.70	1520.85							A
11472	Square Smart Fix Adjustable Metropole Bracket Set in Black, Matt White, Ecu, Gunmetal, Charcoal, Bronze, Antique Bronze, Anodic Grey, Slate Grey, Ochre, Sand, Taupe (made up of 11483 + 11137)	18.63	177.47	1690.03							A
11472	Square Smart Fix Adjustable Metropole Bracket Set in Chrome effect (made up of 11483 + 11137)	37.24	354.92	3380.05							A
11483	Square Smart Fix Adjustable Extension Bracket slotted for Metropole in Silver, Black, White, Matt White, Ecu, Gunmetal, Charcoal, Bronze, Antique Bronze, Anodic Grey, Slate Grey, Ochre, Sand, Taupe (Set equivalent 11472)	9.85	93.89	894.08							A
11483	Square Smart Fix Adjustable Extension Bracket slotted for Metropole in Chrome effect (Set equivalent 11472)	23.39	223.01	2123.74							A
11601	Flush Endcap, 36mm, Silver, Black, White, Matt White, Gunmetal, Chrome effect, Antique bronze, Slate Grey, Charcoal, Anodic Grey, Bronze	10.98	107.72								A
11602	Flush Endcap, 23mm, Silver, Black, Charcoal, Ecu, White, Matt White Gunmetal, Chrome effect	12.69	124.00								A
11603	Flush Endcap, 30mm, Silver, Black, Gunmetal, White, Matt White, Charcoal, Ecu, Bronze, Antique Bronze, Anodic Grey, Slate Grey, Ochre, Sand, Taupe, Chrome effect	10.83	102.70								A
11605	Flush Endcap, 50mm, Silver, White, Matt White, Ecu, Black	33.72	330.51								A
11605	Flush Endcap, 50mm, Antique Bronze, Anodic Grey, Slate Grey, Taupe, Bronze	34.56	338.59								A
11606	Rail, 23mm, Silver, Black, White, Matt White, Ecu in 6 metre lengths only						27.11				A
11606	Rail, 23mm, Gunmetal, Charcoal in 6 metre lengths only Chrome effect (Chrome effect 4 metre lengths only)						37.08				A
11607	Corded profile, 50mm, Black, Ecu, White, Matt White						95.42				A
11607	Corded profile, 50mm, Antique Bronze, Bronze, Anodic Grey, Slate Grey, Taupe, Bronze						110.60				A
11609	Profile, 50mm, for 7620 Black, Ecu, Silver, White, Matt White						60.36				A
11609	Profile, 50mm, for 7620 Antique Bronze, Anodic Grey, Slate Grey, Taupe						81.81				A
11611	Stud endcap for 36mm, Antique Bronze, Anodic Grey, Black, Gunmetal, Charcoal, Silver, Slate Grey, White, Matt White, Chrome effect, Bronze (Avilable from 1st April 2022)	10.98	104.40	988.99							A
11621	Stud endcap for 23mm, Ecu, Black, Gunmetal, Charcoal, Silver, White, Matt White, Chrome effect	12.69	124.00	1153.46							A
11622	Design End cap for 23mm, White, Black, Matt White, Ecu, Gunmetal and Charcoal	17.34	165.21								A
11623	Groove cylinder finial only for 23mm, White, Black, Matt White, Ecu, Gunmetal and Charcoal - set equivalent 11723	28.85	274.64								A
11624	Glass Ball finial only clear for 23mm - set equivalent 11724	65.16	564.50								A
11626	Ball end finial only for 23mm, White, Black, Matt White, Ecu, Gunmetal and Charcoal - set equivalent 11726	47.40	451.30								A
11627	Spear finial only 23mm, White, Black, Matt White, Ecu, Gunmetal and Charcoal - set equivalent 11727	30.87	293.95								A
11628	Ellipse finial only 23mm, White, Black, Matt White, Ecu, Gunmetal and Charcoal - set equivalent 11728	20.06	190.96								A

Price Index for Rails & Parts

All prices shown
exclude V.A.T.

Product	Description	Unit Prices					Per Metre Price				Qty
		Each	Per 10	Per 100	Other Qty	Price	1m	100m	Other Lgth	Price	
11629	Taper finial only 23mm, White, Black, Matt White, Ecu, Gunmetal and Charcoal - set equivalent 11729	13.08	124.45								A
11631	Stud endcap for 30mm, Antique Bronze, Anodic Grey, Black, Bronze, Charcoal, Ecu, Gunmetal, Slate Grey, Silver, Sand, Ochre, Taupe, White, Matt White, Chrome effect	10.82	102.70	975.73							A
11632	Design end cap for 30mm, Antique Bronze, Anodic Grey, Black, Bronze, Charcoal, Ecu, Gunmetal, Slate Grey, Sand, Ochre, Taupe, White and Matt White	23.93									A
11633	Groove cylinder finial only for 30mm - set equivalent 11733 Cord, 11743 Hand	35.53	338.30								A
11634	Glass Ball finial only for 30mm, clear - equivalent set 11734 Cord, 11744 Hand	68.96	597.18								A
11636	Ball end finial only 30mm, Black, Gunmetal, White, Matt White, Charcoal, Ecu, Bronze, Antique Bronze, Anodic Grey, Slate Grey, Ochre, Sand and Taupe 30mm poles - set equivalent 11736 Cord, 11746 Hand	51.30	488.55								A
11637	Spear finial only 30mm, Antique Bronze, Anodic Grey, Black, Bronze, Charcoal, Ecu, Gunmetal, Slate Grey, Sand, Ochre, Taupe, White, Matt White - set equivalent 11737 Cord, 11747 Hand	49.97									A
11638	Ellipse finial only, 30mm, Black, White, Matt White, Ecu, Ochre, Gunmetal, Bronze, Antique Bronze, Sand, Taupe, Anodic Grey, Charcoal and Slate Grey - set equivalent 11738 Cord, 11748 Hand	29.07	276.79								A
11639	Taper finial only, 30mm, Black, White, Matt White, Ecu, Ochre, Gunmetal, Bronze, Antique Bronze, Sand, Taupe, Anodic Grey, Charcoal and Slate Grey - set equivalent 11739 Cord, 11749 Hand	14.88	141.61								A
11651	Stud endcap for 50mm, Black, Ecu, Silver, White, Matt White	33.73									A
11651	Stud endcap for 50mm, Antique Bronze, Anodic Grey, Slate Grey, Taupe, Bronze (Avaliable from 1st April 2022)	34.55									A
11652	Design end cap for 50mm, (Hand, Cord, Electric) Antique Bronze, Anodic Grey, Black, Bronze, Ecu, Silver, Slate Grey, Taupe, White and Matt White	33.95	323.28								A
11653	Groove cylinder finial only for 50mm - set equivalent 11753 for Cord, 11773 for Hand, or 11763 for Electric	77.42	737.39								A
11654	Glass Ball finial only, 50mm, Clear - set equivalent 11754 for Cord, 11774 for Hand or 11764 for Electric	130.78	1132.81								A
11656	Ball end finial only for 50mm, Antique Bronze, Anodic Grey, Black, Ecu, Slate Grey, Taupe, White and Matt White - set equivalent 11756 for Cord, 11776 for Hand or 11766 for Electric	101.79	969.52								A
11657	Spear finial only for 50mm, Antique Bronze, Anodic Grey, Black, Ecu, Slate Grey, Taupe, White and Matt White - set equivalent 11757 for Cord, 11777 for Hand or 11767 for Electric	151.63	1444.02								A
11658	Ellipse finial only for 50mm, Black, White, Matt White, Ecu, Taupe, Antique Bronze, Anodic Grey and Slate Grey - set equivalent 11758 for Cord, 11778 for Hand or 11768 for Electric	121.73	1159.37								A
11659	Taper finial only for 50mm, Black, White, Matt White, Ecu, Taupe, Antique Bronze, Anodic Grey and Slate Grey - set equivalent 11759 for Cord, 11779 for Hand or 11769 for Electric	79.90	760.99								A
11661	Cording Set without endcap for 30mm, Black, Gunmetal, White, Matt White, Charcoal, Ecu, Bronze, Antique Bronze, Anodic Grey, Slate Grey, Ochre, Sand, Taupe and Chrome effect	62.99	590.40								A
11662	Cording Set without endcap for 50mm, Black, White, Matt White, Ecu, Antique Bronze, Anodic Grey, Slate Grey, Taupe, Bronze	75.01	712.68								A
11663	Intermediate Pulley for 30mm, Antique Bronze, Anodic Grey, Black, Bronze, Charcoal, Ecu, Gunmetal, Slate Grey, Sand, Ochre, Taupe, White, Matt White, Chrome effect	85.85	858.45								A
11664	Intermediate pulley set for 50mm, White, Black, Ecu, Matt White	88.05									A
11664	Intermediate pulley set for 50mm, Taupe, Antique Bronze, Anodic Grey, Slate Grey, Bronze	97.50									A
11665	Finial connector for 23mm	2.85	27.18								A
11666	Finial connector for 30mm Cord	3.22	30.75								A
11667	Finial connector for 50mm Cord	6.01	57.22								A
11668	Top Fix Bracket, Silver, Black, Gunmetal, White, Matt White, Charcoal, Ecu, Bronze, Antique Bronze, Anodic Grey, Slate Grey, Ochre, Sand, Taupe	23.36	200.26								A
11669	Fillet Bracket, White, Silver Black, Antique Bronze, Anodic Grey, Bronze, Charcoal, Ecu, Gunmetal, Matt White, Ochre, Slate Grey, Sand, Taupe, Chrome effect	44.89	427.50								A
11700	Finial connector for 30mm Hand	3.22	30.75								A
11701	Finial Connector for 50mm Electric	6.01	57.22								A
11716	Wave single stack return pulley 30mm	35.90	341.45								A
11723	Groove cylinder finial set for 23mm, White, Black, Matt White, Ecu, Gunmetal and Charcoal - made up of 11623 + 11665	31.70	301.82								A
11724	Glass Ball finial set 23mm, clear - made up of 11624 + 11665	68.01	591.67								A
11726	Ball end finial set 23mm, White, Black, Matt White, Ecu, Gunmetal and Charcoal - made up of 11626 and 11665	50.24	478.48								A

Price Index for Rails & Parts

All prices shown
exclude V.A.T.

Product	Description	Unit Prices					Per Metre Price				Ctgy
		Each	Per 10	Per 100	Other Qty	Price	1m	100m	Other Lgth	Price	
11727	Spear finial set 23mm, White, Black, Matt White, Ecu, Gunmetal and Charcoal - made up of 11627 + 11665	33.72	321.13								A
11728	Ellipse finial set 23mm, White, Black, Matt White, Ecu, Gunmetal and Charcoal - made up of 11628 + 11665	22.91	218.14								A
11729	Taper finial set 23mm, White, Black, Matt White, Ecu, Gunmetal and Charcoal - made up of 11629 + 11665	15.93	151.63								A
11733	Groove Cylinder finial set for 30mm Cord, made up of 11633 + 11666	38.75	369.05								A
11734	Glass Ball finial clear set for 30mm Cord - made up of 11634 + 11666	72.18	627.94								A
11736	Ball End finial set, 30mm Cord Black, Gunmetal, White, Matt White, Charcoal, Ecu, Bronze, Antique Bronze, Anodic Grey, Slate Grey, Ochre, Sand and Taupe - made up of 11636 + 11666 (30mm Cord)	54.52	519.30								A
11737	Spear finial set, 30mm Cord, Antique Bronze, Anodic Grey, Black, Bronze, Charcoal, Ecu, Gunmetal, Slate Grey, Sand, Ochre, Taupe, White, Matt White, Chrome effect - made up of 11637 + 11666	53.18									A
11738	Ellipse finial set for 30mm Cord, Black, White, Matt White, Ecu, Ochre, Gunmetal, Bronze, Antique Bronze, Sand, Taupe, Anodic Grey, Charcoal and Slate Grey - made up of 11638 + 11666	32.29	307.54								A
11739	Taper finial set for 30mm Cord, Black, White, Matt White, Ecu, Ochre, Gunmetal, Bronze, Antique Bronze, Sand, Taupe, Anodic Grey, Charcoal and Slate Grey - made up of 11639 + 11666	18.09	172.37								A
11743	Groove Cylinder finial set for 30mm Hand, made up of 11633 + 11700	38.75	369.05								A
11744	Glass Ball finial clear set for 30mm Hand - made up of 11634 + 11700	72.18	627.94								A
11746	Ball End finial set, 30mm Hand, Black, Gunmetal, White, Matt White, Charcoal, Ecu, Bronze, Antique Bronze, Anodic Grey, Slate Grey, Ochre, Sand and Taupe - made up of 11636 + 11700 (30mm Hand)	54.52	519.30								A
11747	Spear finial set, 30mm Hand, Antique Bronze, Anodic Grey, Black, Bronze, Charcoal, Ecu, Gunmetal, Slate Grey, Sand, Ochre, Taupe, White and Matt White - made up of 11637 + 11700	53.18									A
11748	Ellipse finial set for 30mm Hand, Black, White, Matt White, Ecu, Ochre, Gunmetal, Bronze, Antique Bronze, Sand, Taupe, Anodic Grey, Charcoal and Slate Grey - made up of 11638 + 11700	32.29	307.54								A
11749	Taper finial set for 30mm Hand, Black, White, Matt White, Ecu, Ochre, Gunmetal, Bronze, Antique Bronze, Sand, Taupe, Anodic Grey, Charcoal and Slate Grey - made up of 11639 + 11700	18.09	172.37								A
11753	Groove cylinder finial set for 50mm Cord - made up of 11653 + 11667	83.43	794.61								A
11754	Glass Ball finial set Clear for 50mm Cord - made up of 11654 + 11667	136.78	1190.02								A
11756	Ball end finial set for 50mm Cord, Antique Bronze, Anodic Grey, Black, Ecu, Slate Grey, Taupe, White, Matt White - made up of 11656 + 11667	107.79	1026.75								A
11757	Spear finial set for 50mm Cord, Antique Bronze, Anodic Grey, Black, Ecu, Slate Grey, Taupe, White and Matt White - made up of 11657 + 11667	157.63	1501.24								A
11758	Ellipse finial set for 50mm Cord, Black, White, Matt White, Ecu, Taupe, Antique Bronze, Anodic Grey and Slate Grey - made up of 11658 + 11667	127.74	1216.58								A
11759	Taper finial set for 50mm Cord, Black, White, Matt White, Ecu, Taupe, Antique Bronze, Anodic Grey and Slate Grey - made up of 11659 + 11667	85.91	818.21								A
11763	Groove cylinder finial set for 50mm Electric - made up of 11653 + 11701	83.43	794.71								A
11764	Glass Ball finial set, 50mm (Electric), clear - made up of 11654 + 11701	136.78	1190.02								A
11766	Ball End finial set, 50mm (Electric) Antique Bronze, Bronze, Anodic Grey, Black, Ecu, Slate Grey, Taupe, White and Matt White - made up of 11656 + 11701	107.79	1026.75								A
11767	Spear finial set, 50mm (Electric) Antique Bronze, Bronze, Anodic Grey, Black, Ecu, Slate Grey, Taupe, White and Matt White - made up of 11657 + 11701	157.63	1501.24								A
11768	Ellipse finial set, 50mm (Electric) Ecu, White, Black, Matt White, Anodic Grey, Slate Grey, Antique Bronze, Bronze and Taupe - made up of 11658 + 11701	127.74	1216.58								A
11769	Taper finial set, 50mm (Electric) Ecu, White, Black, Matt White, Anodic Grey, Slate Grey, Antique Bronze, Bronze and Taupe - made up of 11659 + 11701	85.91	818.21								A
11773	Groove cylinder finial set for 50mm Hand - made up of 11653 + 11782	83.43	794.61								A
11774	Glass Ball Finial Clear set for 50mm Hand - made up of 11654 + 11782	136.78	1190.02								A
11776	Ball end finial set for 50mm Hand, Antique Bronze, Anodic Grey, Black, Ecu, Slate Grey, Taupe, White and Matt White - made up of 11656 + 11782	107.79	1026.75								A
11777	Spear finial set for 50mm Hand, Antique Bronze, Anodic Grey, Black, Ecu, Slate Grey, Taupe, White, Matt White - made up of 11657 + 11782	157.63	1501.24								A
11778	Ellipse finial set for 50mm Hand, Black, White, Matt White, Ecu, Taupe, Antique Bronze, Anodic Grey and Slate Grey - made up of 11658 + 11782	127.74	1216.58								A
11779	Taper finial set for 50mm Hand, Black, White, Matt White, Ecu, Taupe, Antique Bronze, Anodic Grey and Slate Grey - made up of 11659 + 11782	85.91	818.21								A
11782	Finial connector for 50mm Hand	6.01	57.22								A
11783	Connecting Bridge for 50mm Hand, Antique Bronze, Bronze, Anodic Grey, Black, Ecu, Silver, Slate Grey, Taupe, White, Matt White	36.69									A
11795	Wedge white, grey, black	7.12									C
11843	Recess box left, white, silver, black (box right 11846)	106.97									C

All prices shown
exclude V.A.T.

Price Index for Rails & Parts

Product	Description	Unit Prices					Per Metre Price				Ctgy
		Each	Per 10	Per 100	Other Qty	Price	1m	100m	Other Lgth	Price	
11846	Recess box right, white, silver, black (box left 11843)	106.97									C
11847	Bottom weight for chain white, black	1.46									C
11849	Bottom weight white, black	1.46									C
11851	Bottom link white, black							250m	340.00		C
11865	Recess profile 6m white, silver, black						54.18				C
11866	Recess profile 6m white, silver, black						36.82				C
11885	Recess mask, white, grey, black	4.94									C
11886	Recess mask, white, grey, black	6.98									C
11887	Cover white, grey, black	5.56									C
11888	Cover white, grey, black	3.58									C
11900	Move 4.0 Server Unit	412.00									C
11931	1 Channel remote, black or white	122.72									C
11932	6 Channel remote, black or white	155.79									C
11936	1 Channel wall switch white	101.97									C
11937	6 Channel wall switch white	141.58									C
11938	External Receiver 433MHZ BIDI	151.93									C
11939	Radio module set, white, grey (compatible with Control N)	228.65									C
11939	Radio module set, black (compatible with Control N)	274.38									C
11946	Control Unit DC24v	174.38									C
20336	Eight channel hand held remote	242.33									C
20907	Control module for 24v dc switched motors	427.99									C
20913	Single-channel wall switch, antique brass, black nickle, chocolate bronze, matt black, matt white, polished brass, brushed silver, mirror finish	328.26									C
20914	Eight-channel wall switch, antique brass, black nickle, chocolate bronze, matt black, matt white, polished brass, brushed silver, mirror finish	328.26									C
20917	White pattress box	27.72									C
20919	Control Module for mains switched motors	396.44									C

Application Chart for Silent Gliss® Switches, Remote Control and Multiple Operation of Motorised Systems

	Radio Control System R			Radio Control System N			*SMART	System
	Fixed Switch (Hard Wired)	Hand Held Remotes/Receiver	Wall Switched	Move Server Unit	Hand Held Remote/Receiver	Wall Switches & Light Sensors	Via Gateway	
	Motor 2160 0615/6/7/8/9 Latching	Remote 20336 Receiver 20919	Wall Switch 20913/ 20914 Receiver 20919	✓	Remote 11931/11932 Receiver 11938	Wall Switch 11936/11937 Receiver 11938	n/a	2195
	Motor 10522 0615/6/7/8/9 Latching	Motor 10522 Remote 20336 Receiver 20919	Motor 10522 Wall Switch 20913/ 20914 Receiver 20919	✓	Motor 11943/11944 Remote 11931/11932 Receiver Integrated	Motor 11943/11944 Wall Switch 11936/11937 Receiver Integrated	11251	2360
	Motor 11949 Consult Silent Gliss	Motor 11949 Consult Silent Gliss	Motor 11949 Consult Silent Gliss	✓	Motor 11949 Remote 11931/11932 Receiver Integrated	Motor 11949 Wall Switch 11936/11937 Receiver Integrated	11251	2960
	Motor 10522 0615/6/7/8/9 Latching	Motor 10522 Remote 20336 Receiver 20919	Motor 10522 Wall Switch 20913/ 20914 Receiver 20919	✓	Motor 11943/11944 Remote 11931/11932 Receiver Integrated	Motor 11943/11944 Wall Switch 11936/11937 Receiver Integrated	11251	4760
	Motor 10522 0615/6/7/8/9 Latching	Motor 10522 Remote 20336 Receiver 20919	Motor 10522 Wall Switch 20913/ 20914 Receiver 20919	✓	Motor 11943/11944 Remote 11931/11932 Receiver Integrated	Motor 11943/11944 Wall Switch 11936/11937 Receiver Integrated	11251	4770
	Motor 10522 0615/6/7/8/9 Latching	Motor 10522 Remote 20336 Receiver 20919	Motor 10522 Wall Switch 20913/ 20914 Receiver 20919	✓	Motor 11943/11944 Remote 11931/11932 Receiver Integrated	Motor 11943/11944 Wall Switch 11936/11937 Receiver Integrated	11251	4780
	Motor 10320 0615/6/7/8/9 Latching	Motor 10320 Remote 20336 Receiver 20919	Motor 10320 Wall Switch 20913/ 20914 Receiver 20919	✓	Motor 11941/11942 Remote 11931/11932 Receiver Integrated	Motor 11941/11942 Wall Switch 11936/11937 Receiver Integrated	11250	4960
	Motor 10522 0615/6/7/8/9 Latching	Motor 10522 Remote 20336 Receiver 20919	Motor 10522 Wall Switch 20913/ 20914 Receiver 20919	✓	Motor 11943/11944 Remote 11931/11932 Receiver Integrated	Motor 11943/11944 Wall Switch 11936/11937 Receiver Integrated	11251	4970
	Motor 11725 0615/6/7/8/9 Latching	Motor 11725 Remote 20336 Receiver 20919	Motor 11725 Wall Switch 20913/ 20914 Receiver 20919	✓	Motor 11947/11948 Remote 11931/11932 Receiver Integrated	Motor 11947/11948 Wall Switch 11936/11937 Receiver Integrated	11255	4980
	Motor 11725 0615/6/7/8/9 Latching	Motor 11725 Remote 20336 Receiver 20919	Motor 11725 Wall Switch 20913/ 20914 Receiver 20919	✓	Motor 11947/11948 Remote 11931/11932 Receiver Integrated	Motor 11947/11948 Wall Switch 11936/11937 Receiver Integrated	11255	4985
9060	Motor 9060 0615/6/7/8/9	Motor 9060 Remote 20336 Receiver Module 11411	Motor 9060 Remote 20336 Receiver Module 11411	✓	Motor 9060 Remote 11931/11932 Receiver Module 11939	Motor 9060 Wall Switch 11936/11937 Receiver Module 11939	11270	5600
5805	0615/6/7/8/9 Latching	n/a	n/a	✓	Remote 11931/11932 Receiver Modules 11938	Wall Switch 11936/11937 Receiver 11938	n/a	5800
8060	0928 5 Position	Motor 8060 Remote 20336 Receiver 20907 (Pulse Enabled)	Wall Switch 20913/20914 Receiver 20907 (Pulse Enabled)	✓	Remote 11931/11932 Receiver Modules 11938 + 11946	Wall Switch 11936/11937 Receiver Modules 11938/11946	n/a	8250

Refer to Page 26 for SMART components.

Application Chart for Silent Gliss® Switches, Remote Control and Multiple Operation of Motorised Systems

Motor Number	Fixed Switch (Hard Wired)	Radio Control Systems R			Radio Control Systems N			*SMART	System
		Hand Held Remotes	Wall Switched	Move Server Unit	Hand Held Remote	Wall Switches & Light Sensors	Via Gateway		
8605	0615/6/7/8/9 Latching	Wall Switch 20913/20914 Receiver 20919	Wall Switch 20913/20914 Receiver 20919	✓	Remote 11931/11932 Receiver 11938	Wall Switch 11936/11937 Receiver 11938	n/a	8600	
	0615/6/7/8/9 Latching	Wall Switch 20913/20914 Receiver 20919	Wall Switch 20913/20914 Receiver 20919	✓	Remote 11931/11932 Receiver 11938	Wall Switch 11936/11937 Receiver 11938	n/a	8640	
11095	0613 5 Position	Wall Switch 20913/20914 Receiver 20919	Wall Switch 20913/20914 Receiver 20919	✓	Remote 11931/11932 Receiver 11938	Wall Switch 11936/11937 Receiver 11938	n/a	8960	
				✓	Motor 11926 Remote 11931/11932	Motor 11926 Wall switch 11936/11937	n/a	4955	
				✓	Motor 11926 Remote 11931/11932	Motor 11926 Wall switch 11936/11937	n/a	2355	

Application Chart for Remote Control Switches and Wall Plates for SG5100, Control A

Motor	Hand Wired Switch	Wall Plates	Hand Held Remote	Timer and Control	
5190	n/a	10949, 10950, 10951	10946, 10947, 10948		5100B
5190	n/a	10949, 10950, 10951	10946, 10947, 10948	11429	5100R
5190	n/a	10949, 10950, 10951	10946, 10947, 10948	11429	5100T
5190	n/a	10949, 10950, 10951	10946, 10947, 10948	11429	5100TC



For motor types and connections see wiring diagrams.

Terms & Conditions of Trading with Silent Gliss Ltd

The buyer's attention is in particular drawn to the provisions of condition 12.4.

1. INTERPRETATION

- 1.1 The definitions and rules of interpretation in this condition apply in these conditions.
Buyer: the person, firm or company who purchases the Goods and/or Services from the Company.
Company: Silent Gliss Ltd.
Contract: any contract between the Company and the Buyer for the sale and purchase of the Goods and/or provision of Services, incorporating these conditions.
Delivery Point: the place where delivery of the Goods is to take place under condition 4.
Goods: any goods agreed in the Contract to be supplied to the Buyer by the Company (including any part or parts of them).
Services: any installation services agreed in the Contract to be supplied to the Buyer by the Company.
- 1.2 A reference to a particular law is a reference to it as it is in force for the time being taking account of any amendment, extension, application or re-enactment and includes any subordinate legislation for the time being in force made under it.
- 1.3 Words in the singular include the plural and in the plural include the singular.
- 1.4 A reference to one gender includes a reference to the other gender.
- 1.5 Condition headings do not affect the interpretation of these conditions.

2. APPLICATION OF TERMS

- 2.1 Subject to any variation under condition 2.3 the Contract shall be on these conditions to the exclusion of all other terms and conditions (including any terms or conditions which the Buyer purports to apply under any purchase order, confirmation of order, specification or other document).
- 2.2 No terms or conditions endorsed on, delivered with or contained in the Buyer's purchase order, confirmation of order, specification or other document shall form part of the Contract simply as a result of such document being referred to in the Contract.
- 2.3 These conditions apply to all the Company's sales and any variation to these conditions and any representations about the Goods and/or Services shall have no effect unless expressly agreed in writing and signed by the Sales Director of the Company. The Buyer acknowledges that it has not relied on any statement, promise or representation made or given by or on behalf of the Company which is not set out in the Contract. Nothing in this condition shall exclude or limit the Company's liability for fraudulent misrepresentation.
- 2.4 Each order or acceptance of a quotation for Goods and/or Services from the Company shall be deemed to be an offer by the Buyer to buy Goods and/or Services subject to these conditions.
- 2.5 No order placed by the Buyer shall be deemed to be accepted by the Company until a written acknowledgement of order is issued by the Company or (if earlier) the Company delivers the Goods to and/or carries out the Services for the Buyer.
- 2.6 The Buyer shall ensure that the terms of its order and any applicable specification are complete and accurate.
- 2.7 Any quotation is given on the basis that no Contract shall come into existence until the Company despatches an acknowledgement of order to the Buyer. Any quotation is valid for a period of 60 days only from its date, provided that the Company has not previously withdrawn it.

3. DESCRIPTION

- 3.1 The quantity and description of the Goods and/or Services shall be as set out in the Company's quotation or acknowledgement of order.
- 3.2 All samples, drawings, descriptive matter, specifications and advertising issued by the Company and any descriptions or illustrations contained in the Company's catalogues or brochures are issued or published for the sole purpose of giving an approximate idea of the Goods described in them. They shall not form part of the Contract and this is not a sale by sample.

4. DELIVERY

- 4.1 Unless otherwise agreed in writing by the Company, delivery of the Goods shall take place at the time the Goods have been unloaded at the delivery address nominated by the Buyer.
- 4.2 The Buyer shall take delivery of the Goods within 30 days of the Company giving it notice that the Goods are ready for delivery.

- 4.3 Any dates specified by the Company for delivery of the Goods or commencement or duration for performance of the Services are intended to be an estimate and time for delivery and/or performance shall not be made of the essence by notice. If no dates are so specified, delivery and/or performance shall be within a reasonable time.
- 4.4 Subject to the other provisions of these conditions the Company shall not be liable for any direct, indirect or consequential loss (all three of which terms include, without limitation, pure economic loss, loss of profits, loss of business, depletion of goodwill and similar loss), costs, damages, charges or expenses caused directly or indirectly by any delay in the delivery of the Goods or performance of the Services (even if caused by the Company's negligence), nor shall any delay entitle the Buyer to terminate or rescind the Contract unless such delay exceeds 60 days.
- 4.5 If for any reason the Buyer fails to accept delivery of any of the Goods when they are ready for delivery, or the Company is unable to deliver the Goods on time because the Buyer has not provided appropriate instructions, documents, licences or authorisations:

- risk in the Goods shall pass to the Buyer (including for loss or damage caused by the Company's negligence);
- the Goods shall be deemed to have been delivered; and
- the Company may store the Goods until delivery, whereupon the Buyer shall be liable for all related costs and expenses (including, without limitation, storage and insurance).

- 4.6 If the Company delivers to the Buyer a quantity of Goods of up to 5% more or less than the quantity accepted by the Company, the Buyer shall not be entitled to object to or reject the Goods or any of them by reason of the surplus or shortfall and shall pay for such goods at the pro rata Contract rate.

- 4.7 The Company may deliver the Goods by separate instalments. Each separate instalment shall be invoiced and paid for in accordance with the provisions of the Contract.

- 4.8 Each instalment shall be a separate Contract and no cancellation or termination of any one Contract relating to an instalment shall entitle the Buyer to repudiate or cancel any other Contract or instalment.

5. CANCELLATIONS AND RETURNS

The Buyer shall not be entitled to cancel any Contract or return Goods for refund without the prior written consent of the Company (which will be the absolute discretion of the Company) and payment of a handling charge of 20% of the Price in respect of ex stock items and in the case of made-to-measure items a percentage of the Price dependent upon the stage of manufacture reached at the point of cancellation.

6. NON-DELIVERY

- 6.1 The quantity of any consignment of Goods as recorded by the Company upon despatch from the Company's place of business shall be conclusive evidence of the quantity received by the Buyer on delivery unless the Buyer can provide conclusive evidence proving the contrary.
- 6.2 The Company shall not be liable for any non-delivery of Goods (even if caused by the Company's negligence) unless the Buyer gives written notice to the Company of the non-delivery within 7 days of the date when the Goods would in the ordinary course of events have been received.
- 6.3 Any liability of the Company for non-delivery of the Goods shall be limited to replacing the Goods within a reasonable time or issuing a credit note at the pro rata Contract rate against any invoice raised for such Goods.

7. INSTALLATION

- 7.1 All costs in relation to Installation by the Company shall be payable by the Buyer in addition to the price of the Goods. The following standard charges apply (duration of each installation is dependent on the type of work being carried out):

- £470 + VAT per day (per engineer)
- £320 + VAT per ½ day (per engineer)
- £320 + VAT Service Callout (parts not included)

Any installations greater than 4m in height please contact us directly as this may incur additional access equipment charges.

- 7.2 The Buyer shall be solely responsible for ensuring that its site and adequate and safe access thereto is ready for installation of the Goods. Fixing points must be adequate for the proper and secure installation of the Goods. The Buyer must pay for the cost of any modification to its site or the Goods that is required to enable the Goods to be properly installed.

- 7.3 The Buyer shall be solely responsible for all ancillary work required and costs incurred in connection with installation of Goods, including (without limitation) access, scaffolding hire, electrical work, decorating, or making good.
- 7.4 The Buyer shall advise the Company of any hidden obstruction (including without limitation, electricity, telephone and other communications cables and water, gas and drainage pipes) that may be encountered during installation of the Goods. The Company will not be liable for any damage to any structure, surface or service. The Buyer will pay all costs incurred by the Company in consequence of any damage to any hidden obstruction and will indemnify the Company against all liability, loss, cost and expense that it incurs arising out of or in consequence of installation of the Goods or damage to any structure, surface or service.
- 7.5 At all times, suppliers must comply with the Regulations. The Regulations provide that the Suppliers performing the installation services must fit any safety device supplied with the Goods.
- (a) In the event that the Customer should refuse to allow the Supplier to fit any such safety device accompanying the Goods, then the Supplier will be at liberty to refuse to carry out the Services. In such instance, the Customer will still be liable to pay the Supplier the Price in full under the Contract.
- (b) The Customer shall not be entitled to treat the Suppliers refusal to carry out any Services in relation to the Goods for the reasons set out in this clause 7.4 as a fundamental or any breach of contract. The Customer will still be bound under the Contract to take delivery of the Goods.
- 7.6 The parties to the contract consider the provisions of this clause 7.4 to be reasonable under all the circumstances given the Supplier's obligations under the Regulations.
- 8. RISK/TITLE**
- 8.1 The Goods are at the risk of the Buyer from the time of delivery.
- 8.2 Ownership of the Goods shall not pass to the Buyer until the Company has received in full (in cash or cleared funds) all sums due to it in respect of:
- (a) the Goods; and
- (b) all other sums which are or which become due to the Company from the Buyer on any account.
- 8.3 Until ownership of the Goods has passed to the Buyer, the Buyer shall:
- (a) hold the Goods on a fiduciary basis as the Company's bailee;
- (b) store the Goods (at no cost to the Company) separately from all other goods of the Buyer or any third party in such a way that they remain readily identifiable as the Company's property;
- (c) not destroy, deface or obscure any identifying mark or packaging on or relating to the Goods; and
- (d) maintain the Goods in satisfactory condition and keep them insured on the Company's behalf for their full price against all risks to the reasonable satisfaction of the Company. On request the Buyer shall produce the policy of insurance to the Company.
- 8.4 The Buyer may resell the Goods before ownership has passed to it solely on the following conditions:
- (a) any sale shall be effected in the ordinary course of the Buyer's business at full market value; and
- (b) any such sale shall be a sale of the Company's property on the Buyer's own behalf and the Buyer shall deal as principal when making such a sale.
- 8.5 The Buyer's right to possession of the Goods shall terminate immediately if:
- (a) the Buyer has a bankruptcy order made against him or makes an arrangement or composition with his creditors, or otherwise takes the benefit of any statutory provision for the time being in force for the relief of insolvent debtors, or (being a body corporate) convenes a meeting of creditors (whether formal or informal), or enters into liquidation (whether voluntary or compulsory) except a solvent voluntary liquidation for the purpose only of reconstruction or amalgamation, or has a receiver and/or manager, administrator or administrative receiver appointed of its undertaking or any part thereof, or documents are filed with the court for the appointment of an administrator of the Buyer or notice of intention to appoint an administrator is given by the Buyer or its directors or by a qualifying floating charge holder (as defined in paragraph 14 of Schedule B1 to the Insolvency Act 1986), or a resolution is passed or a petition presented to any court for the winding-up of the Buyer or for the granting of an administration order in respect of the Buyer, or any proceedings are commenced relating to the insolvency or possible insolvency of the Buyer; or
- (b) the Buyer suffers or allows any execution, whether legal or equitable, to be levied on his/its property or obtained against him/it, or fails to observe or perform any of his/its obligations under the Contract or any other contract between the Company and the Buyer, or is unable to pay its debts within the meaning of section 123 of the Insolvency Act 1986 or the Buyer ceases to trade; or
- c) the Buyer encumbers or in any way charges any of the Goods.
- 8.6 The Company shall be entitled to recover payment for the Goods notwithstanding that ownership of any of the Goods has not passed from the Company.
- 8.7 The Buyer grants the Company, its agents and employees an irrevocable licence at any time to enter any premises where the Goods are or may be stored in order to inspect them, or, where the Buyer's right to possession has terminated, to recover them.
- 8.8 Where the Company is unable to determine whether any Goods are the goods in respect of which the Buyer's right to possession has terminated, the Buyer shall be deemed to have sold all goods of the kind sold by the Company to the Buyer in the order in which they were invoiced to the Buyer.
- 8.9 On termination of the Contract, howsoever caused, the Company's (but not the Buyer's) rights contained in this condition 8 shall remain in effect.
- 9. PRICE**
- 9.1 Unless otherwise agreed by the Company in writing, the price for the Goods and/or Services shall be the price set out in the Company's price list published on the date of delivery or deemed delivery.
- 9.2 The price for the Goods and/or Services shall be exclusive of any value added tax.
- 9.3 All costs or charges in relation to carriage and insurance during transit shall be payable by the Buyer in addition to the price of the Goods when it is due to pay for the Goods where the price of the Goods in any Contract is less than £400 before value-added tax, and in all other cases such costs or charges shall be borne by the Company.
- 9.4 For shipments outside UK mainland, i.e. Highlands, Channel Islands, the Company reserves the right to charge a delivery supplement.
- 10. PAYMENT**
- 10.1 Subject to condition 10.4 payment of the price for the Goods and/or services is due 30 days from the date of invoice unless otherwise agreed.
- 10.2 Time for payment shall be of the essence.
- 10.3 No payment shall be deemed to have been received until the Company has received cleared funds.
- 10.4 All payments payable to the Company under the Contract shall become due immediately on its termination despite any other provision.
- 10.5 The Buyer shall make all payments due under the Contract in full without any deduction whether by way of set-off, counterclaim, discount, abatement or otherwise unless the Buyer has a valid court order requiring an amount equal to such deduction to be paid by the Company to the Buyer.
- 10.6 If the Buyer fails to pay the Company any sum due pursuant to the Contract, the Buyer shall be liable to pay interest to the Company on such sum from the due date for payment at the annual rate of 1.5% per month, accruing on a daily basis until payment is made, whether before or after any judgment.
- 11. QUALITY**
- 11.1 The Company warrants that (subject to the other provisions of these conditions):
- (a) upon delivery, and for a period of five years from the date of delivery the Goods shall
- (i) be of satisfactory quality within the meaning of the Sale of Goods Act 1979;
- (ii) be reasonably fit for purpose; and
- (b) the Services shall be performed with reasonable skill and care.
- (c) This warranty applies to hardware only. Fabric is subject to suppliers' guarantees.
- 11.2 The Company shall not be liable for a breach of any of the warranties in condition 11.1 unless:
- (a) the Buyer gives written notice of the defect to the Company, and, if the defect is as a result of damage in transit to the carrier, within 7 days of the time when the Buyer discovers or ought to have discovered the defect;
- (b) where the contract is for supply only of Goods the Company is given a reasonable opportunity after receiving the notice of examining the

- Goods and the Buyer (if asked to do so by the Company) returns such Goods to the Company's place of business at the Company's cost for the examination to take place there; and
- (c) where the Contract is for supply and installation of Goods the Company is given a reasonable opportunity after receiving notice of examining the Goods and their installation on site.
- 11.3 The Company shall not be liable for a breach of any of the warranties in condition 11.1 if:
- (a) the Buyer makes any further use of such Goods after giving such notice; or
- (b) the defect arises because the Buyer failed to follow the Company's oral or written instructions as to the storage, installation, commissioning, use or maintenance of the Goods or (if there are none) good trade practice; or
- (c) the Buyer alters or repairs such Goods without the written consent of the Company.
- 11.4 Subject to condition 11.2 and condition 11.3, if any of the Goods and/or Services do not conform with any of the warranties in condition 11.1 the Company shall
- (a) if the Contract is for supply only of Goods, at its option repair or replace such Goods (or the defective part) or refund the price of such Goods at the pro rata Contract rate provided that, if the Company so requests, the Buyer shall, at the Company's expense, return the Goods or the part of such Goods which is defective to the Company;
- (b) if the Contract includes installation of Goods by the Company, the Services shall be reperformed by the Company on site until such Services are in conformity or at the Company's option it may pay for the Services to be performed again.
- 11.5 If the Company complies with condition 11.4 it shall have no further liability for a breach of any of the warranties in condition 11.1 in respect of such Goods and/or Services.
- 11.6 Any Goods replaced shall belong to the Company and any repaired or replacement Goods shall be guaranteed on these terms for the unexpired portion of the five year period.
- 11.7 The Buyer is responsible for ensuring the suitability of and absence from manufacturing flaws in any fabric supplied by the Buyer and for marking any such flaws. The Company is not responsible for the performance of any fabric supplied by the Buyer, including (without limitation) its adhesive capabilities when attaching bond cloth, shrinkage, matching of patterns and manufacture into roller blinds. The Buyer is responsible for all fabric and labour costs of remedying fabric flaws discovered by the Company in the course of manufacturing the Goods.
- 12. LIMITATION OF LIABILITY**
- 12.1 Subject to condition 4, condition 6 and condition 11, the following provisions set out the entire financial liability of the Company (including any liability for the acts or omissions of its employees, agents and sub-contractors) to the Buyer in respect of:
- (a) any breach of these conditions;
- (b) any use made or resale by the Buyer of any of the Goods, or of any product incorporating any of the Goods; and
- (c) any representation, statement or tortious act or omission including negligence arising under or in connection with the Contract.
- 12.2 All warranties, conditions and other terms implied by statute or common law (save for the conditions implied by section 12 of the Sale of Goods Act 1979) are, to the fullest extent permitted by law, excluded from the Contract.
- 12.3 Nothing in these conditions excludes or limits the liability of the Company:
- (a) for death or personal injury caused by the Company's negligence; or
- (b) under section 2(3), Consumer Protection Act 1987; or
- (c) for any matter which it would be illegal for the Company to exclude or attempt to exclude its liability; or
- (d) for fraud or fraudulent misrepresentation.
- 12.4 Subject to condition 12.2 and condition 12.3:
- (a) the Company's total liability in contract, tort (including negligence or breach of statutory duty), misrepresentation, restitution or otherwise, arising in connection with the performance or contemplated performance of the Contract shall be limited to the Contract price; and
- (b) the Company shall not be liable to the Buyer for any pure economic loss, loss of profit, loss of business, depletion of goodwill or otherwise,
- in each case whether direct, indirect or consequential, or any claims for consequential compensation whatsoever (howsoever caused) which arise out of or in connection with the Contract.
- 13. ASSIGNMENT**
- 13.1 The Company may assign the Contract or any part of it to any person, firm or company.
- 13.2 The Buyer shall not be entitled to assign the Contract or any part of it without the prior written consent of the Company.
- 14. FORCE MAJEURE**
- The Company reserves the right to defer the date of delivery or to cancel the Contract or reduce the volume of the Goods ordered by the Buyer (without liability to the Buyer) if it is prevented from or delayed in the carrying on of its business due to circumstances beyond the reasonable control of the Company including, without limitation, acts of God, governmental actions, war or national emergency, acts of terrorism, protests, riot, civil commotion, fire, explosion, flood, epidemic, lock-outs, strikes or other labour disputes (whether or not relating to either party's workforce), or restraints or delays affecting carriers or inability or delay in obtaining supplies of adequate or suitable materials, provided that, if the event in question continues for a continuous period in excess of 60 days, the Buyer shall be entitled to give notice in writing to the Company to terminate the Contract.
- 15. GENERAL**
- 15.1 Each right or remedy of the Company under the Contract is without prejudice to any other right or remedy of the Company whether under the Contract or not.
- 15.2 If any provision of the Contract is found by any court, tribunal or administrative body of competent jurisdiction to be wholly or partly illegal, invalid, void, voidable, unenforceable or unreasonable it shall to the extent of such illegality, invalidity, voidness, voidability, unenforceability or unreasonableness be deemed severable and the remaining provisions of the Contract and the remainder of such provision shall continue in full force and effect.
- 15.3 Failure or delay by the Company in enforcing or partially enforcing any provision of the Contract shall not be construed as a waiver of any of its rights under the Contract.
- 15.4 Any waiver by the Company of any breach of, or any default under, any provision of the Contract by the Buyer shall not be deemed a waiver of any subsequent breach or default and shall in no way affect the other terms of the Contract.
- 15.5 The parties to the Contract do not intend that any term of the Contract shall be enforceable by virtue of the Contracts (Rights of Third Parties) Act 1999 by any person that is not a party to it.
- 15.6 The formation, existence, construction, performance, validity and all aspects of the Contract shall be governed by English law and the parties submit to the exclusive jurisdiction of the English courts.
- 16. COMMUNICATIONS**
- 16.1 All communications between the parties about the Contract shall be in writing and delivered by hand or sent by pre-paid first class post or sent by e-mail:
- (a) (in case of communications to the Company) to its registered office or such changed address as shall be notified to the Buyer by the Company; or
- (b) (in the case of the communications to the Buyer) to the registered office of the addressee (if it is a company) or (in any other case) to any address of the Buyer set out in any document which forms part of the Contract or such other address as shall be notified to the Company by the Buyer.
- 16.2 Communications shall be deemed to have been received:
- (a) if sent by pre-paid first class post, two days (excluding Saturdays, Sundays and bank and public holidays) after posting (exclusive of the day of posting); or
- (b) if delivered by hand, on the day of delivery; or
- (c) if sent by e-mail on a working day prior to 4.00 pm, at the time of sending and otherwise on the next working day.
- 16.3 Communications addressed to the Company shall be marked for the attention of the Sales Director.



The Architects of Silence

Silent Gliss is the leading global supplier of premium interior window treatments. Since 1952 we have been tirelessly committed to the development of the worlds' smoothest, quietest systems using state of the art technology.

Driven by customer needs, Silent Gliss offers functional and durable products. Expert technical advice coupled with installation and support services complete the offer.

Silent Gliss stands for innovative, sustainable, tailor made solutions, exceptional design and first-class quality.

Silent Gliss Ltd.
Pyramid Business Park
Poorhole Lane, Broadstairs
Kent CT10 2PT
United Kingdom
T +44 1843 863571
info@silentgliss.co.uk

silentgliss.co.uk