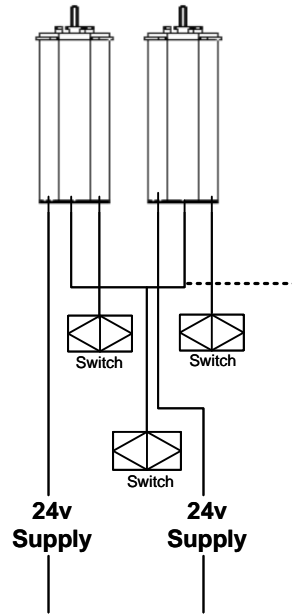
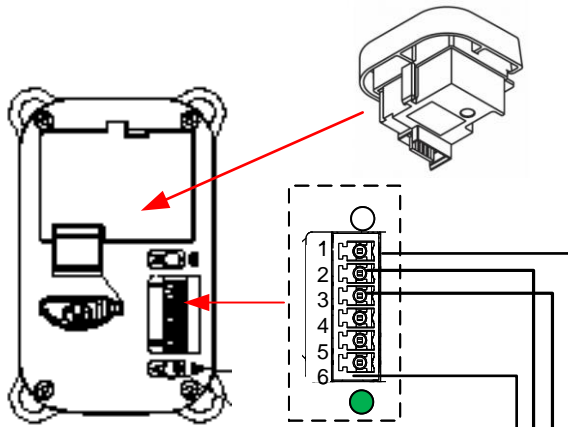


**Motor**

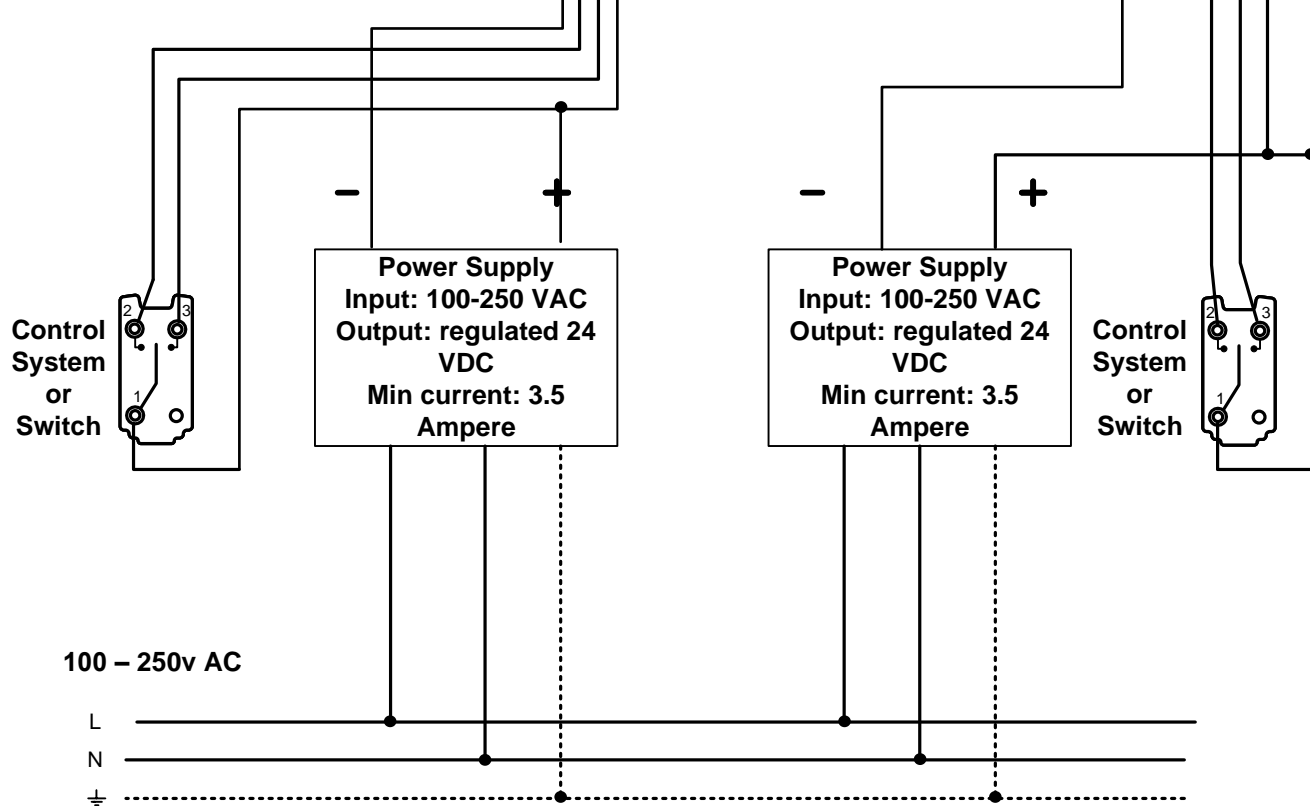


**Low Voltage Plug – Pin-outs**

- Pin 1**  
Common & +24v DC
- Pin 2**  
Open (Individual Motor)
- Pin 3**  
Close (Individual Motor)
- Pin 4**  
Open (Simultaneous)
- Pin 5**  
Close (Simultaneous)
- Pin 6**  
0v DC



**Optional**  
 SG9063 SG0450 Radio  
 Module Set  
 SG9063EL SG9940 Radio  
 Module Set



**Dip Switch Settings**

- Dip 1 - On = motor latching  
Off = motor non-latching
- Dip 2 - On = Touch & Go On  
Off = Touch & Go Off
- Dip 3 - On = Speed 21 cm / sec  
Off = Speed 15 cm / sec  
(Dip 1 setting effects dry contact switching only)

Control via Radio control in parallel possible. Refer to Diagram E302

Always read safety instruction in installation & user manual before use.

**Silent Gliss Ltd**  
 Poorhole Lane.  
 Broadstairs  
 Kent CT10 2PT  
 Tel 01843 863571  
 E-mail: info@silentgliss.co.uk  
 Web site: www.silentgliss.co.uk

**Silent Gliss Curtain Tracks – 24V DC Supply & Low Voltage Switching System SG5600,SG7650**

**Drawing Number**

**E304**

Issue Date 30/5/22  
 FRO