

Roller Blind Systems

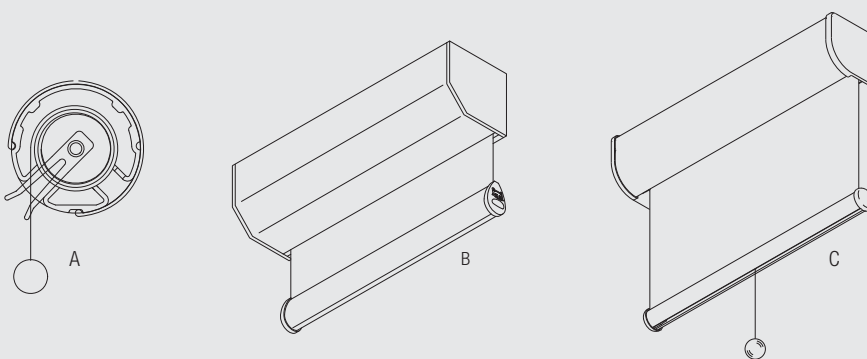


Application Chart

Operation	Dimensions					Applications Sloping Heavy Duty	Profile		Features / Options						Fitting Options			Fitting Surfaces			System
	min.	max.	max.	m ² max.	kg max.		Profile Number	Profile Diameter (ø mm)	Double Function	Design Case available	Connected Systems (one Drive)	Side by Side	Side Guides available	Fascia Cover available	Stop Controller available	Ceiling Fix	Wall Fix	Recess Fix	Wood	Concrete	
	46cm	2m	3m	6m ²	1.6kg		4227	ø 32	●		●			●	●	●		●	●	●	4140 Corazza
	60cm	2m	2m	4m ²	1.6kg	●	4227	ø 32				●			●	●	●	●	●	●	4220
	56cm	2m	3m	6m ²	1.6kg		4227	ø 32			●	●	●	●	●	●	●	●	●	●	4800
	46cm	2m	3m	6m ²	3.5kg		4801	ø 32			●	●	●		●	●	●	●	●	●	4810
	56cm	2m	3m	6m ²	1.6kg		4227	ø 32	●		●	●	●		●	●	●	●	●	●	4810 DF
	46cm	2.3m	3m	6m ²	3.5kg		4544	ø 40			●	●			●	●	●	●	●	●	4820
	50cm	3.3m	4m	10m ²	7kg		4701	ø 55		●	●	●		●	●	●	●	●	●	●	4830

Operation	Dimensions					Applications		Profile		Features / Options						Fitting Options			Fitting Surfaces			System	
	min	max	max	m ² max	kg max	Sloping	Heavy Duty	Profile Number	Profile Diameter (ø mm)	Double Function	Design Case available	Connected Systems (one Drive)	Side by Side	Side Guides available	Fascia Cover available	Stop Controller available	Ceiling Fix	Wall Fix	Recess Fix	Wood	Concrete		Suspended ceiling
	50cm	4m	6m	15m ²	12.5kg	●	●	4901	ø 80					●		●	●	●	●	●	●	●	4840
	50cm	5m	3.75m	15m ²	9.5kg			4957	ø 110														
	55cm	2.3m	3.5m	7.5m ²	7.5kg			4544	ø 40		●		●			●	●	●	●	●	●	●	4860
	60cm	3.3m	5m	14m ²	10kg	●		4701	ø 55		●		●	●		●	●	●	●	●	●	●	4870
	70cm	4m	12m	36m ²	23kg	●	●	4901	ø 80					●		●	●	●	●	●	●	4880	
	70cm	5m	9m	36m ²	23kg			4957	ø 110														

Design Case and Fascia Applications



A: Design Case 4140; applicable with systems 4800/4810DF/4850

B: Fascia cover 4702; applicable for systems 4830/4870

C: Fascia cover 4240; applicable for systems 4800/4810/4810DF